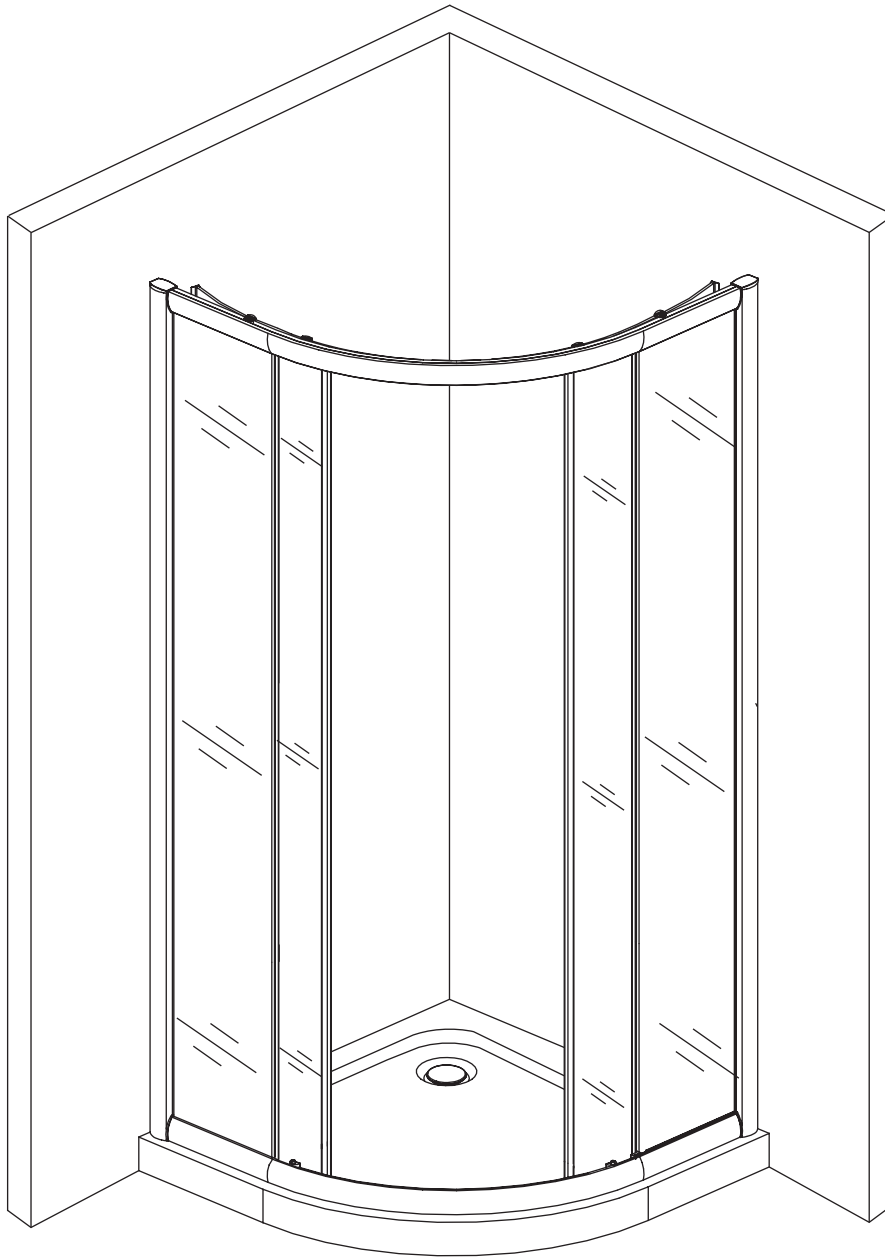




# Assembly Instructions Quadrant Shower Enclosure

---



Product Reference (Barcode) : 88505 (01062960)  
71335 (01062977)  
75320 (01062984)  
50223 (01062991)

---



# Assembly Instructions Quadrant Shower Enclosure

## Parts Supplied

Ref	Description	Illustration	Qty
A	Wall Profile		2
B	Top & Bottom Track		2
C	Fixed Glass		2
D	Movable Door		2

Ref	Description	Illustration	Qty
E	Screw Cover Cap		16
F	Wall profile Cap (Left and Right) F1		1
	Profile cap F2		2
G	Profile Splash Seal		2
H	Gasket (Left and Right)		2
			2
I	Splash Seal		4

## Fittings Supplied

Ref	Description	Illustration	Qty
J	Cross Head Screw ST4x12mm		8
K	Cross Head Screw ST4X16mm		4
L	Cross Head Screw ST4x20mm		8

Ref	Description	Illustration	Qty
M	Cross Head Screw ST4x30mm		8
N	Wall Plug		8

## Tools Required (not supplied)

Picture	Description	Picture	Description
	3mm HSS Drill Bit		Spirit Level
	6mm Drill Bit suitable for type of wall fixings to be used		Pencil
	Cross-Head #2 (6mm) Screwdriver		Rubber Mallet
	Power Drill (with hammer action)		Tape Measure
	Silicone Sealant		Scissors or Knife



# Assembly Instructions

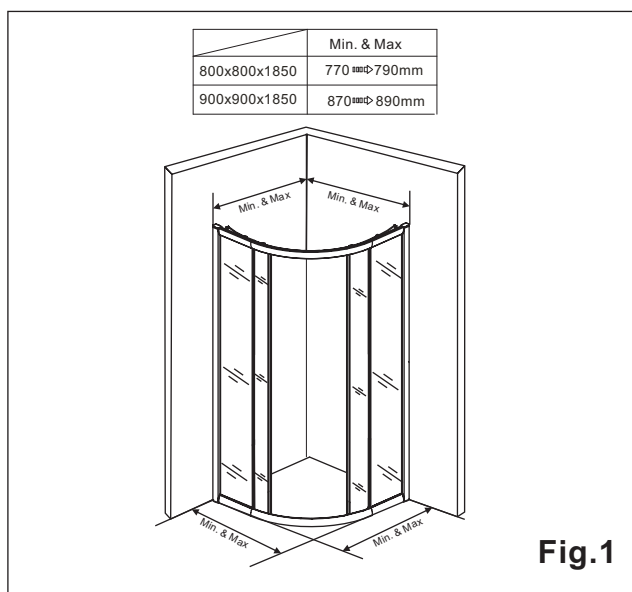
## Quadrant Shower Enclosure

### Before You Start

- **WARNING:** Please read these instructions through carefully before you start the installation. Incorrect product installation may result in serious product failure in use. Always follow the instructions and retain them for future use.
- The enclosure is designed to allow for 20mm adjustment when fitted to "out of true walls".
- The thickness of the tiles used will affect the overall position of the enclosure on the tray.
- When you are ready to start, make sure you have the right tools to hand, plenty of space and a clean dry area for assembly.
- Two people are required for assembly. Please note that although these instructions are comprehensive, it is always recommended that a technically competent installer should undertake installation.
- Ensure that the enclosure is fitted to a level tray or floor and vertical walls.
- **Please note:** The wall plugs included with this product are suitable for solid walls only. Plasterboard or stud walls may require specialized fixings which are not provided. (Always ensure that the wall plugs or fittings are correct for the wall type.)
- **Caution:** Please handle all glass with care. Any damage to the edges, or scratches to the surface that occur during assembly or normal use can cause the glass to break suddenly. Tempered glass will shatter into very small pieces that will still have sharp edges.
- **Caution:** Care should be taken when drilling into walls to avoid hidden pipes or electrical cables.
- When working near a tray or bath, ensure that the waste is covered so that small parts do not fall down it.

### Assembly

1. Before fixing the shower enclosure, ensure the shower tray at the base is properly installed and fully silicone sealed.

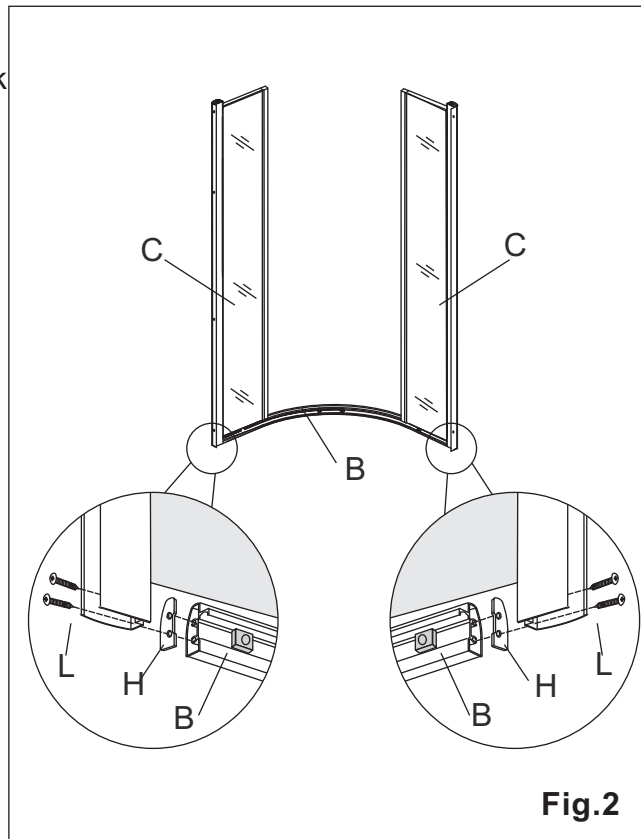




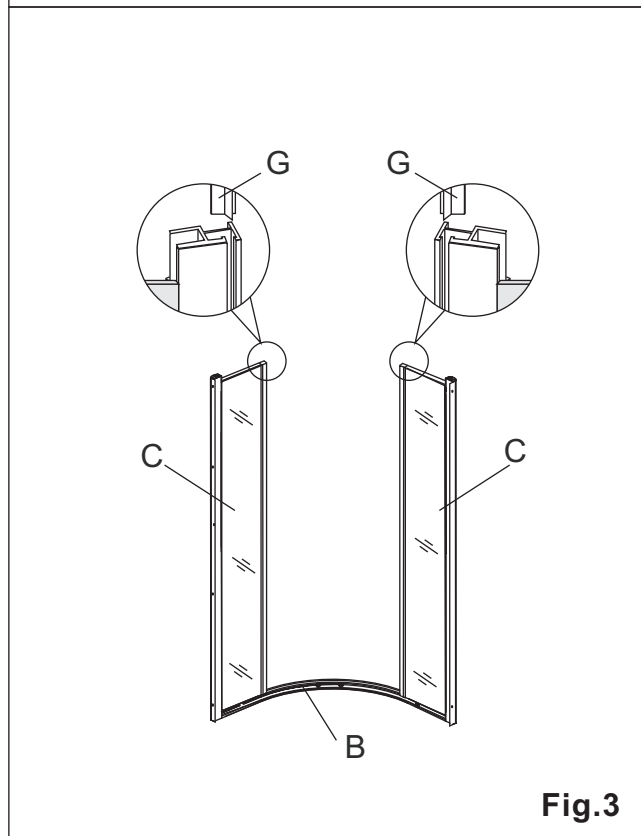
# Assembly Instructions Quadrant Shower Enclosure

2. Fit the gaskets (H) to the two ends of the bottom track (B). Fit the bottom track to the fixed glass (C). Secure them with screws ST4x20mm (L). See **Fig.2**.

Note: For patterned glass, always ensure that the pattern is on the inside.



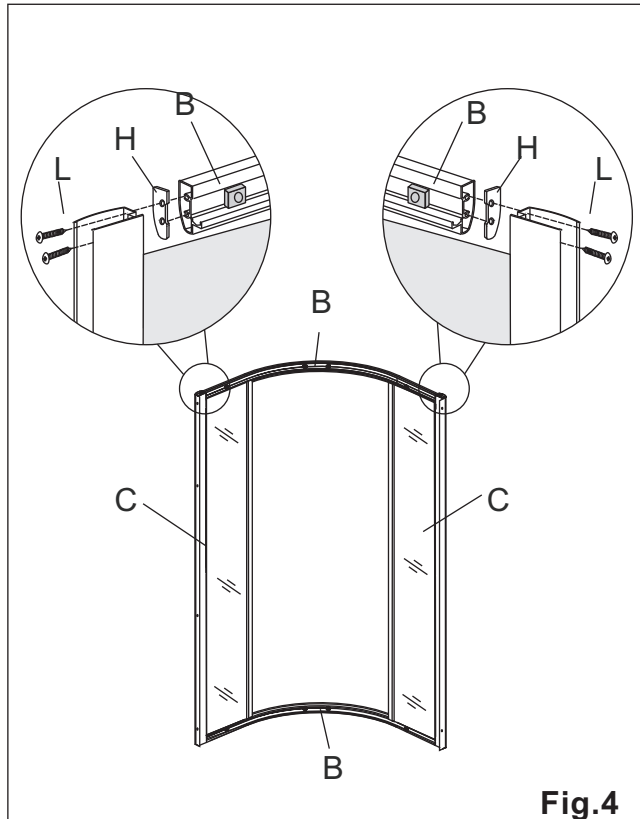
3. Insert the profile splash seal (G) into the channel on the fixed glass (C). See **Fig.3**.





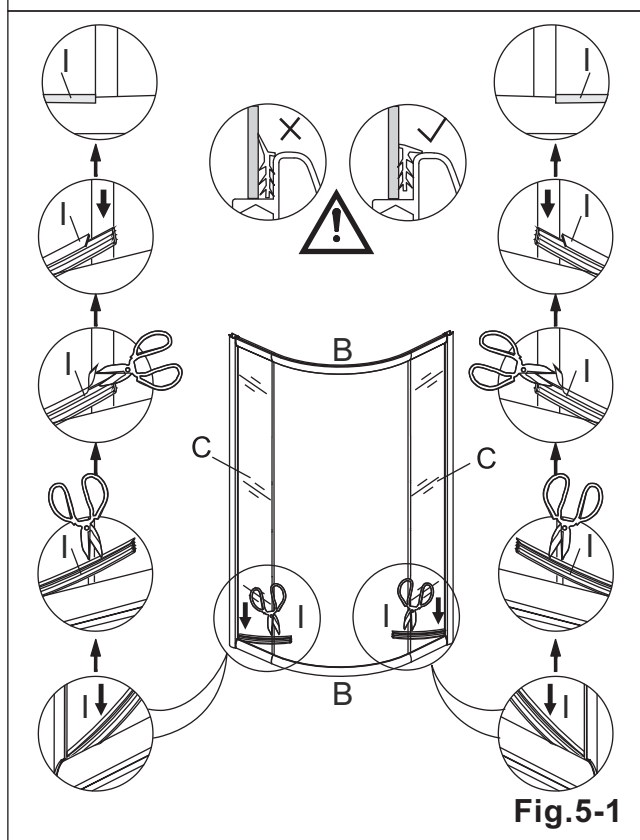
# Assembly Instructions Quadrant Shower Enclosure

4. Fit the gaskets (H) to the two ends of the top track (B). Fit the top track to the fixed glass (C). Secure them with screws ST4x20mm (L). See **Fig.4**.



5a. Using a sharp knife or scissors, insert the splash seal (I) tight into the corner of the fixed glass panel and trim it to the correct length and shape as illustrated in **Fig.5.1**.

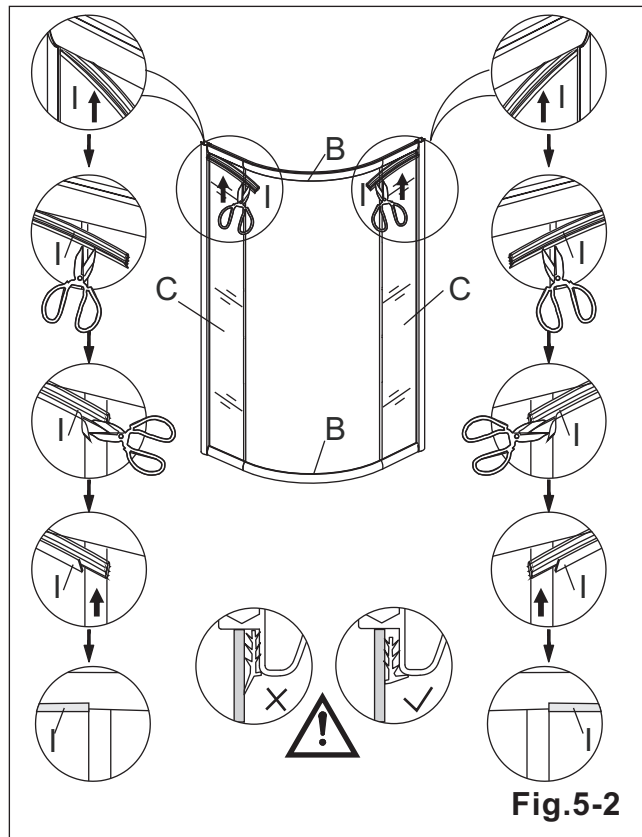
Note: Ensure the orientation of the splash seal is correct when installed.





# Assembly Instructions Quadrant Shower Enclosure

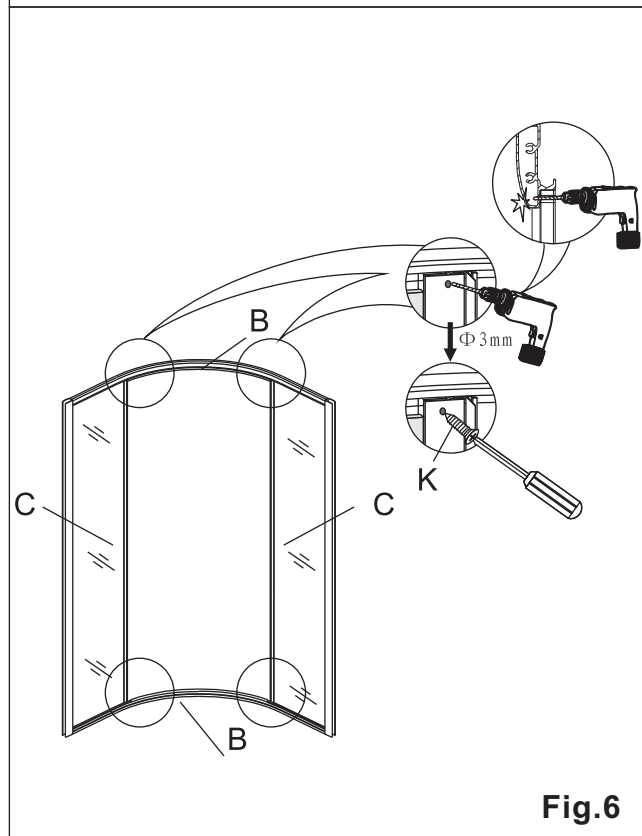
5b. Repeat the same process for the joint for the fixed glass (C) and top track frame (B). See **Fig.5-2**.



6a. Using a 3mm HSS Drill Bit, drill through the pilot holes in the top and bottom of the fixed panel seal profile , through the splash seal (I), into the top and bottom tracks. See **Fig.6**.

Note: Take care when drilling so as not to drill too deep and mark the outer surface of the top and bottom tracks.

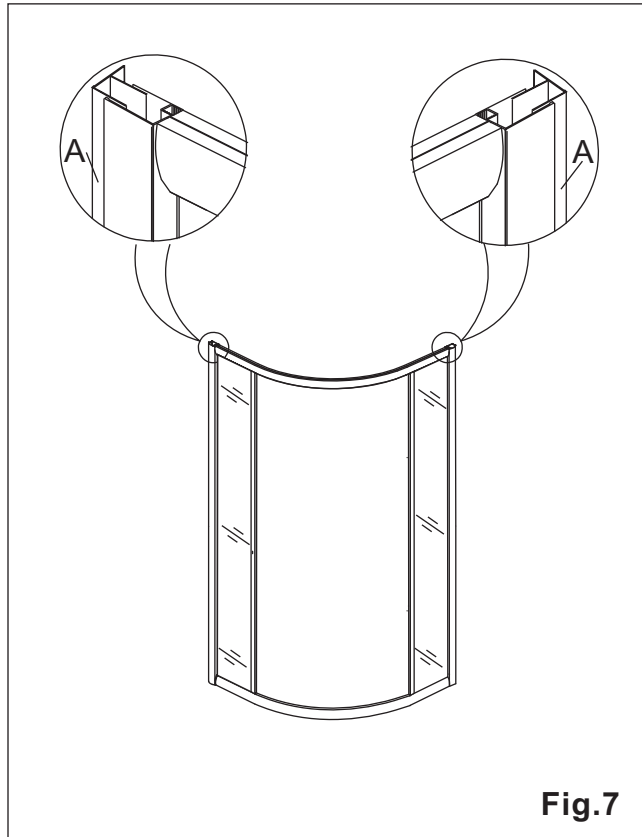
6b. Secure the fixed glass panel to the top and bottom tracks using screws ST4x16mm (K). See **Fig.6**.





## Assembly Instructions Quadrant Shower Enclosure

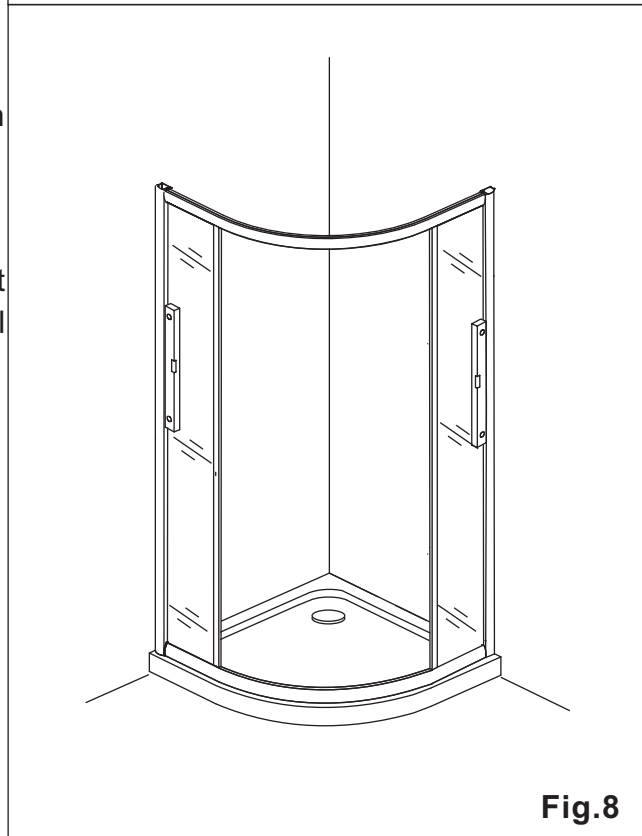
7. Insert the two wall profiles (A) into both side profiles, ensuring the correct orientation of the flanges as per **Fig.7**.



**Fig.7**

8a. Place the shower enclosure on the shower tray, and position it so that there is an even gap of not less than 10-15mm to the edge of the tray.

8b. Adjust the two wall profiles so that they sit flush to the walls and use a spirit level to ensure that they are both vertical. See **Fig.8**.



**Fig.8**

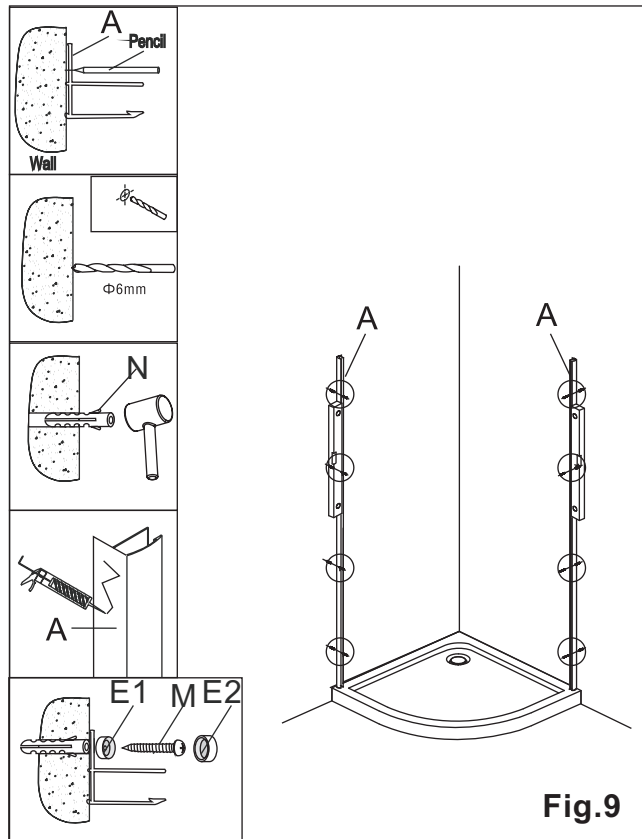


# Assembly Instructions Quadrant Shower Enclosure

9a. Taking care not to move the enclosure, use the pre-drilled holes in the wall profiles (A) as a template and mark the hole positions on the wall with a pencil. See **Fig.9**.

9b. Remove the enclosure and drill the holes with a drill bit suitable for the wall type and fixing being used. Insert the wall plugs (N) into the holes using a rubber mallet.

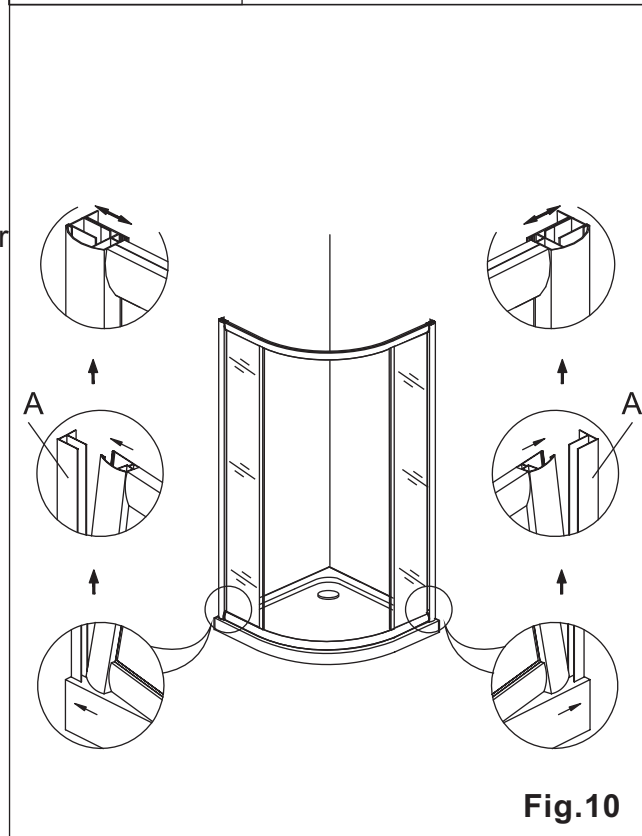
9c. Apply silicone sealant to the back of the wall profiles (A) and secure them to the wall using screws ST4x30mm (M) and screw cap washers (E1). Cover them with screw cap (E2) as per **Fig.9**.



**Fig.9**

10a. Whilst supporting the frame, carefully insert one corner of the enclosure over one of the wall profiles (A) and push it fully home.

10b. Carefully lift the other bottom corner and fit it over the other wall profile (A). See **Fig.10**.



**Fig.10**





# Assembly Instructions Quadrant Shower Enclosure

11a. Tilt the bottom of the movable door (D) into the enclosure, and locate the top rollers in the channel in the top track frame (B).

11b. Push down on the bottom rollers and locate them into the channel in the bottom track frame (B). See **Fig.11-1**.

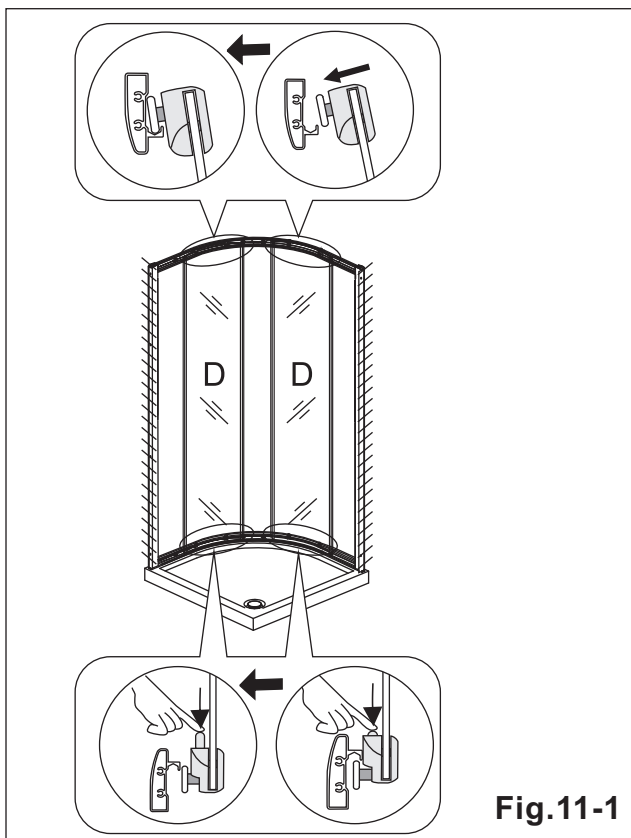
Note: Ensure that the trailing edge door seal is overlapping with the fixed panel seal before engaging the bottom rollers in the track.

11c. Repeat the process for the second door (D).

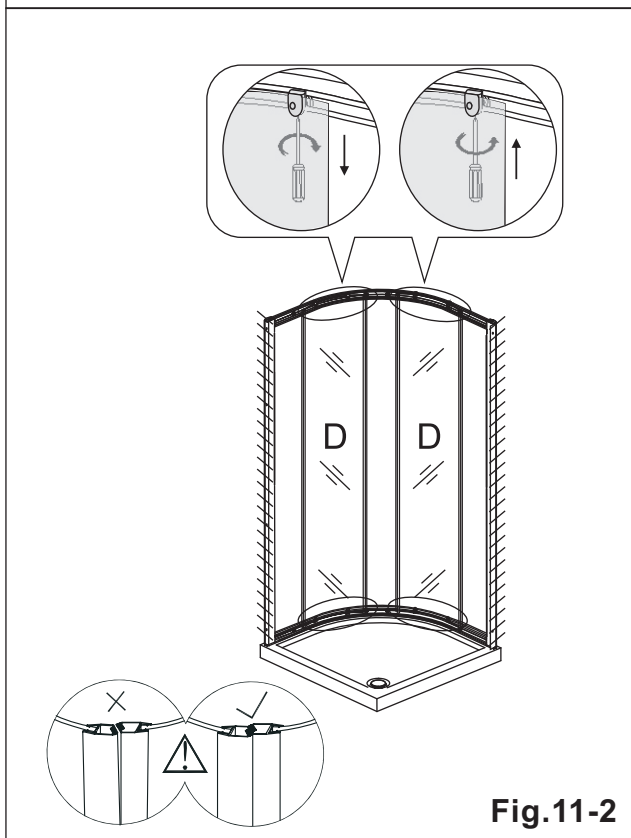
11d. To ensure that the movable doors (D) are hanging vertically and run smoothly, adjust the top rollers by rotating the screw thread at the bottom.

11e. Raise and lower both of the doors by adjusting the top rollers as required to minimize the gap between the magnets and to ensure the doors run smoothly. See **Fig.11-2**.

Note: Check ALL of the rollers for security and position, and re-tighten as necessary.



**Fig.11-1**

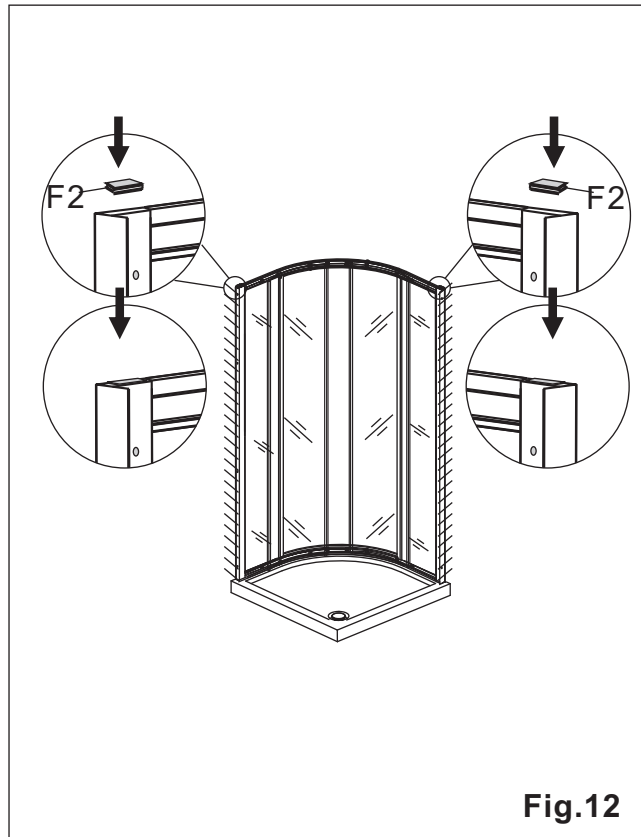


**Fig.11-2**



# Assembly Instructions Quadrant Shower Enclosure

12. Fit the wall profile cap (F2) to the wall profile (A). See **Fig.12**.

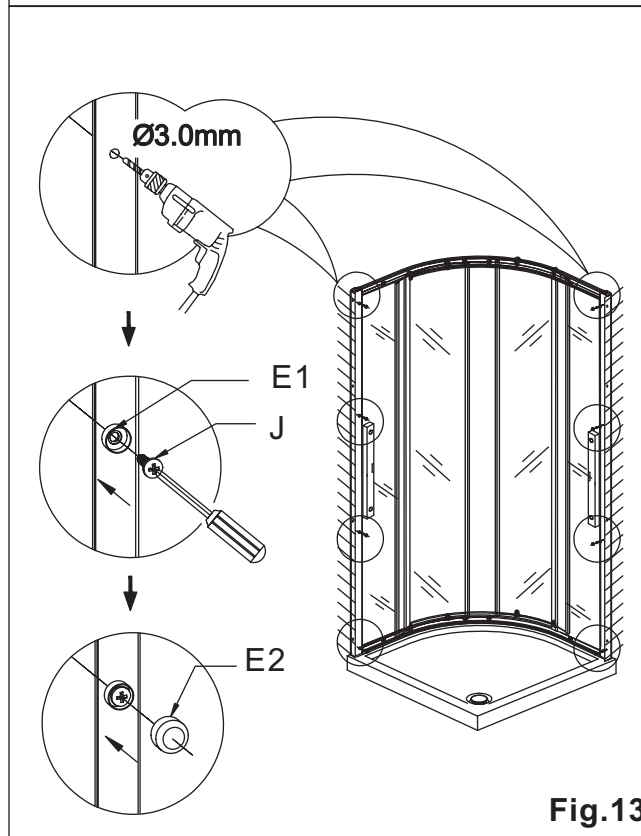


**Fig.12**

13a. Position the enclosure so that there is an even gap to the edge of the tray, and use a spirit level to ensure the side profiles are vertical.

13b. Taking care not to move the enclosure use a 3mm HSS drill to drill holes through the pilot holes on the side profiles of the fixed glass (C). Ensure that you do not drill too far and mark the outer surface of the profiles.

13c. Secure the profiles using screws ST4x12mm (J) and screw cap washers (E1). Cover with screw caps (E2) as per **Fig.13**.

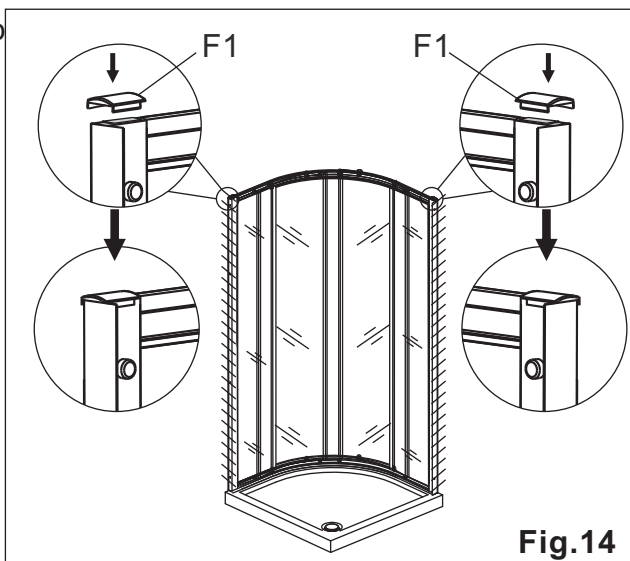


**Fig.13**



## Assembly Instructions Quadrant Shower Enclosure

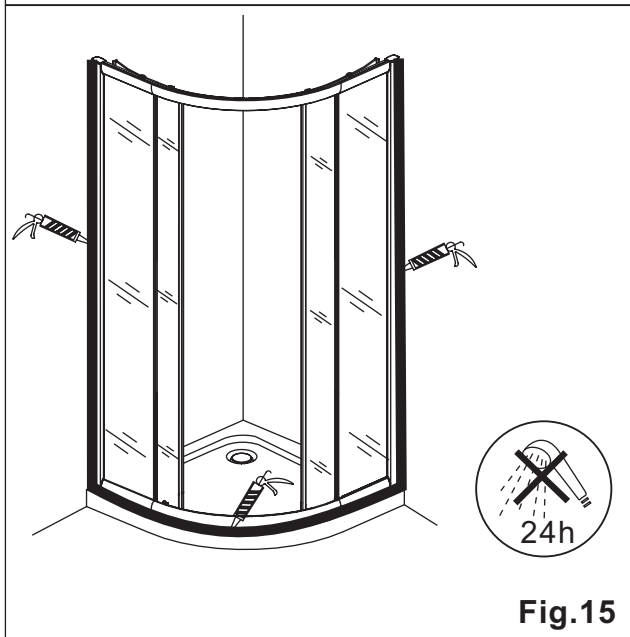
14. Fit the wall profile cap (F1) to the top of the side profile of fixed glass (C). See **Fig.14**.



15. Apply silicone sealant to the joints on the outside of the shower enclosure only, as indicated by the thick line in **Fig.15**.

Note: If the silicone is applied to the inside of the enclosure as well, it can cause the water to remain trapped and build up, eventually causing leaks.

Note: Do not use the shower enclosure for at least 24 hours in order to allow the silicone sealant to cure fully.



### Care & Use

- Soapy water is adequate to keep the glass clean, although glass cleaner can be used if required. Scourers, abrasives and chemical cleaners can damage the glass and pattern, and should not be used.
- In hard water areas, insoluble lime salts may be deposited on the glass. If this is allowed to build up it becomes increasingly difficult to remove and looks unsightly. Regular cleaning will minimize this effect.