

STANDALONE NIGHT SENSOR



V2.0 - 04/05
IQ-SA-PH-W

IQ Europe Limited
Sandbeck Lane, Wetherby LS22 7TW.
Visit us at www.iq-europe.co.uk
Installation helpline 0871 717 1100

INSTALLER GUIDE

MANUFACTURER'S EXTENDED WARRANTY

In addition to your statutory rights relating to this product it is also guaranteed by IQ (Europe) Limited ("IQ") for 12 months from the date of purchase against faulty materials or workmanship which affect its designed ability to switch. During this period if the product has a defect of this nature it will be repaired or replaced free of charge by IQ with the same item, or a similar one of higher specification, ON CONDITION THAT:-

The buyer takes advantage of any 'return to store' scheme operated by the seller from whom it is bought.

If the product has a defect outside the period of any seller's 'return to store' scheme it should be returned to **IQ (Europe) Limited at Sandbeck Lane, Wetherby, W. Yorks LS22 7TW, England** at the expense of the buyer together with evidence of the date of purchase (it is the responsibility of the buyer to prove delivery to IQ).

The product has been bought by the user.

The product has not been misused or handled carelessly, installed incorrectly, or used on a voltage supply other than that shown on it.

Repairs have not been attempted by anyone other than IQ's staff.

The product has been used for domestic purposes only.

The product has not been installed in any unusually exposed or harsh environmental conditions.

If the buyer is resident in the EU the product or its replacement will be returned to the buyer at the expense of IQ.

This guarantee excludes liability for discolouration of paint or plastic, or any user replaceable parts and in particular lamps, glass panels, or globes/lanterns. It does not confer any rights other than those expressly set out above and does not cover any claims for consequential loss or damage.

This guarantee is offered as an additional benefit and does not affect your statutory rights as a consumer.

This contract is subject to the laws of England and Wales.

***** IMPORTANT *****

As of 1 January 2005, changes to the Building Regulations affect domestic electrical installations in England and Wales. You don't need to be a qualified electrician to make changes to your home's electrical system, but the work must be done in accordance with the Regulations.

Where you employ an electrician who is a member of a competent person self-certification scheme, they will be able to certify the work complies with the Regulations.

If you decide to carry out the work yourself we recommend that you make yourself aware of the Regulations before you begin and if you require any clarification you should contact your Local Authority Building Control Department.

Details of the Building Regulations can be obtained on the internet via the government website www.odpm.gov.uk/explanatory-booklet

SECTION ONE

GENERAL INFORMATION

The unit features an integral daylight sensing photocell which will automatically switch connected lights on at dusk and off at dawn.

PARTS INCLUDED

- Photocell (Dusk/Dawn) Switch
- Instruction manual. Please keep safe for future reference.
- Accessory Pack.

TOOLS & PARTS NEEDED

- 3 core cable
- Electric/hand-held drill & bits.
- Terminal or Electricians screwdriver
- Wire cutters

Unit can be used indoors or outdoors, but is specifically designed for outdoor use.

Do not attempt to install during wet weather, if you are suffering from nausea or dizzy spells or if you are taking any medication with similar side effects.

If in any doubt, consult a qualified tradesperson or electrician.

SECTION TWO

INSTALLATION

The unit is suitable for connection to a 240 V ac 50Hz electricity supply. It is suggested that 3-core round flexible cable of 1mm² gauge is used. An internal switch should be installed to switch the power to the unit ON & OFF. This allows the sensor to be easily switched off when not required or for maintenance purposes.

***** IMPORTANT *****

Switch off the electricity at the fuse box by removing the relevant fuse or switching off the circuit breaker before proceeding with the installation.

Open the unit by gently prying the "ears" on each side of the unit. See diagram A. This can be done without a tool, but if you prefer use a flat blade screwdriver, but be careful not to damage the clips. They should release easily. The front cover is hinged at the top, the front cover will swing open upwards.

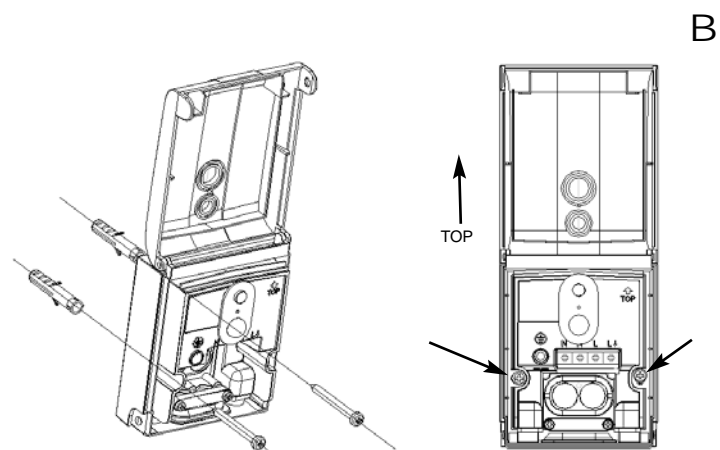
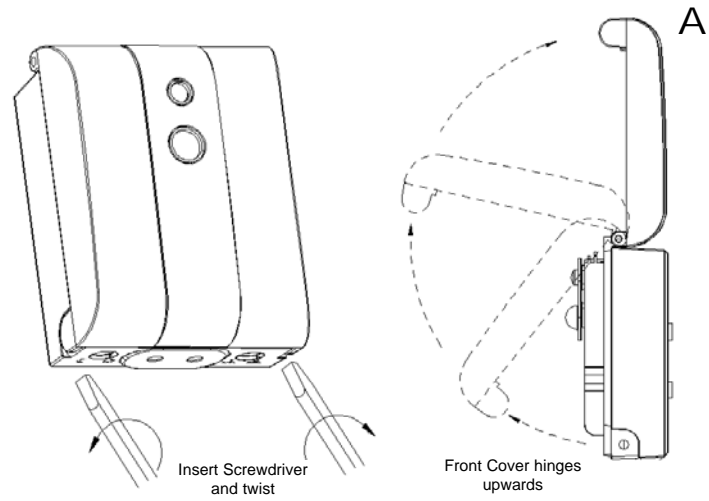
Using the unit as a template, drill the holes. Insert the wall plugs into the holes. See diagram B.

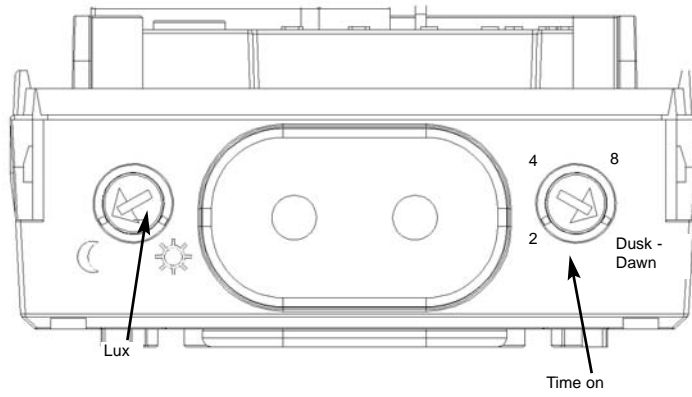
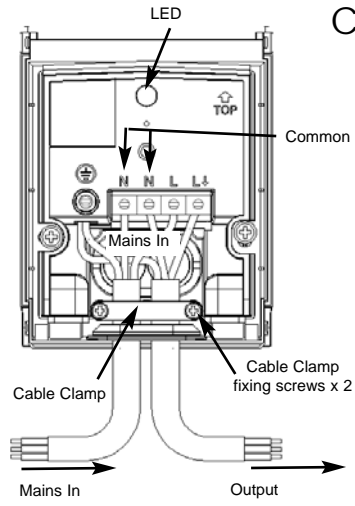
It is recommended that the grommet is pierced with a screwdriver to ensure a better seal.

Fix the unit to its mounting surface. Do not overtighten the mounting screws as this could damage the unit. If using a power screwdriver, use the lowest torque setting.

Remove the cable clamp. See diagram C

Pierce and pass the cables through the grommet. We recommend you use a screwdriver to pierce the grommet as this will give a better seal.





View on underside of unit shows adjustments

CONNECTION

Connect the incoming mains cable to the terminal block on the unit as follows (see connection diagram):

NEUTRAL (Blue)	N
EARTH (Green/Yellow)	
LIVE (Brown)	L

Connect the lighting load cable to the terminal block.

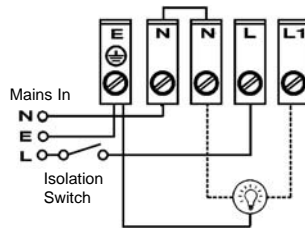
NEUTRAL (Blue)	N
EARTH (Green/Yellow)	
LIVE (Brown)	L1

Please note the the N terminals are common.
 Ensure that the connections are secure.
 Re-attach the cable clamp and secure.

Close the front cover

Installation is complete

CONNECTION DIAGRAM



SECTION THREE
OPERATION AND TESTING

Set the adjustment knobs as follows:-
 See diagram D.

Lux setting, fully anti-clockwise (daylight setting)
 Time delay setting fully anti-clockwise (minimum 2 sec)

The Lux setting determines at which light level the switch will turn its connected load "ON"
 Turning this setting fully anti-clockwise allows you to test the circuit during daylight.

Connect the unit to the mains and switch power on.

After a short delay, the unit will switch ON. This is indicated by the red LED see diagram C. Any attached lights will also illuminate.

SETTING UP FOR AUTOMATIC OPERATION

The DUSK (LUX) control determines the level of darkness required for the unit to start operating. The setting is best achieved by the procedure below:

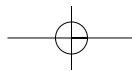
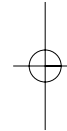
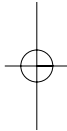
Set the DUSK control knob fully anti-clockwise. Wait until darkness falls.

When the ambient light level reaches the level of darkness at which you wish the lamps to become operative (ie. At dusk), SLOWLY rotate the control in a clockwise direction until a point is reached where the lamp illuminates. Leave the control set at this point.

At this position, the unit should become operative at approximately the same level of darkness each evening. Observe the operation of the unit. If the unit is starting to operate too early (ie. when it is quite light), adjust the control slightly anti-clockwise. If the unit starts to operate too late (ie. only when it is very dark), adjust the control slightly clockwise. Continue to adjust until the unit operates as desired.

Set the Time On control knob as follows

The Time setting allows the user to determine how long after darkness level is reached the lights will illuminate. This can be set at 2, 4 and 8 hours or from dusk until dawn as required.



SECTION FOUR

TECHNICAL SPECIFICATIONS

Power Supply	240 V AC ~ 50Hz
Maximum Switching capacity	Incandescent 500W Tungsten Halogen 1000W Fluorescent 250W CFL (energy saving lamps) 200W
Time On Adjustment	2,4,8 hours and Dusk - Dawn
Environmental Protection	IP44 (suitable for outdoor use)

If you experience problems refer to Troubleshooting Guide.
If problems still exist, do not immediately return the unit to store.

Telephone the IQ Customer Helpline

0871 71 71 100 Weekdays 9.00am - 5.00pm

support@iq-group.com www.iq-europe.co.uk

Qualified Customer Support Co-ordinators will be on-line to assist in resolving your query.

SECTION FIVE

TROUBLESHOOTING GUIDE

PROBLEM	SOLUTION
o The sensor will not operate at night.	The level of ambient light in the area may be too bright to allow operation at the current DUSK setting. During the hours of darkness, adjust the DUSK control slowly clockwise until the lamp illuminates. Refer to previous section for more details.
o Unit activates during the daytime.	Adjust the setting anti-clockwise to lower the level of ambient light required for activation.

DID YOU KNOW...

IQ products are designed and manufactured to give many years of trouble-free service.

The materials used during manufacture have been selected to allow the product to be easily recycled when no longer functional.

Waste electrical products should not be disposed of with household waste. Please recycle where facilities exist. Check with your Local Authority or retailer for recycling advice

LIGHT POLLUTION & CONSIDERATE LIGHTING

Please be aware of the annoyance over-lighting an area can cause to your immediate neighbours.

Light pollution caused by incorrectly installing a unit or over-lighting an area can be limited by carefully considering the location and position of your unit before installation. The light spread on all halogen floodlights can be reduced by angling the floodlight downwards on the mounting bracket. This will also concentrate the light on your property and limit the potential inconvenience of the light shining into your neighbours windows etc.

Please see **Selecting a Location** for information on choosing the optimum location for your security light.