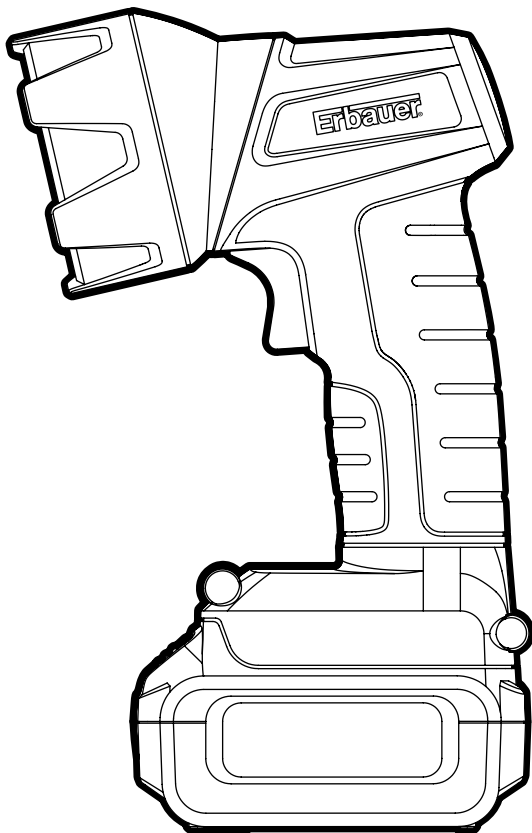


Erbauer®



ERI068TOR

2 WARRANTY
YEARS

18V LI-ION TORCH

Erbauer®

Congratulations on your purchase of a quality power tool from Erbauer (UK) Ltd. This product should give you reliable service but for your peace of mind this Erbauer power tool does carries a 24-month guarantee, the terms of which are detailed below.

If this product develops a fault within the guarantee period contact your retailer.

Please retain this handbook in case you need to refer to safety, care or guarantee information in the future.

GUARANTEE

This Erbauer product carries a guarantee of 24 months. If your product develops a fault within this period, you should in the first instance contact the retailer where the item was purchased.

This guarantee specifically excludes losses caused due to:

- Fair wear and tear
- Misuse or abuse
- Lack of routine maintenance
- Failure of consumable items (such as batteries)
- Accidental damage
- Cosmetic damage
- Failure to follow manufacturer's guidelines
- Loss of use of the goods

This guarantee does not affect your statutory rights. This guarantee is only valid in the UK.

For further technical advice, spare parts or repair service (outside of guarantee) please contact the customer helpline number on 0845 607 6380

18V LI-ION TORCH

SAFETY INSTRUCTIONS



Warning! Read all safety warnings and all instructions. Failure to follow the warnings and instructions may result in electric shock, fire and/or serious injury.

Save all warnings and instructions for future reference.

The term “power tool” in the warnings refers to your mains-operated (corded) power tool or battery-operated (cordless) power tool.

1. Work area safety

- a. Keep work area clean and well lit.** Cluttered or dark areas invite accidents.
- b. Do not operate power tools in explosive atmospheres, such as in the presence of flammable liquids, gases or dust.** Power tools create sparks which may ignite the dust or fumes.
- c. Keep children and bystanders away while operating a power tool.** Distractions can cause you to lose control.

2. Electrical safety

- a. Power tool plugs must match the outlet. Never modify the plug in any way. Do not use any adapter plugs with earthed (grounded) power tools.** Unmodified plugs and matching outlets will reduce risk of electric shock.
- b. Avoid body contact with earthed or grounded surfaces, such as pipes, radiators, ranges and refrigerators.** There is an increased risk of electric shock if your body is earthed or grounded.
- c. Do not expose power tools to rain or wet conditions.** Water entering a power tool will increase the risk of electric shock.
- d. Do not abuse the cord. Never use the cord for carrying, pulling or unplugging the power tool. Keep cord away from heat, oil, sharp edges or moving parts.** Damaged or entangled cords increase the risk of electric shock.
- e. When operating a power tool outdoors, use an extension cord suitable for outdoor use.** Use of a cord suitable for outdoor use reduces the risk of electric shock.
- f. If operating a power tool in a damp location is unavoidable, use a residual current device (RCD) protected supply.** Use of an RCD reduces the risk of electric shock.

3. Personal safety

- a. Stay alert, watch what you are doing and use common sense when operating a power tool. Do not use a power tool while you are tired or under the influence of drugs, alcohol or medication.** A moment of inattention while operating power tools may result in serious personal injury.
- b. Use personal protective equipment. Always wear eye protection.** Protective equipment such as dust mask, non-skid safety shoes, hard hat, or hearing protection used for appropriate conditions will reduce personal injuries.
- c. Prevent unintentional starting. Ensure the switch is in the off-position before connecting to power source and/or battery pack, picking up or carrying the tool.** Carrying power tools with your finger on the switch or energising power tools that have the switch on invites accidents.

- d. Remove any adjusting key or wrench before turning the power tool on.** A wrench or a key left attached to a rotating part of the power tool may result in personal injury.
- e. Do not overreach. Keep proper footing and balance at all times.** This enables better control of the power tool in unexpected situations.
- f. Dress properly. Do not wear loose clothing or jewellery. Keep your hair, clothing and gloves away from moving parts.** Loose clothes, jewellery or long hair can be caught in moving parts.
- g. If devices are provided for the connection of dust extraction and collection facilities, ensure these are connected and properly used.** Use of dust collection can reduce dust-related hazards.

4. Power tool use and care

- a. Do not force the power tool. Use the correct power tool for your application.** The correct power tool will do the job better and safer at the rate for which it was designed.
- b. Do not use the power tool if the switch does not turn it on and off.** Any power tool that cannot be controlled with the switch is dangerous and must be repaired.
- c. Disconnect the plug from the power source and/or the battery pack from the power tool before making any adjustments, changing accessories, or storing power tools.** Such preventive safety measures reduce the risk of starting the power tool accidentally.
- d. Store idle power tools out of the reach of children and do not allow persons unfamiliar with the power tool or these instructions to operate the power tool.** Power tools are dangerous in the hands of untrained users.
- e. Maintain power tools. Check for misalignment or binding of moving parts, breakage of parts and any other condition that may affect the power tool's operation. If damaged, have the power tool repaired before use.** Many accidents are caused by poorly maintained power tools.
- f. Keep cutting tools sharp and clean.** Properly maintained cutting tools with sharp cutting edges are less likely to bind and are easier to control.
- g. Use the power tool, accessories and tool bits etc. in accordance with these instructions, taking into account the working conditions and the work to be performed.** Use of the power tool for operations different from those intended could result in a hazardous situation.

5. Battery tool use and care

- a. Recharge only with the charger specified by the manufacturer.** A charger that is suitable for one type of battery pack may create a risk of fire when used with another battery pack.
- b. Use power tools only with specifically designated battery packs.** Use of any other battery packs may create a risk of injury and fire.
- c. When battery pack is not in use, keep it away from other metal objects, like paper clips, coins, keys, nails, screws or other small metal objects, that can make a connection from one terminal to another.** Shorting the battery terminals together may cause burns or a fire.
- d. Under abusive conditions, liquid may be ejected from the battery; avoid contact. If contact accidentally occurs, flush with water. If liquid contacts eyes, additionally seek medical help.** Liquid ejected from the battery

may cause irritation or burns.

6. Service

a. Have your power tool serviced by a qualified repair person using only identical replacement parts. This will ensure that the safety of the power tool is maintained.

ADDITIONAL SAFETY INSTRUCTIONS

Note: This product is supplied without batteries or a charger . The charger and battery information is supplied for reference purposes.

• for charger

1. Only use the battery charger specifically stated on the base of the battery.
2. Charger is double insulated for additional electrical safety.
3. Charger is for indoor use only.
4. Do not expose charger to rain or water.
5. If the charger supply cord is damaged, it must be replaced by the manufacturer, its service agent or similarly qualified persons in order to avoid a hazard.

• for battery

1. Always remove the battery pack from the charger immediately after re-charging is completed.
2. When not in use, remove a charged battery pack from the charger.
3. Do not charge a damaged battery pack.
4. Do not charge non-rechargeable batteries.
5. Lithium-ion and lithium polymer cells and battery packs may get hot, explode or ignite and cause serious injury if exposed to abuse conditions.
6. Do not install the battery backwards so the polarity is reversed.
7. Do not connect the positive terminal and negative terminal of the battery to each other with any metal object (such as wire).
8. Do not carry or store battery together with necklaces, hairpins or other metal objects.
9. Do not pierce the battery with nails, strike the battery with a hammer, step on the battery or otherwise subject it to strong impacts or shocks.
10. Do not solder directly onto the battery.
11. Do not expose battery to water or salt water, or allow the battery to get wet.
12. Do not disassemble or modify the battery. The battery contains safety and protection devices, which, if damaged, may cause the battery to generate heat, explode or ignite. The protection circuit module provided with battery packs is not to be used as a substitute for a shut-off switch.
13. Do not place the battery in or near fire, on stoves or other high temperature locations. Do not place the battery in direct sunlight, or use or store the battery inside cars in hot weather. Heating the battery can damage the safety circuitry, which can cause additional heating, rupture or ignition of the battery. Using the battery in this manner may also result in a loss of performance and a shortened life expectancy.
14. Do not place the battery in microwave ovens, high-pressure containers or on induction cookware.

15. If you intend to store a battery for a period without use then store battery at room temperature (19°C to 25°C), charged to about 30 – 50% of capacity. When storing for very long periods boost-charge the battery once per year to prevent over discharge.

16. Always charge the battery in a temperature range of 0° to 40°C and discharge in a temperature range of 0° to 75°C.

17. The battery pack and charger will be warm during charging, this is normal.

18. Do not continue charging the battery if it does not recharge within the specified charging time. Doing so may cause the battery to become hot, explode or ignite. The temperature range over which the battery can be charged is 0°C to 40°C. Charging the battery at temperatures outside this range may cause severe damage to the battery or reduce battery life expectancy.

19. When the battery is worn out, insulate the terminals with adhesive tape or similar materials before disposal.

20. Do not dispose of batteries in fire, or with household waste. Return exhausted batteries to your local collection or recycling point.

21. Immediately discontinue use of the battery if, while using, charging or storing the battery, the battery emits an unusual smell, feels hot, changes color or shape, or appears abnormal in any other way.

22. In the event the battery leaks and the fluid gets into one's eye, do not rub the eye. Rinse well with water and immediately seek medical care. If left untreated, the battery fluid could cause damage to the eye.

SYMBOLS



Read the manual



Warning



Wear gloves

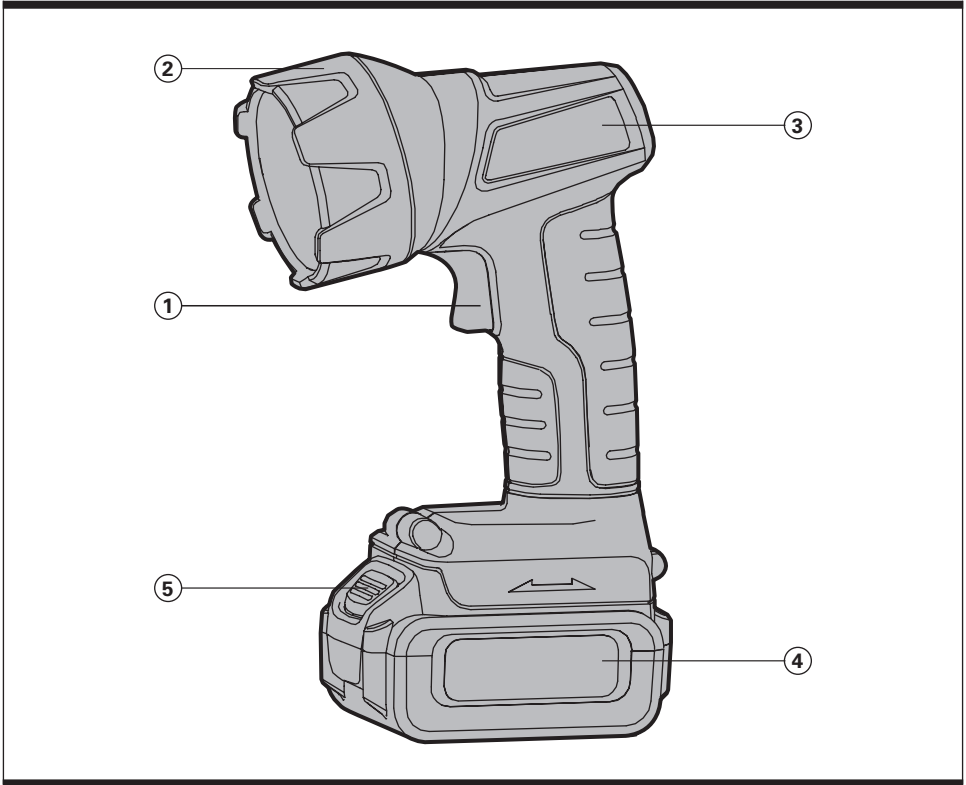


Wear dust mask, eye & ear protection



Conforms to relevant safety standards

18V LI-ION TORCH



1. ON/OFF SWITCH

2. LIGHT HEAD COVER

3. LIGHT BODY PART

4. BATTERY PACK

5. BATTERY PACK RELEASE LATCH

6. CHARGER (SEE FIG 1-1)

7. CHARGED INDICATOR LIGHT (GREEN) (SEE FIG 2)


8. CHARGING INDICATOR LIGHT (RED) (SEE FIG 2)

9. SPRING (SEE FIG 4)

10. RESERVE SLOT (SEE FIG 4)

Note: This product is supplied without batteries or a charger . The charger and battery information is supplied for reference purposes.

TECHNICAL DATA

Power:	18V 
Charger volts:	230V~50Hz
Working time:	180min
Battery capacity:	2.6Ah Lithium-Ion
Charging time:	1 hour
Machine weight:	0.3kg


ACCESSORIES

Extra bulb

1pc


18V LI-ION TORCH

OPERATION INSTRUCTIONS

 **Note:** Before using the tool, read the instruction book carefully.

1. Before using your cordless lamp

Your battery pack is **UNCHARGED** and you must charge once before use.


 **Warning:** The charger and battery pack are specifically designed to work together so do not attempt to use any other devices. Never insert or allow metallic objects into your charger or battery pack connections because an electrical failure and hazard will occur.

2. Install the charger stands (See Fig.1-1, 1-2, 1-3)

Slide the two charger stands (A) into the both grooves on back of the charger (6).The charger can stand as shown in Fig.A-3.

3. Charge the battery pack (See Fig.2)

Connect the battery charger to the power supply and the green light (7) will illuminate. ⚡ Slide the battery pack into the charger to make the connections. The green light (7) will be off and the red light (8) will illuminate to show charging has started. A discharged battery at normal ambient temperature will take approximately 1 hour to reach full charge. When charging is completed the green light (7) will illuminate while the red light (8) is off.

 **Warning:** When battery charge runs out after continuously use or exposure to direct sunlight or heat, allow time for the tool to cool down before re-charging to achieve the full charge.

Note: This charger is designed to detect some problems that can arise with battery pack. (see table below)

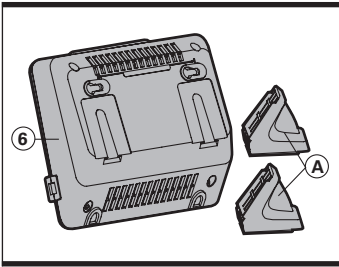


Fig 1-1

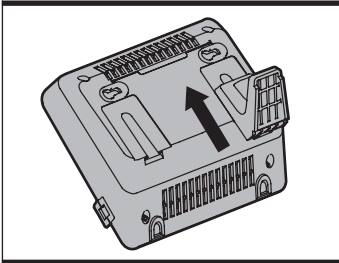


Fig 1-2

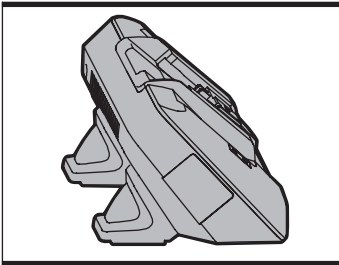


Fig 1-3

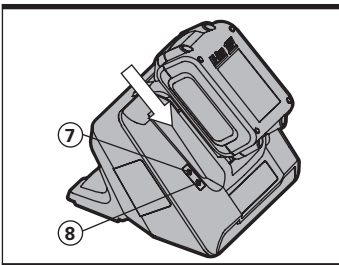


Fig 2

Red Flashing Green Off	Defective battery, after pre-charge 30 minutes with trickle current, the total battery voltage is still less than 15.0v.
Red ON Green Off	Charging
Green ON Red Off	Power On and Fully Charged
Green Flashing Red Off	The temperature of battery pack is less than 0 or more than 40

4. Remove or install battery pack

Press the battery pack latch and remove the battery pack from the tool. After recharge slide the battery pack into tool's battery port. A simple push and slight pressure will be sufficient.

5. On/off switch

To start your light, depress the switch. To turn off, depress the switch again.

6. Multi-position function

This allows your light to be aimed / directed in some different positions to free your hands for working. The section can be rotated independently for a direction combination of position (See Fig.3-1 & 3-2).

7. Bulb replacement

Warning: The bulb head cover and lens become hot when used - it could burn your fingers. Allow to cool for several minutes before replacing bulb.

Remove the battery pack from the lamp. Unscrew the lamp head cover counter-clockwise. Take out the bulb from the spring (9) (See Fig.4). Use a new bulb to replace the old one (See Fig.5). Check the bulb is seated in the center of the spring. Replace the head cover (2) by rotating clockwise, ensure it is located correctly and do not force it when fitting.

Note: Always uses the correct bulb specification.



Fig 3-1



Fig 3-2

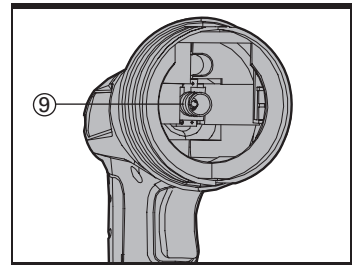


Fig 4

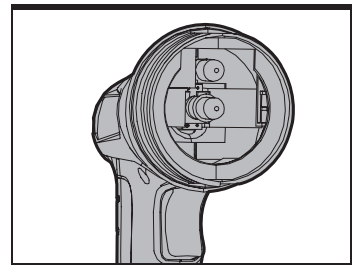


Fig 5

8. Disposal of an exhausted battery pack

To preserve natural resources, please recycle or dispose of the battery pack properly. This battery pack contains Lithium batteries. Consult your local waste authority for information regarding available recycling and/or disposal options. Discharge your battery pack by operating your lamp, then remove the battery pack from the lamp housing and cover the battery pack connections with heavy duty adhesive tape to prevent short circuit and energy discharge. Do not attempt to open or remove any of the components.

WORKING HINTS FOR YOUR WORKING LAMP

1. The bulb is dim or not working when I turn on the switch, why?

If the battery is not fully charged, recharge the battery with the battery charger, which type is supplied (Note: Do not charge the battery with a different type charger). Also check if the bulb you used is correct, if not; replace it with a correct one following the instructions in this manual.



Warning: The bulb become hot when used, it could be hurt your finger. Turn off the switch let your lamp cool for several minutes and ensure the bulb becomes cool before you check the bulb.

2. Reasons for different charging times.

Your charge time can be affected by many reasons which are not defects in your product. If the battery pack is only partly discharged it may be re-charged in less than 1 hour. If the battery pack and ambient temperature are very cold then re-charging may take 1-1.5 hours. If the battery pack is very hot it will not re-charge because the internal temperature safety cut-out will prevent it. If the battery pack is very hot you must remove your battery pack from the charger and allow your battery pack to cool first to ambient temperature and then recharging can be started. If you charge a second battery pack immediately after the first then the charger can be overheated. Always allow at least 15 minutes rest between battery pack charging.

3. Reasons for different battery pack working times.

Charging time problems, as above, and having not used a battery pack for a prolonged storage will reduce the battery pack working time. This can be corrected after several charge and discharge operations by charging & working with your lamp. Do not re-charge your battery pack below 0°C and above 40°C as this will affect performance.

MAINTAIN TOOLS WITH CARE

Your power tool requires no additional lubrication or maintenance. There are no user serviceable parts in your power tool. Never use water or chemical cleaners to clean your power tool. Wipe clean with a dry cloth. Always store your power tool in a dry place. Keep the motor ventilation slots clean.

HOT battery pack protection

The normal charging temperature is between 0°C and 40°C. When the allowable battery temperature of 40°C is exceeded, charging will suspend until it has reached the correct temperature. The normal discharging/working temperature is between 0°C and 75°C. When the allowable battery temperature of 75°C is exceeded, the electronic control switches off the power tool until the temperature is in the optimum temperature range again.

Battery pack overload and low-voltage protection

When max. allowable battery current is exceeded during working, the overload protection is activated to protect the battery against overheating.

When the battery is under normal voltage during working, the power tool will cease to operate.

ENVIRONMENTAL PROTECTION



Waste electrical products should not be disposed of with household waste. Please recycle where facilities exist. For further information visit www.recycle-more.co.uk

PLUG REPLACEMENT

If you need to replace the fitted plug then follow the instructions below.

IMPORTANT

The wires in the mains lead are coloured in accordance with the following code:

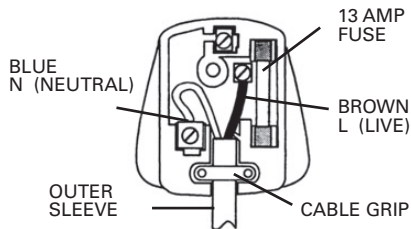
Blue - Neutral

Brown - Live

As the colours of the wires in the mains lead of this appliance may not correspond with the coloured markings identifying the terminals in your plug, proceed as follows. The wire which is coloured blue must be connected to the terminal which is marked with N. The wire which is coloured brown must be connected to the terminal which is marked with L.

Warning: Never connect live or neutral wires to the earth terminal of the plug. Only fit an approved BS1363/A plug and the correct rated fuse.

Note: If a moulded plug is fitted and has to be removed take great care in disposing of the plug and severed cable, it must be destroyed to prevent engaging into a socket.



Erbauer®

Declaration of Conformity

We, Importer
Erbauer (UK) LTD BA22 8RT

Declare that the product
18V LI-ION TORCH
ERIO68TOR

Complies with the essential health and safety requirements of the following directive:

98/37/EC EC Machinery Directive

2006/95/EC EC Low Voltage Directive

2004/108/EC EC Electromagnetic Compatibility Directive

2002/95/EC Restrictions of the Use of Certain Hazardous Substances in Electrical and Electronic Equipment

Standards and technical specifications referred to:

EN 60598-1: 2004

EN 60598-2-4: 2004

Authorised Signatory

Date: 01/01/07

Signature: P.C. Harries

Name: Peter Harries
Erbauer (UK) Ltd
Quality Manager



2007

18V LI-ION TORCH

Erbauer®