



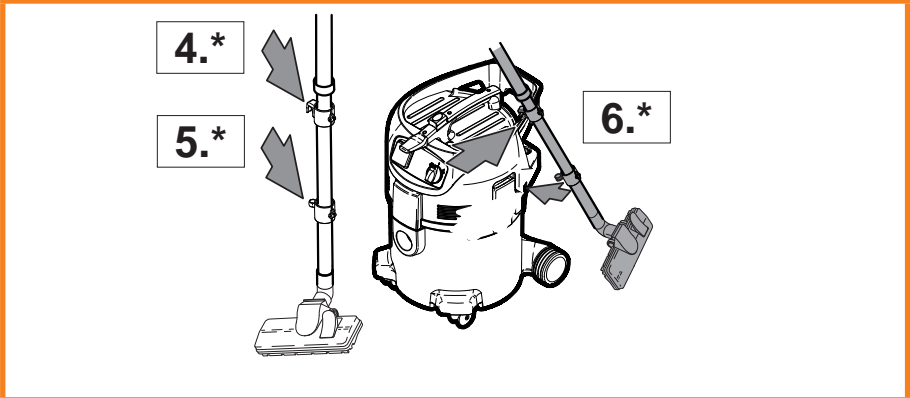
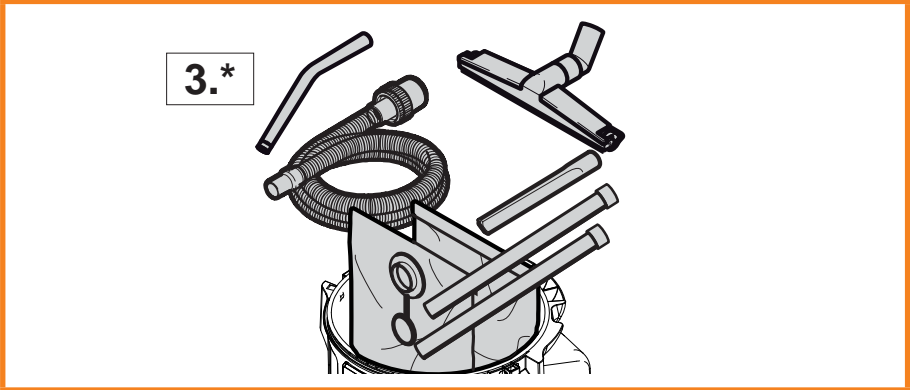
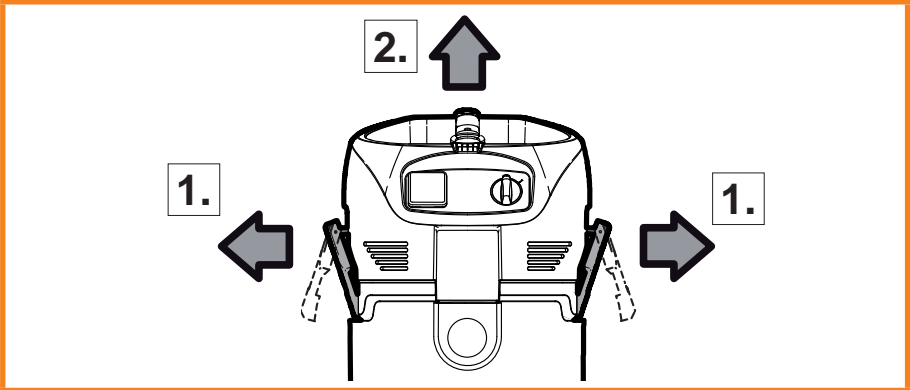
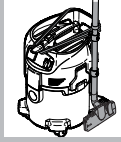
ATTIX 30 / BATT / PC / XC
ATTIX 40 / PC / XC
ATTIX 50 / PC / XC

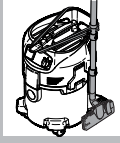
Quick Start Guide

Nilfisk
ALTO
Why Compromise



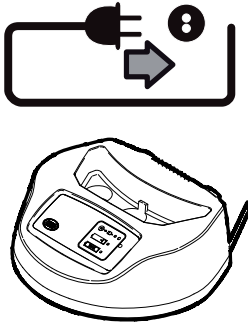
A



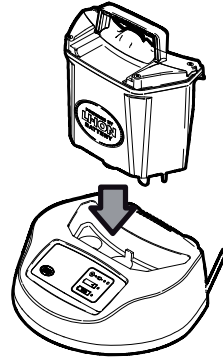
A

ATTIX 30-01 PC BATT

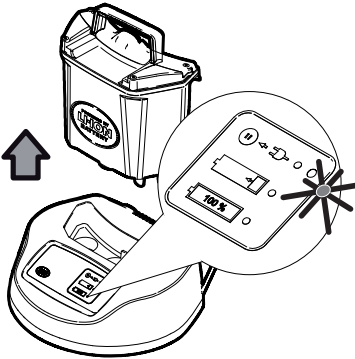
1.



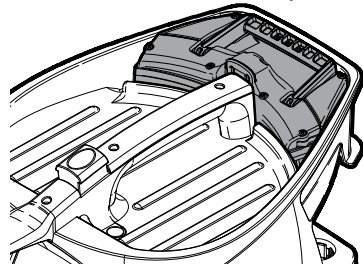
2.



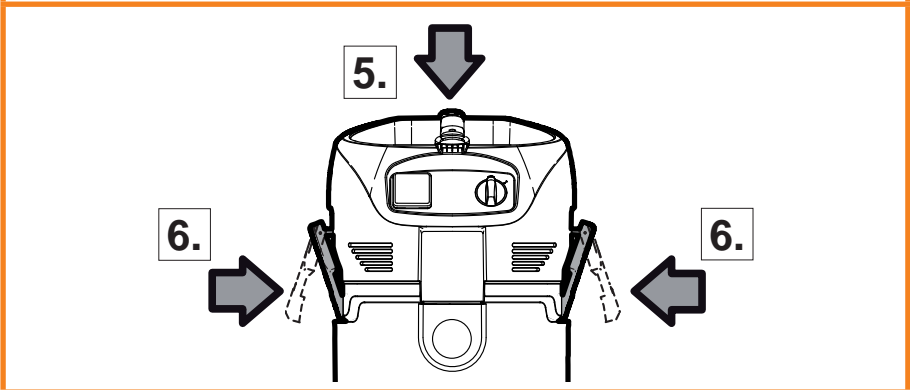
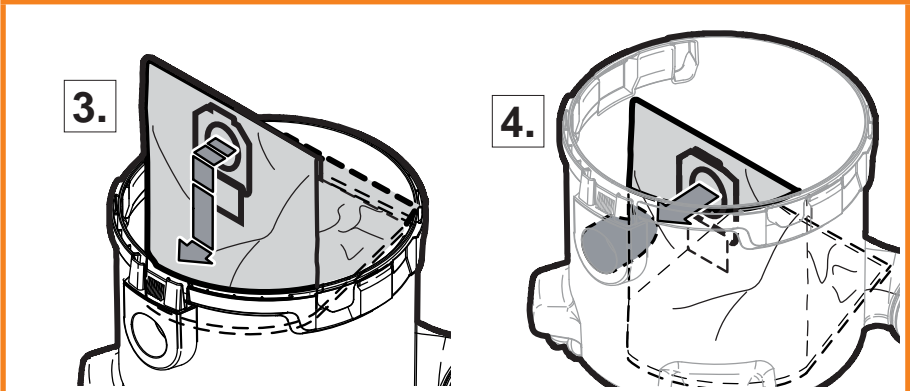
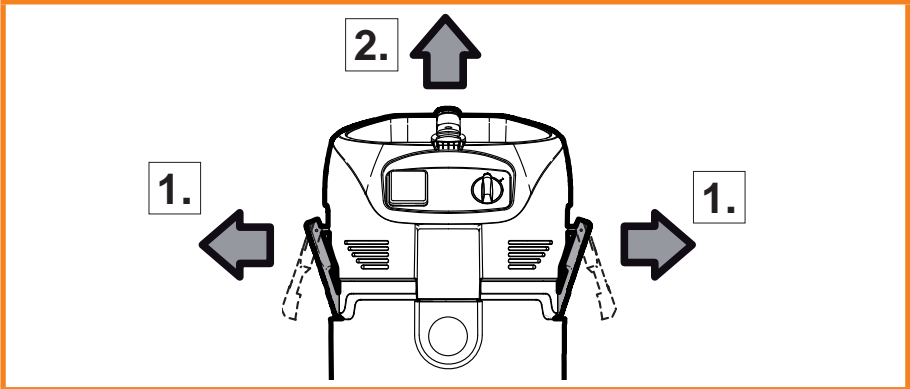
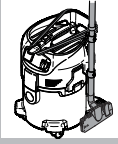
3.

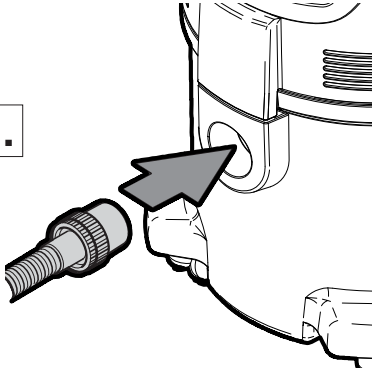
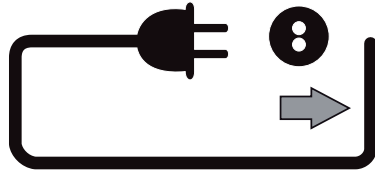


4.



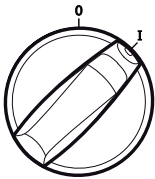
A



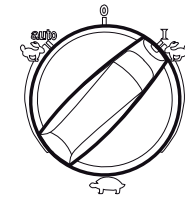
B**1.****2.**


ATTIX 30- / 40- / 50-01
ATTIX 30- / 40- / 50-11

ATTIX 30- / 40- / 50-21

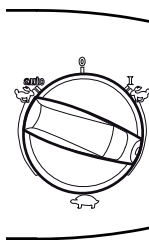


0 = ○
I = ●



0 = ○
I = ●
auto = 

ATTIX 30- / 40- / 50-21



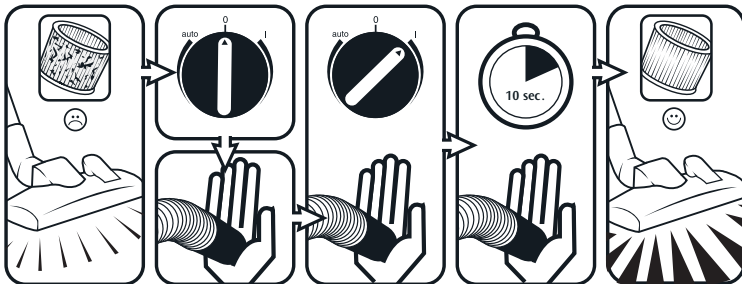
B

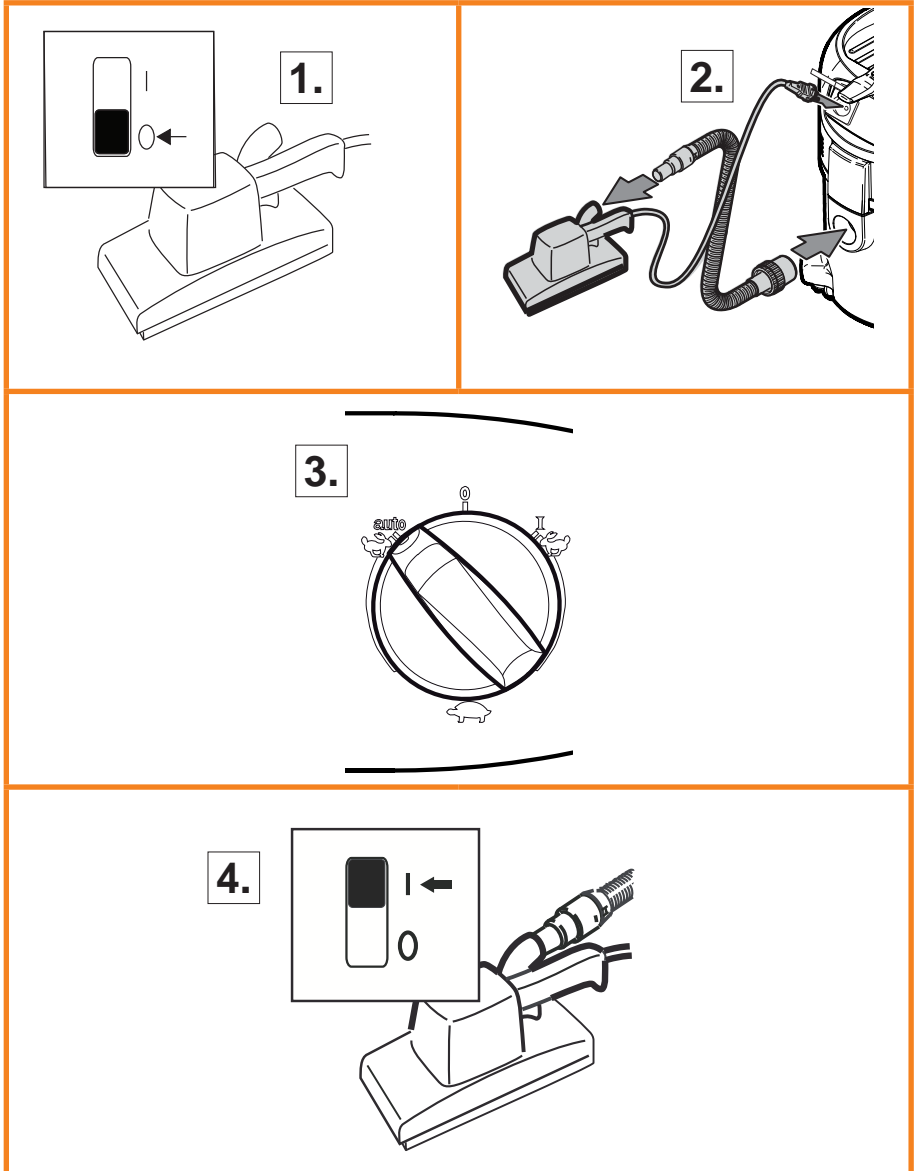


ATTIX 30- / 40- / 50-xx PC

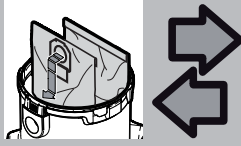


ATTIX 30- / 40- / 50-xx XC

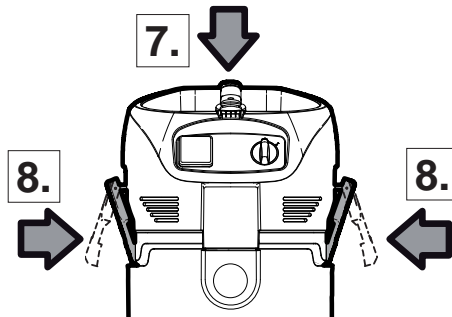
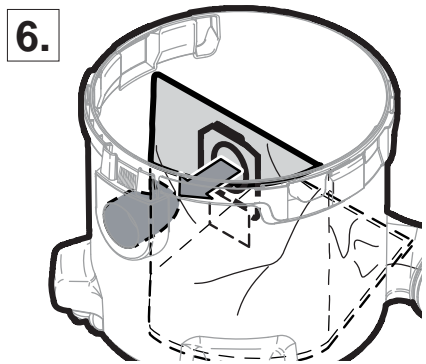
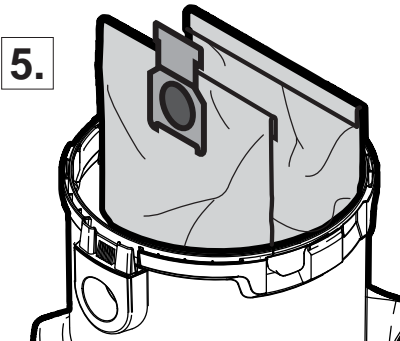
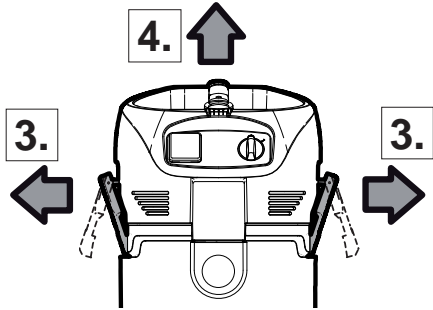
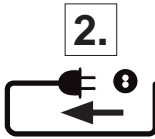
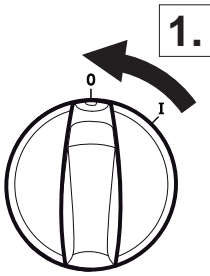


B*

C



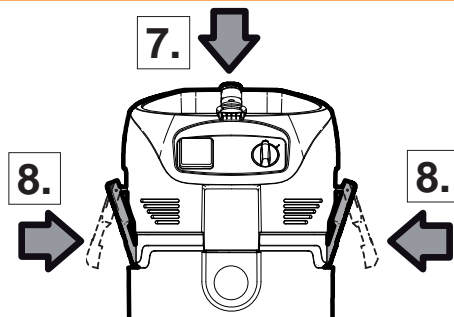
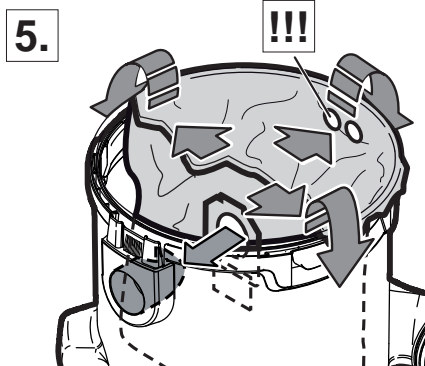
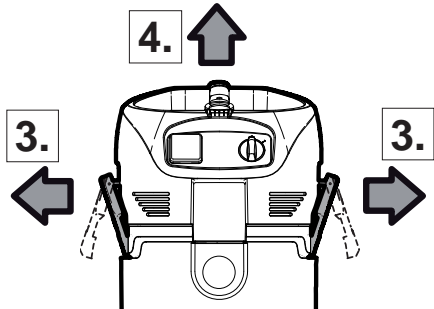
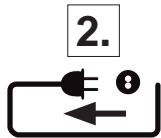
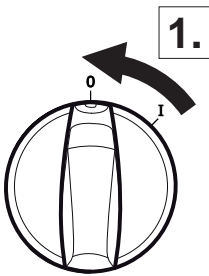
ATTIX 30 / 40 / 50



C



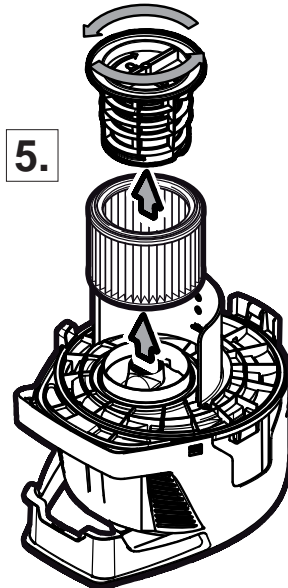
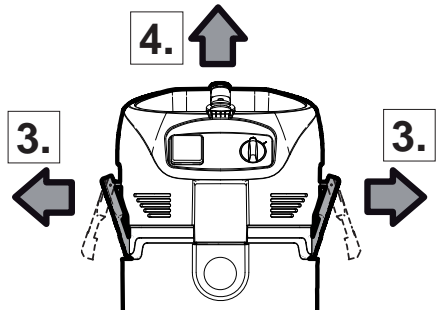
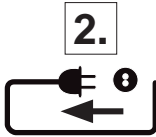
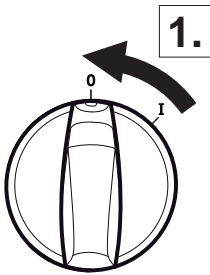
ATTIX 30 / 40 / 50



C



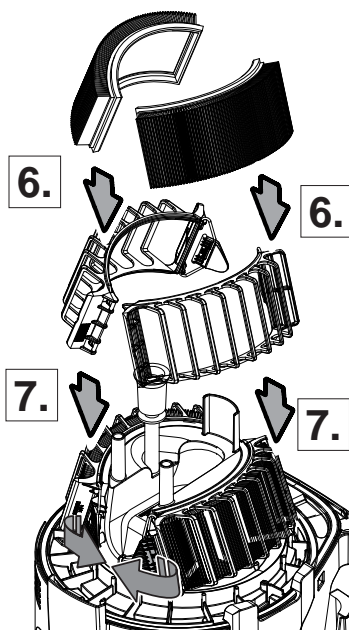
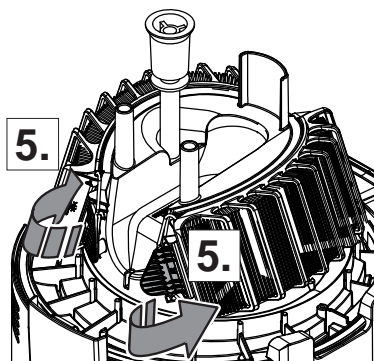
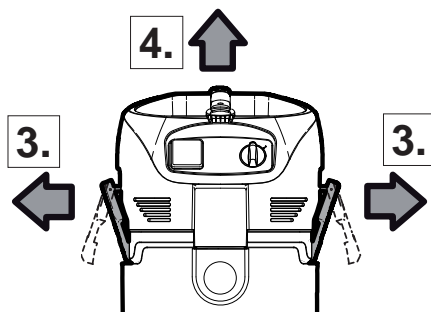
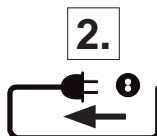
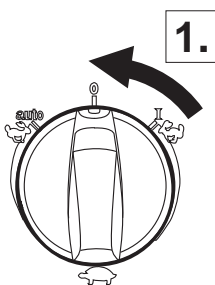
ATTIX 30 / 40 / 50 / STD / PC



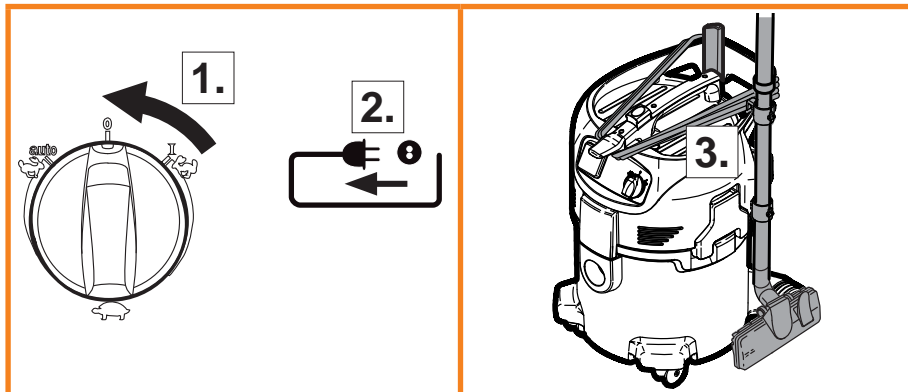
C



ATTIX 30 / 40 / 50 XC



D



This document

This document contains the safety information relevant for the appliance along with a quick reference guide.



Prior to using the appliance for the first time, be sure to read this document through and keep it ready to hand.

Further support

Detailed information on the appliance can be found in the operating instructions, which you can download from our web site at www.nilfisk-alto.com.

For further queries, please contact the Nilfisk-Alto service representative responsible for your country.

See reverse of this document.

Important safety instructions

Symbols used to mark instructions

	DANGER
	Danger that leads directly to serious or irreversible injuries, or even death.
	WARNING
	Danger that can lead to serious injuries or even death.
	CAUTION
	Danger that can lead to minor injuries and damage.

The appliance must

- only be used by persons, who have been instructed in its correct usage and explicitly commissioned with the task of operating it
- only be operated under supervision
- not be used by children

1. Do not use any unsafe work techniques.
2. Never use the vacuum cleaner without a filter.
3. Switch off the appliance and disconnect the mains plug in the following situations:
 - Prior to cleaning and servicing

- Prior to replacing components
- Prior to changing over the appliance
- If foam develops or liquid emerges

Besides the operating instructions and the binding accident prevention regulations valid in the country of use, observe recognised regulations for safety and proper use.

Purpose and intended use

The appliance is suitable for picking up dry, non-flammable dust and liquids.

The appliance is suitable for commercial use, such as e.g. in

- Hotels, Schools, Hospitals, Factories, Shops, Offices, Hire shops

Any other use is considered as improper use. The manufacturer accepts no liability for any damage resulting from such use. The risk for such use is borne solely by the user.

Proper use also includes proper operation, servicing and repairs as specified by the manufacturer. See operating instructions.

Transport

1. Before transporting the dirt tank, close all the locks.
2. Do not tilt the cleaner if there is liquid in the dirt tank.
3. Do not use a crane hook to lift the cleaner.

Storage

1. Store the appliance in a dry place, protected from frost.

Electrical connection

1. It is recommended that the vacuum cleaner should be connected via a residual current circuit breaker.
2. Arrange the electrical parts (sockets, plugs and couplings) and lay down the extension lead so that the protection class is maintained.
3. Connectors and couplings of power supply cords and extension leads must be watertight.

Extension lead

1. As an extension lead, only use the version specified by the manufacturer or one of a higher quality. See operating instructions.
2. When using an extension lead, check the

minimum cross-sections of the cable:

Cable length	Cross section	
	< 16 A	< 25 A
up to 20 m	1.5 mm ²	2.5 mm ²
20 to 50 m	2.5 mm ²	4.0 mm ²

Battery Charger

Only use the battery which is delivered with the charger. Other types of batteries could cause an explosion. Do not attempt to charge alkaline batteries or other types of primary batteries. Do not dispose of batteries in fire as the battery may explode, leak or catch fire.

Keep the charger in a dry place (indoor use only). In order to avoid the risk of fire or electrical shock, the charger must be protected against high humidity and water.

The charger must

- not be used if plug or cover are defective
- not be opened or converted
- kept away from children
- not be used unattended
- be disconnected after use
- be cleaned with a soft cloth only after the plug is disconnected
- be repaired only by authorised personnel

Warranty




Our general conditions of business are applicable with regard to the guarantee. Unauthorised modifications to the appliance, the use of incorrect brushes in addition to using the appliance in a way other than for the intended purpose exempt the manufacturer from any liability for the resulting damage.


Tests and approvals

Electrical tests must be performed in accordance with the provisions of safety regulations (BGV A3) and to DIN VDE 0701 Part 1 and Part 3. In accordance with DIN VDE 0702 these tests must be performed at regular intervals and after repairs or modifications.


Risks

Electrical components


	<p style="text-align: center;">DANGER</p> <p>Electric shock due to faulty mains connecting lead.</p> <p>Touching a faulty mains connecting lead can result in serious or even fatal injuries.</p> <ol style="list-style-type: none"> 1. Do not damage the mains power lead (e.g. by driving over it, pulling or crushing it). 2. Regularly check whether the power cord is damaged or shows signs of ageing. 3. Have the faulty mains connecting lead replaced by your Nilfisk-Alto service representative or a qualified electrician prior to using the appliance again.
	<p style="text-align: center;">DANGER</p> <p>The upper section of the vacuum cleaner contains live components. Contact with live components leads to serious or even fatal injuries.</p> <ol style="list-style-type: none"> 1. Never spray water on to the upper section of the vacuum cleaner.
	<p style="text-align: center;">CAUTION</p> <p>Appliance socket¹⁾.</p> <p>The appliance socket is only designed for the purposes defined in the operating instructions. The connection of different appliances can result in damage.</p> <ol style="list-style-type: none"> 1. Prior to plugging in an appliance, always switch off the vacuum cleaner and the appliance that is to be connected. 2. Read the operating instructions to the appliance to be connected and observe the safety notes contained in these.

CAUTION	
	<p>Damage due to unsuitable mains voltage.</p> <p>The appliance can be damaged as a result of being connected to an unsuitable mains voltage.</p> <ol style="list-style-type: none"> 1. Ensure that the voltage shown on the rating plate corresponds to the voltage of the local mains power supply.


Picking up liquids

CAUTION	
	<p>Picking up liquids.</p> <p>Do not pick up flammable liquids.</p> <ol style="list-style-type: none"> 1. Before liquids are picked up, always remove the filter bag/waste bag and check that the float or the water level limit works properly. 2. The use of a separate filter element or filter screen is recommended. 3. If foam appears, stop work immediately and empty the tank.


Hazardous materials

WARNING	
	<p>Hazardous materials.</p> <p>Vacuuming up hazardous materials can lead to serious or even fatal injuries</p> <ol style="list-style-type: none"> 1. The following materials must not be picked up by the vacuum cleaner: <ul style="list-style-type: none"> - hazardous dust - hot materials (burning cigarettes, hot ash, etc.) - flammable, explosive, aggressive liquids (e.g. petrol, solvents, acids, alkalis, etc.) - flammable, explosive dust (e.g. magnesium or aluminium dust, etc.)

Spare parts and accessories

CAUTION	
	<p>Spare parts and accessories.</p> <p>The use of non-genuine spare parts and accessories can impair the safety of the appliance.</p> <ol style="list-style-type: none"> 1. Only use spare parts and accessories from Nilfisk-Alto. 2. Use only the brushes supplied with the vacuum cleaner or specified in the operating manual.

Emptying dirt tank

CAUTION	
	<p>Picking up environmentally hazardous materials.</p> <p>Materials picked up can present a hazard to the environment.</p> <ol style="list-style-type: none"> 1. Dispose of the dirt in accordance with legal regulations.

Recycling the cleaner

Make the old cleaner unusable immediately.

1. Unplug the cleaner.
2. Cut the power cord.
3. Do not discard of electrical appliances with household waste.



As specified in European Directive 2002/96/EC on old electrical and electronic appliances, used electrical goods must be collected separately and recycled ecologically. Contact your local authorities or your nearest dealer for further information.








Quick reference guide

Pages 2 – 12 feature a pictorial quick reference guide, which is designed to help you when starting up, operating and storing the appliance.

This quick reference guide does not replace the separate operating instructions, which describes the appliance in detail. The operating instructions also contain further information on the operation, maintenance and repair of the appliance.

Meaning of the symbols



The instructions for actions are subdivided into 7 sections, which are represented by symbols.

	A Before starting
	B Control / Operation
	B Connecting electrical appliances
	C Replacement of filter bag
	C Replacement of disposal bag
	C Replacement of filter element
	D After finishing work

An asterisk (*) indicates a model variant or special accessories.

Check whether your appliance is equipped with the control elements or special accessories depicted. If not, please proceed to the next action.

ATTIX 30 / 40 / 50						
	EU	CH,DK	GB 230/240V	GB 110 V	US 120 V	Charger
U [V]	230		230/240	110	120	100-240
f [Hz]	50/60				60	50/60
P _{IEC} [W]	1200			1000		50
IP	IP X4					

	EC conformity declaration
ALTO Deutschland GmbH Guido-Oberdorfer-Straße 2-8 D-89287 Bellenberg	
Product:	Vacuum cleaner for wet and dry operation
Model:	ATTIX 40 / 40 / 50
Description:	230-240 V~, 50/60 Hz
The design of the machine complies with the following regulations:	EC Machine Directive 98/37/EC EC Low Voltage Directive 73/23/EC EC EMC Directive 89/336/EC
Harmonized standards:	EN ISO 12100-1, EN ISO 12100-2 EN 60335-1 EN 60335-2-69 EN 55014-1, EN 55014-2, EN 61000-3-2
National standards and technical specifications:	DIN EN 60335-1 DIN EN 60335-2-69
 Dipl. Ing. Wolfgang Nieuwkamp Tests and Approvals	Bellenberg, 02.01.2008

Nilfisk ALTO

Why Compromise

<http://www.nilfisk-alto.com>

HEAD QUARTER

DENMARK

Nilfisk-Advance Group
Sognevej 25
DK-2605 Brøndby
Tel.: +45 4323 8100
Fax: +45 4343 7700
E-mail: mail@nilfisk-advance.dk

SALES COMPANIES

AUSTRALIA

Nilfisk-ALTO
48 Egerton St.
P.O. Box 6046
Silverwater, N.S.W. 2128
Tel.: +61 2 8748 5966
Fax: +61 2 8748 5960

AUSTRIA

Nilfisk-Advance GmbH
Nilfisk-ALTO
Metzgerstrasse 68
5101 Bergheim/Salzburg
Tel.: +43 662 456 400-0
Fax: +43 662 456 400-34
E-mail: info@nilfisk-alto.at
www.nilfisk-alto.at

BELGIUM

Nilfisk-ALTO
Division of Nilfisk-Advance n.v.s.a.
Internationalelaan 55 (Gebouw C3/C4)
1070 Brussel
Tel.: +32 02 467 60 40
Fax: +32 02 466 61 50
E-mail: info.be-@nilfisk-alto.com

CANADA

Clarke Canada
Part of the Nilfisk-Advance Group
4080 B Sladeview Crescent, Unit 1
Mississauga, Ontario L5L 5Y5
Tel.: +1 905 569 0266
Fax: +1 905 569 8586

CHINA

Nilfisk-Advance (Shenzhen) Ltd.
Blok 3, Unit 130 1001 Honghua Road
Int. Commercial & Trade Center
Fujian Free Trade Zone
518038 Shenzhen
Tel.: +86 755 8359 7937
Fax: +86 755 8359 1063

CZECH REPUBLIC

ALTO Česká Republika s.r.o.
Zateckých 9
14000 Praha 4
Tel.: +420 24 14 08 419
Fax: +420 24 14 08 439
E-mail: info@alto-cz.com

DENMARK

Nilfisk-ALTO
Division of Nilfisk-Advance A/S
Industrivej 1
9560 Hadsund
Tel.: +45 7218 2100
Fax: +45 7218 2105
E-mail: salg@nilfisk-alto.dk
E-mail: service@nilfisk-alto.dk
www.nilfisk-alto.dk

Nilfisk-ALTO Food division
Division of Nilfisk-Advance A/S
Blytækkervej 2
9000 Aalborg

Tel.: +45 7218 2100
Fax: +45 7218 2099
E-mail: scanio.technology@nilfisk-alto.dk

FINLAND

Nilfisk-Advance Oy Ab
Piispantilankuja 4
02240 Espoo

Tel.: +358 207 890 600
Fax: +358 207 890 601
E-mail: jukka.lehtonen@nilfisk-alto.com
www.nilfisk-advance.fi

FRANCE

Nilfisk-ALTO
ALTO France SAS
Aéroparc 1
19 rue Icare
67960 Entzheim
Tel.: +33 3 88 28 84 00
Fax: +33 3 88 30 05 00
E-mail: info@nilfisk-alto.fr
www.nilfisk-alto.com

GERMANY

Nilfisk-ALTO
Division of Nilfisk-Advance AG
Guido-Oberdorfer-Strasse 10
89287 Bellenberg
Tel.: +49 0180 5 37 37 37
Fax: +49 0180 5 37 37 38
E-mail: info@nilfisk-alto.de
www.nilfisk-alto.de

GREECE

Nilfisk-Advance SA
8, Thoukididou str.
164 52 Argiroupolis
Tel.: +30 210 96 33443
Fax: +30 210 96 52187
E-mail: nilfisk-advance@clean.gr

HOLLAND

Nilfisk-ALTO
Division of Nilfisk-Advance BV
Camerastraat 9
3322 BB Almere
Tel.: +31 36 546 07 60
Fax: +31 36 546 07 61
E-mail: info@nilfisk-alto.nl
www.nilfisk-alto.nl

HONG KONG

Nilfisk-Advance Ltd.
2001 HK Worsted Mills Ind'l Bldg.
31-39 Wo Tong Tsui St.
Kwai Chung
Tel.: +852 2427 5951
Fax: +852 2487 5828

HUNGARY

Nilfisk-Advance Kereskedelmi Kft.
II. Rákóczi Ferenc út 10
2310 Szigetszentmiklos-Lakihegy
Tel.: +36 2447 5550
Fax: +36 2447 5551
E-mail: info@nilfisk-advance.hu
www.nilfisk-advance.hu

ITALY

Nilfisk-ALTO
Divisione di Nilfisk-Advance A/S
Località Novella Terza
26862 Guardamiglio (LO)
E-mail: d.puglia@nilfisk-advance.it

JAPAN

Nilfisk-Advance Inc.
247 Nippa-cho, Kouhoku-ku
Yokohama, 223-0057
Tel.: +8145 548 2571
Fax: +8145 548 2541

MALAYSIA

Nilfisk-Advance Sdn Bhd
Sd 14, Jalan KIP 11
Taman Perindustrian KIP
Sri Damansara
52200 Kuala Lumpur
Tel.: +60 3 603 6275 3120
Fax: +60 3 603 6274 6318

NORWAY

Nilfisk-Advance AS
Bjørnerudveien 24
1266 Oslo
Tel.: +47 22 75 17 70
Fax: +47 22 75 17 71
E-mail: info@nilfisk-alto.no
www.nilfisk-alto.no

POLAND

Nilfisk-Advance Sp. Z O.O.
05-800 Pruszków
ul. 3-go MAJA 8
Tel.: +48 22 738 37 50
Fax: +48 22 738 37 51
E-mail: info@nilfisk-alto.pl
www.nilfisk-alto.pl

PORTUGAL

Nilfisk-ALTO
Division of Nilfisk-Advance Lda.
Sintra Business Park
Zona Industrial Da Abrunheira
Edifício 1, 1º A
P2710-089 Sintra
Tel.: +35 808 200 537
Fax: +35 121 911 2679
E-mail: mkt@nilfisk-advance.es

RUSSIA

Nilfisk-Advance LLC
Vyatskaya str. 27, bld. 7
127015 Moscow
Tel.: +7 495 783 96 02
Fax: +7 495 783 96 03
E-mail: info@nilfisk-advance.ru

SINGAPORE

Nilfisk-Advance Pte. Ltd.
Nilfisk-ALTO Division
40 Loyang Drive
Singapore 508961
Tel.: +65 6 759 9100
Fax: +65 6 759 9133
E-mail: sales@nilfisk-advance.com.sg

SPAIN

Nilfisk-ALTO
Division of Nilfisk-Advance S.A.
Torre D'Arca
Paseo del Rengle, 5 Pl. 10
08302 Mataró
Tel.: +3 4 902 200 201
Fax: +34 93 757 8020
E-mail: mkt@nilfisk-advance.es

SWEDEN

ALTO Sverige AB
Member of Nilfisk-Advance Group
Aminogatan 18, Box 4029
431 04 Mölndal
Tel.: +46 31 706 73 00
Fax: +46 31 706 @nilfisk-alto.se
www.nilfisk-alto.se

TAIWAN

Nilfisk-Advance Taiwan Branch
No. 5, Wan Fang Road
Taipei
Tel.: +886 227 002 268
Fax: +886 227 840 843

THAILAND

Nilfisk-Advance Co. Ltd.
89 Soi Chochechai-Ruammitr
Viphavadee-Rangsit Road
Layao, Jatuchak, Bangkok 10900
Tel.: +66 2 275 5630
Fax: +66 2 691 4079

TURKEY

Nilfisk-Advance Profesyonel Temizlik
Ekipmanları Tic. A/Ş.
Necla Cad. No: 48
Yenisahra / Kadiköy
Istanbul
Tel.: +90 216 470 08 - 60
Fax: +90 216 470 08 - 63
www.nilfisk-advance.com

UNITED KINGDOM

Nilfisk-ALTO
Division of Nilfisk-Advance Ltd.
Bowerbank Way
Gilwilly Industrial Estate, Penrith
Cumbria CA11 9BQ
Tel.: +44 1 768 86 89 95
Fax: +44 1 768 86 47 13
E-mail: sales@nilfisk-alto.co.uk
www.nilfisk-alto.co.uk

USA

Nilfisk-Advance Inc.
14600 21st Avenue North
Plymouth, MN 55447-3408
Tel.: +1 763 745 3500
Fax: +1 763 745 3718
E-mail: info@nilfisk-advance-us.com
www.advance-us.com

VIETNAM

Nilfisk-Advance Representative Office
No. 46 Doc Ngu Str.
Ba Dinh Dist.
Hanoi
Tel.: +84 4 761 5642
Fax: +84 4 761 5643
E-mail: nilfisk@vnn.vn