

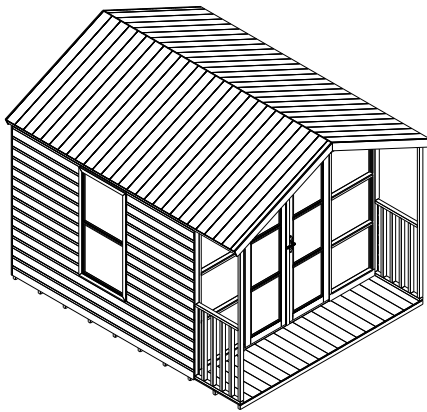
SUMMERHOUSE ASSEMBLY INSTRUCTIONS

ISSUE 0808

SHOULD YOU REQUIRE ANY ADDITIONAL GUIDANCE WITH THE ASSEMBLY OF YOUR SUMMERHOUSE PLEASE CONTACT OUR TECHNICAL HELP LINE ON 0844 248 9853

Thank you for choosing this garden building manufactured by the UK's largest manufacturer of timber garden products. In order to gain the most benefit from it, please note the following:

- Exercise particular care and follow instructions whilst cutting the roofing felt. If it is cut incorrectly, additional roofing felt can be inexpensively purchased from most good DIY retailers or garden centres.
- Most buildings are pre-treated with a factory base coat for protection during storage and transit. We recommend that you treat your new building as soon as possible after assembly, using a wood preservative treatment. Apply in accordance with the manufacturers instructions.
- If there are any technical queries with the product, please contact our customer help line on 0844 248 9853 between the hours of 8.30 am and 5.00 pm Monday to Friday.
- Please ensure that you thoroughly check all component parts for quantity and quality before you commence building the product. If there are any missing parts, please contact the help line as shown immediately. The manufacturer cannot be held liable for damaged items once any part of the product has been fitted or altered in any way (e.g. Painted)
- Timber is a natural material. It will shrink and swell as a result of varying moisture content.
- Please keep all plastic bags and small parts away from children in order to reduce the risk of suffocation.



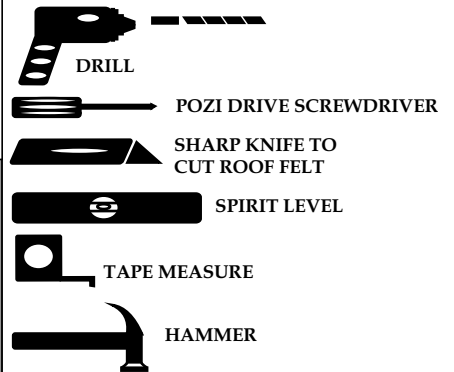
Salisbury Summerhouse



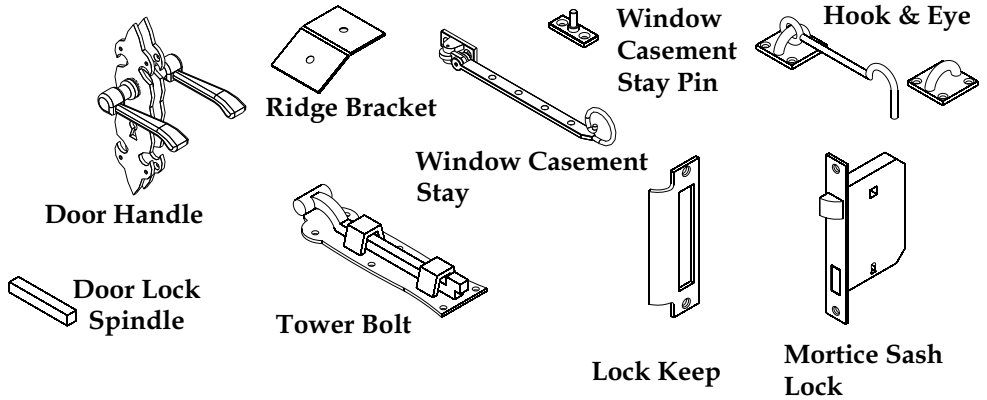
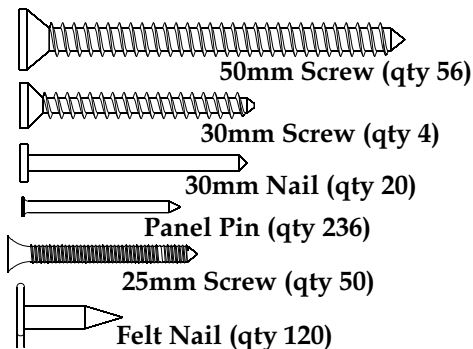
Important : Assembly of this summerhouse requires two people.

Helpful Tip : use the illustration of the screw/nail shown in each step to help you identify which fixing is required during the assembly of your summerhouse.

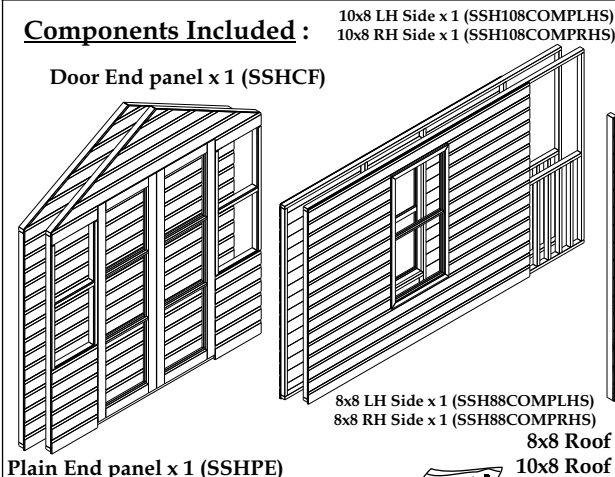
Required Tools : (Not Supplied)



Fixing Pack (SSHFP) Contents :



Components Included :



Loose Timber Items

- Glazing Strips :**
 15x400mm Qty 12 - (15120400DTR)
 15x495mm Qty 24 - (15120495DTR)
 15x505mm Qty 12 - (15120505DTR)
 15x540mm Qty 8 - (15120540DTR)
 15x545mm Qty 26 - (15120545DTR)
 45x545mm Qty 6 - (45120545DTR)
- Corner Strips :**
 60x1825mm Qty 2 - (60121825DTR)
 57x930mm Qty 2 - (57120930DTR)
- Door Slamming Strips :**
 15x12x115mm Qty 2 - (15121115DTR)
 15x12x175mm Qty 2 - (15121755DTR)
- Door Cover Strip :** 40x12x1750mm Qty 1 (40121750DTR)
- Barge Boards :** 83x1425mm Qty 4 - (83121425A1DTR)
- Roof Battens :**
 45x28x1800mm Qty 2 (for 8'x8' Salisbury only) (45281800PAR)
 45x28x2400mm Qty 2 (for 10'x8' Salisbury only) (45282400PAR)

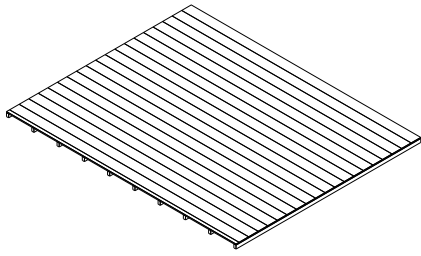
Felt x 2 85060



Fixing Pack x 1

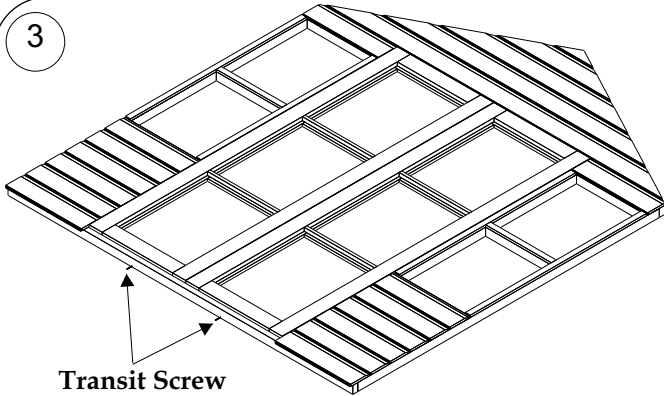
Windows :
 400x530mm Qty 6 - (SANW400530)
 545x518mm Qty 6 - (SANW545518)
 535x570mm Qty 4 - (SANW535570)

1



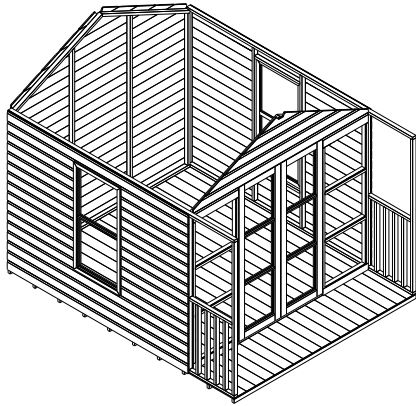
Place pre-assembled floor section (SSH88FL or SSH108FL) on to prepared site. Floor bearers run from left hand to right hand side of summerhouse, position floor section accordingly. **If assembling a 10x8 Salisbury, two floor sections are required. Butt the two sections up against each other with bearers running left to right and all edges square and flush.**

3

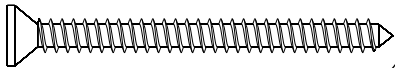


Transit Screw

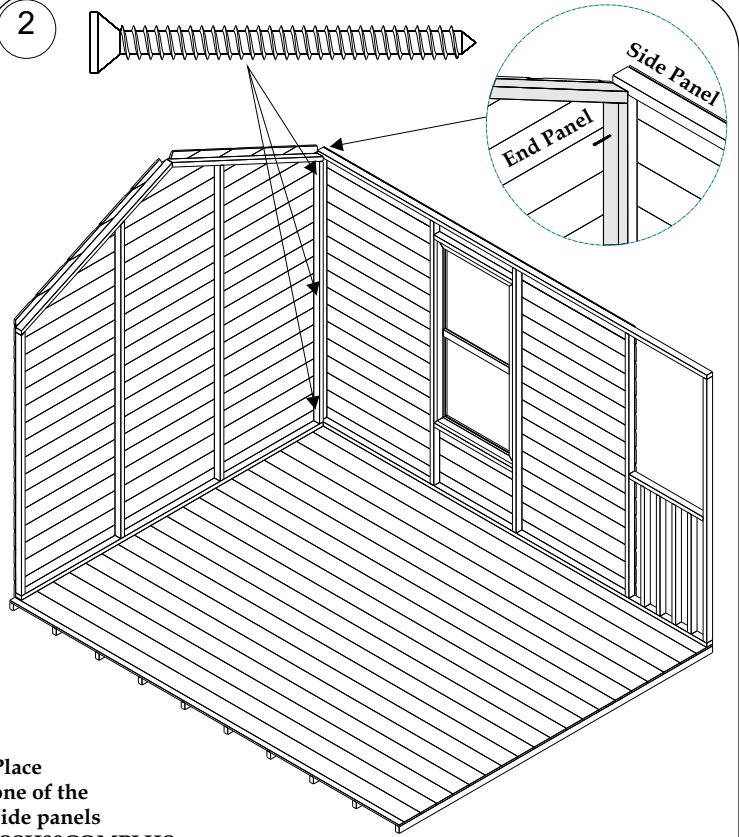
Remove transit screws from bottom of door end panel prior to placing on floor section.



Following the procedure outlined in step 2, place and secure the remaining side panel (SSH88COMPRHS or SSH108COMPLHS) and door end panel (SSHCF). Nine 50mm screws will be required in total to complete this step (three per corner).

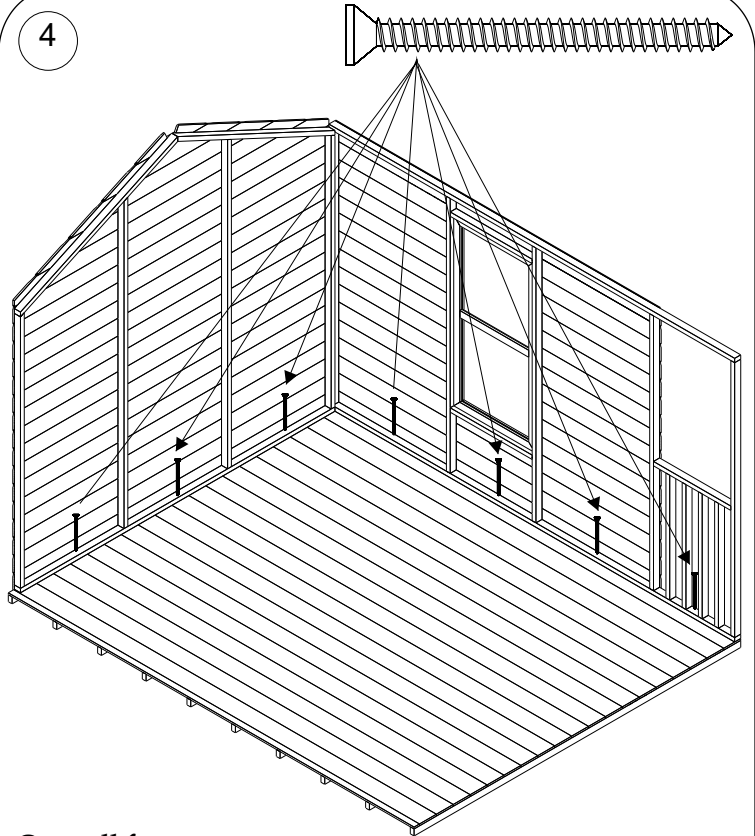


2



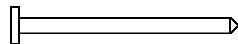
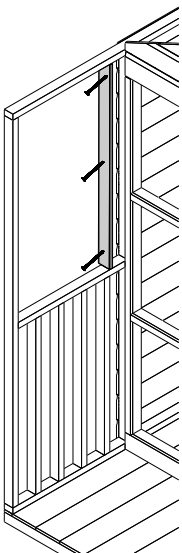
Place one of the side panels (SSH88COMPLHS or SSH108COMPLHS) on to floor section. Left and right hand edges of the panel must be flush with the front and back edges of the floor. Place plain end panel on to floor so that it butts up against side panel. Secure through end panel in to side panel with three 50mm screws as shown above. Do not secure panels to floor at this point.

4



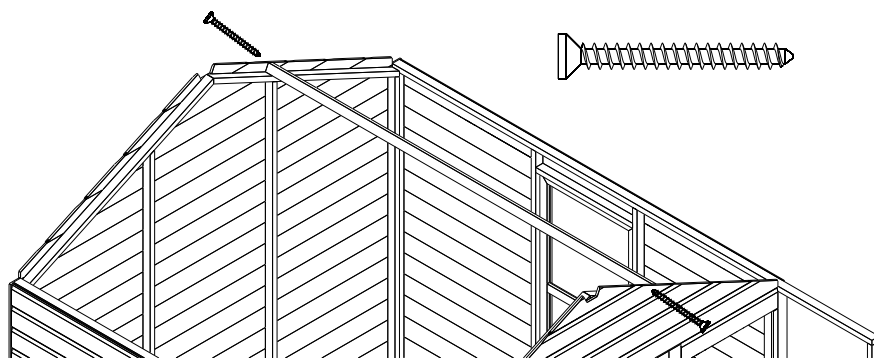
Once all four panels are in place and fastened together, secure each of the end sections to the floor with three 50mm screws, and each of the side panels to the floor with four 50mm screws. Please note : all screws must locate into floor bearers.

5



Attach each of two 57x12x930mm corner strips (57120930DTR) to the front of the building with three 30mm nails. Attach each of the 60x12x1825mm corner strips to the back of the building with three 30mm nails.

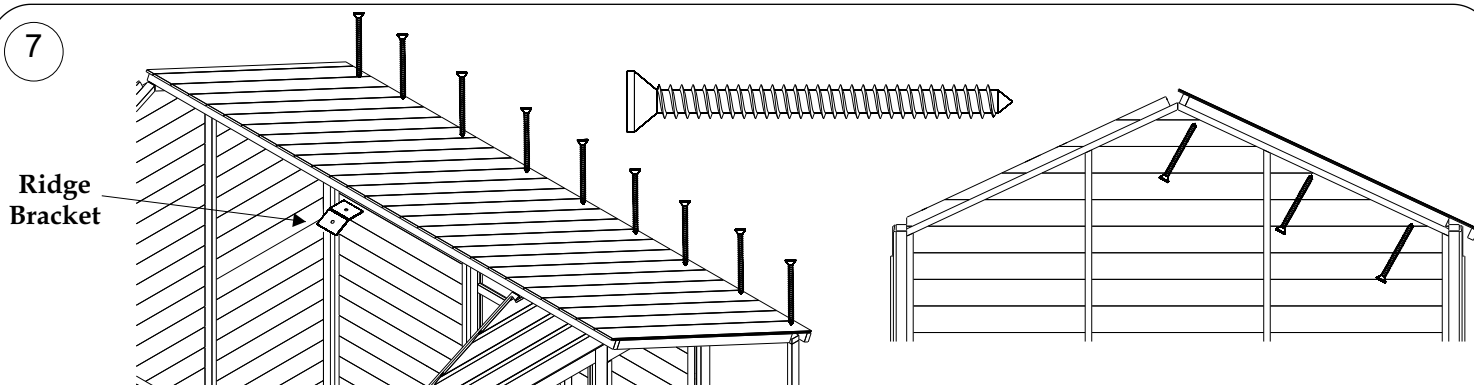
6



DETAIL A

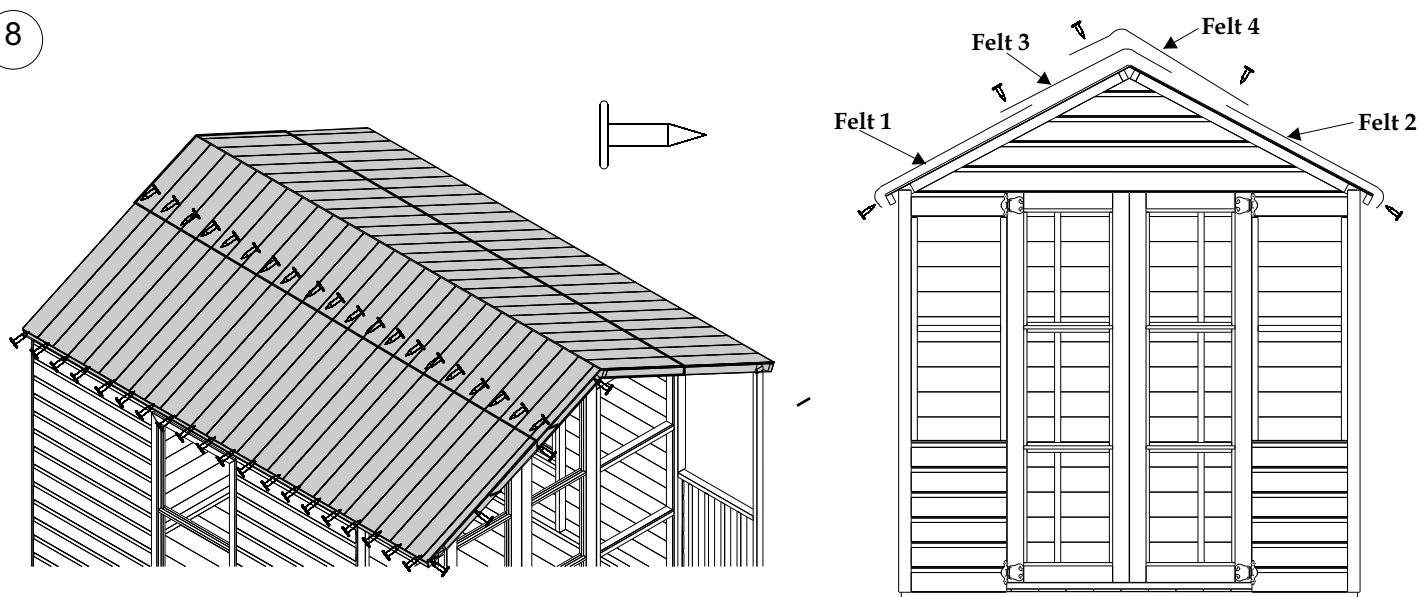
Place batten 45x28x1800mm (for 8'x8' Salisbury 45281800PAR), or 45x28x2400 (for 10'x8' Salisbury 45282400PAR), on top of framework of end sections. Battens should line up with central uprights of end sections. Secure in place with a 30mm screw placed through each end of the summerhouse into each end of the batten. Repeat procedure to position and secure 45x28mm batten at opposite side of summerhouse.

7



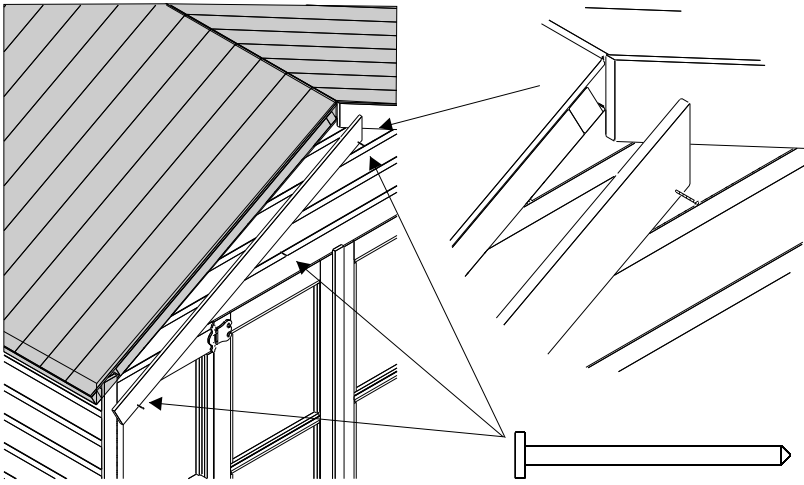
Place one roof section (SSH88RFS or SSH108RFS) on top of the summerhouse. Framework of the roof section should sit on top of framework of end sections. Roof should be flush with veranda framework at front of building. Ensure that roof section is positioned so that when second roof section is placed they meet at a point, and then secure in place with three 50mm screws through the framework of the summerhouse end sections into the roof battens, and 50mm screws placed through the roof section into the framework of the side section at 300mm intervals. Repeat procedure for second roof section. Once both roof sections are in place, secure them together from inside the summerhouse with the provided ridge bracket. Ridge bracket must be fastened to the highest batten on each roof section with a 25mm screw and should be located centrally between the door and plain ends.

8



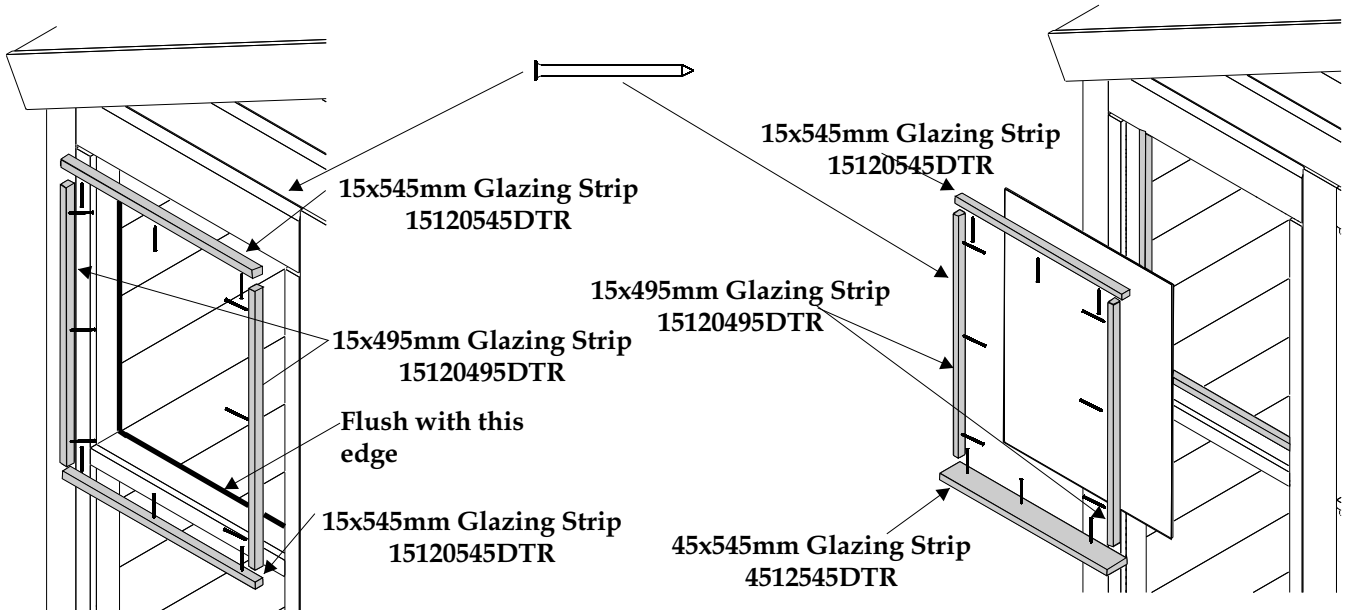
Roll first run of felt on to roof running from end to end of summerhouse. Position as shown above (Felt Sheet One), and allowing approximately 60mm overlap to front, back, and side, cut the felt to length. Secure in place along eave with felt nails placed at 150mm intervals. Tack felt in place at ends of summerhouse. Cut and fold felt at corners and secure fold in place with a felt nail. Repeat procedure for felt sheet 2. Place felt sheets three and four as shown and secure in place with felt nails at 150mm intervals.

9



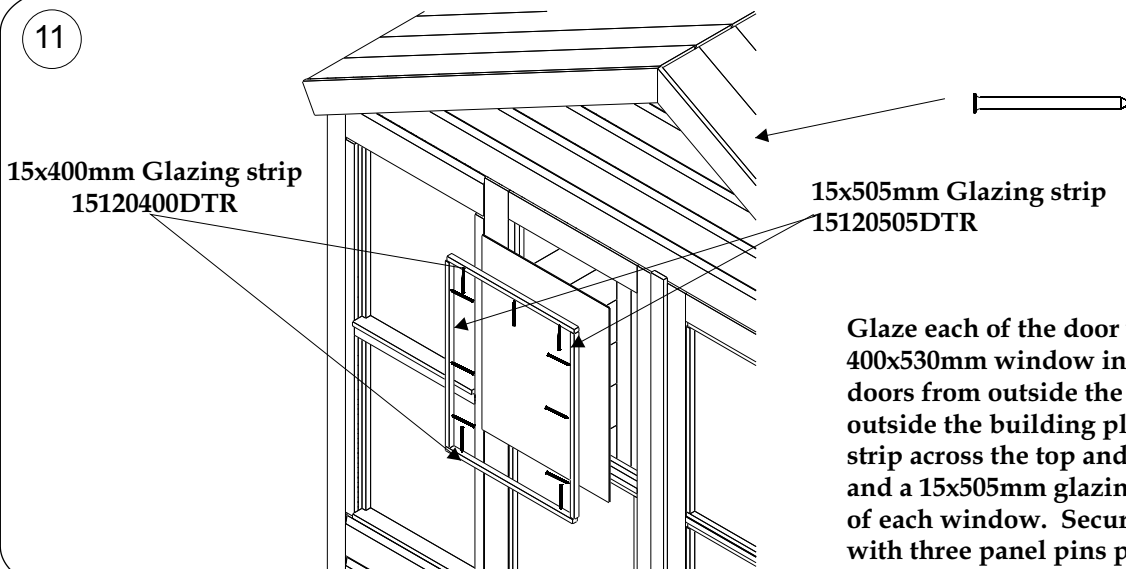
Position angled barge boards on both ends of summerhouse so that top edge of board is flush with the top edge of the roof and the pointed end meets up with the highest point of the roof. Secure each barge board in place with three 30mm nails, placed as shown. Trim off any excess felt that is showing below the barge boards.

10



Glaze each of the windows at the front of the summerhouse (except for door windows) by placing one 15x545mm glazing strip at the top and bottom of the window opening. Place glazing strip flush with internal face of window framework. Secure each glazing strip with three panel pins. Place one 15x495mm glazing strip to the left and right of each window opening, again keeping them flush with the internal face of the window framework secure in place with three panel pins. Position 545x518mm window in to window opening and push it back against glazing strips. Secure styrene in place with one 45x545mm glazing strip across the bottom of each window, one 15x545mm glazing strip across the top of each window, and one 15x495mm glazing strip to the left and right of each window. Fasten glazing strips in place with three panel pins per strip.

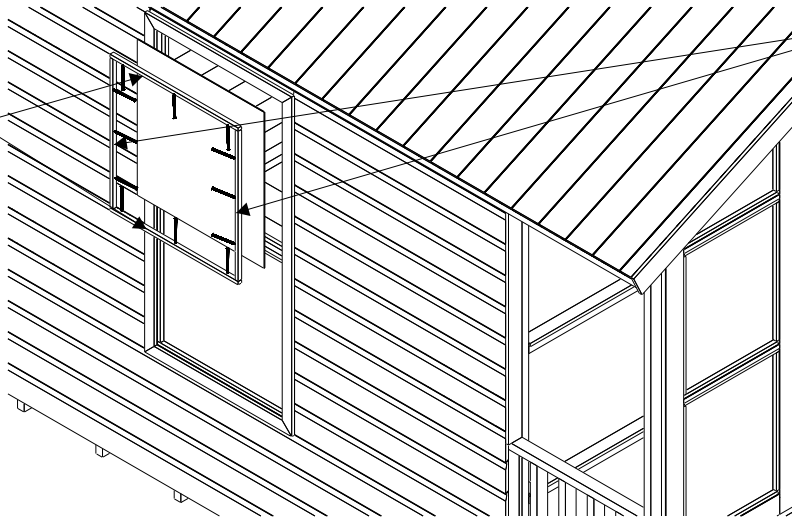
11



Glaze each of the door windows by fitting a 400x530mm window into each opening on the doors from outside the building. Again, from outside the building place a 15x400mm glazing strip across the top and bottom of each window, and a 15x505mm glazing strip to the left and right of each window. Secure glazing strips in place with three panel pins per strip

12

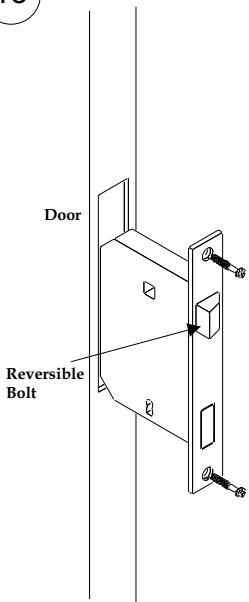
15x540mm
Glazing Strip
15120540DTR



15x548mm
Glazing Strip
15120548DTR

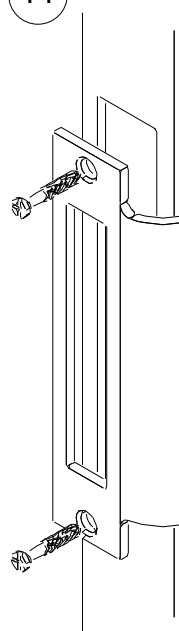
Glaze each of the opening side windows by fitting a 535x570 window into each opening from outside the building. Again, from outside the building place a 15x540mm glazing strip across the top and bottom of each window and a 15x548mm glazing strip to the left and right of each window. Secure glazing strips in place with three panel pins per strip

13



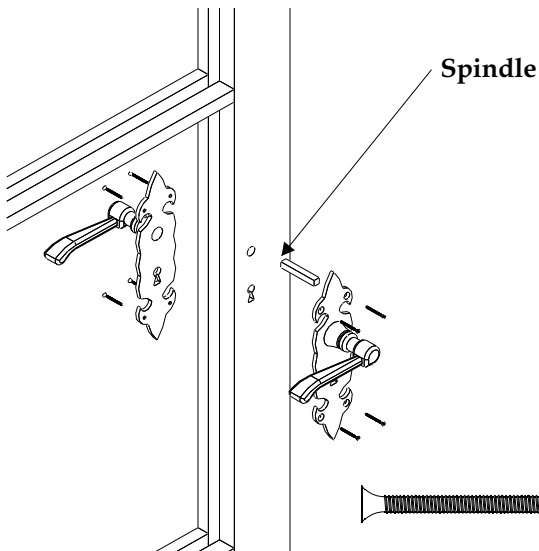
Insert mortice sash lock into pre-cut mortice in door. Please note : the bolt on this lock is reversible. It may be necessary to rotate the bolt in order to make the lock operate correctly (this must be checked prior to placing lock into door). Once positioned correctly, secure the lock in place with two of the screws provided.

14



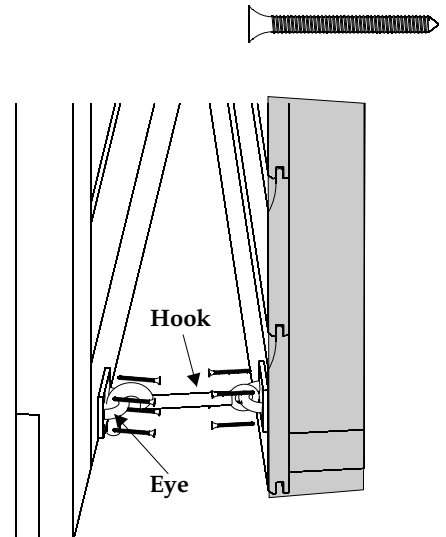
Place lock keeper in pre-cut area on opposite door. Curved lip of retainer must be placed to outside of door. Secure in place with two of the screws provided.

15



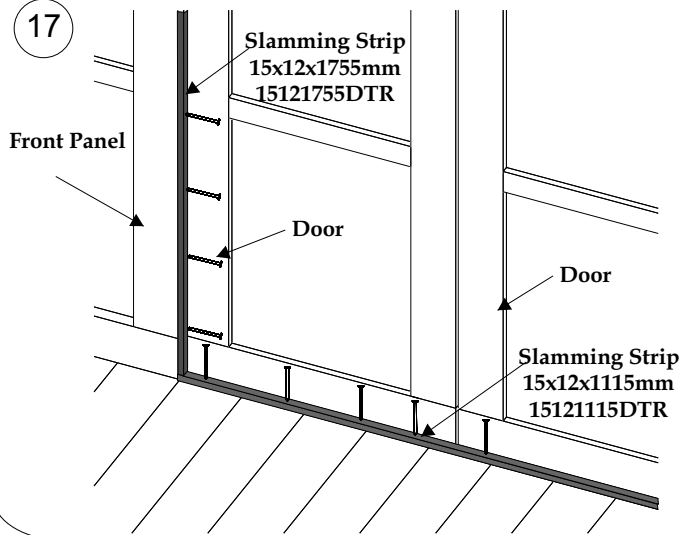
Place door lock spindle in to pre- drilled hole on door. Place a door handle at either side of the door and secure in place with 25mm screws.

16



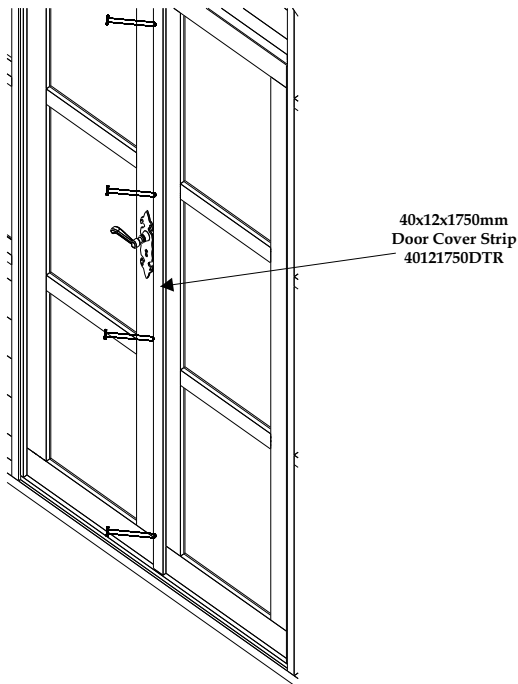
With door open, position hook on corner strip next to door, and position eye on outside of door so that they will hold door open at desired position. Secure both with 25mm screws.

17



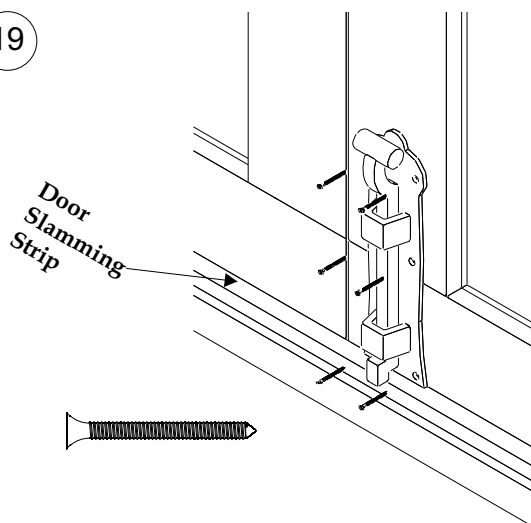
With doors closed, place a 15x12x1115mm door slamming strip along the top and bottom of the door opening, and a 15x12x1755mm door slamming strip down the left and right sides of the door opening (all on inside of summerhouse). All strips must butt up against doors. Secure each strip in place with panel pins at 300mm intervals.

18



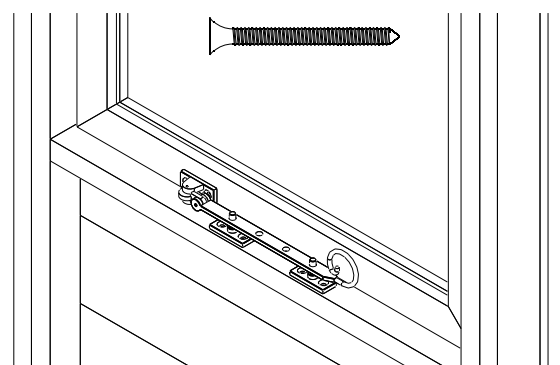
With doors closed, and standing inside summerhouse, attach the 40x12x1750mm door cover strip over the gap between the two doors. Strip must be fastened to door that doesn't have door handle attached with four 30mm nails.

19



Attach a tower bolt to the top and bottom inside of door without handle with 25mm screws. Bolt should be positioned centrally on door upright and sitting slightly above door slamming strip.

20



Attach window casement stay to opening windows with two 25mm screws. Stay should be placed centrally on bottom window batten and flush at the bottom side of the batten (on inside of summerhouse). Position the two window casement stay pins onto the window sill so that they line up with the first and last holes on the window stay, and secure each in place with two 25mm screws.