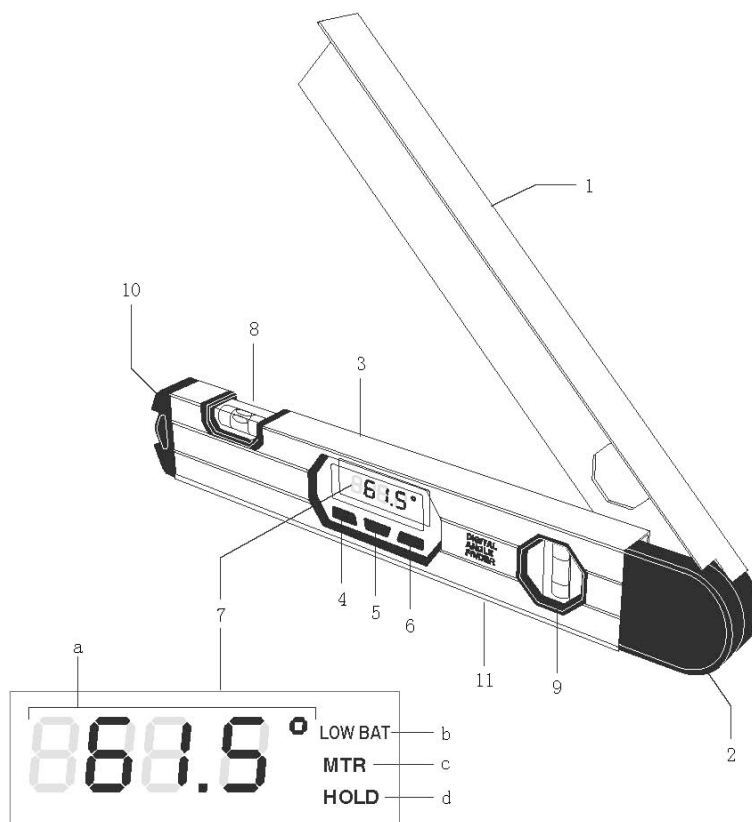


**INSTRUCTION MANUAL**

**Please read and retain for future reference.**



**FIG. 1**

- 1. Fold-out leg
- 2. Joint cover
- 3. Base leg
- 4. “ON/OFF” button
- 5. “Mitre” button
- 6. “HOLD” button
- 7. LCD Display
- 8. Spirit level for horizontal alignment
- 9. Spirit Level for vertical alignment

- 10. End cap/battery lid
  - 11. Contact edge
- DISPLAY ELEMENTS**
- a. Reading
  - b. Low battery indicator
  - c. Mitre(MTR) indicator
  - d. Hold(HOLD) indicator

## Safety Rules for Digital Angle Finder

**Warning:** avoid sharp edges. Be careful in handling, may cause laceration.

**Caution:** the angle finder is a precision measuring instrument. Dropping or banging the device may result in impaired function or future inaccurate readings.

## Technical Data

Measuring range	0° to 220°
Measuring accuracy	
Angle	±0.5°(9mm/m)
Spirit Level	±0.029°(0.5mm/m)
Lowest indication unit	0.1°
Operating temperature	0°C - 50°C
Storage temperature	20°C to 85°C
Battery	1 x 9V (Not Included)
Operating lifetime	Approx. 50h
Automatic switch - Off after approx	5 min
Leg to leg length	450 mm
Weight according to EPTA-Procedure 01/2003	1.1lb

## Preparation

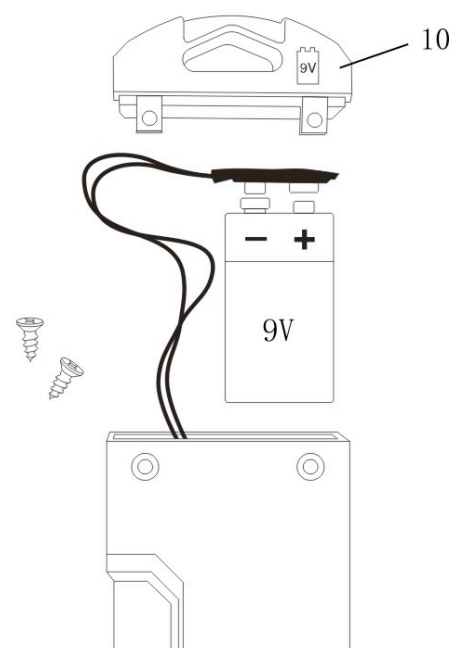
### INSERTING/REPLACE THE BATTERY (FIG. 2)

Use only 9V battery

To open the end cap/battery lid (10), remove two screws and pull out end cap.

Insert the battery onto terminal and re-install end cap and screws.

- When the **LOW BAT** (battery) indicator (b) appears in the display for the first time, measurements are still possible but accuracy may be reduced, please replace battery.
- IF THE MEASURING TOOL IS NOT USED FOR A LONG PERIOD OF TIME, THE BATTERY MUST BE REMOVED. The



battery will corrode or discharge itself over

long periods.

## FIG. 2

### SWITCHING ON AND OFF

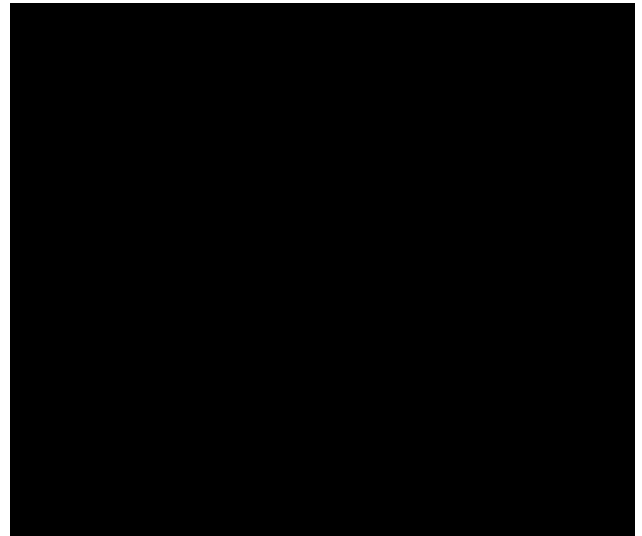
Press the “**ON/OFF**” button (4) to turn the measuring tool on or off. After approximately 5 minutes without the button activation or angle change, the measuring tool shuts off automatically to preserve battery life.

### Operation Instructions

#### MEASURING ANGLES (FIG. 3)

Position the fold-out leg (1) and the base leg (3) plane against the edges to be measured. The displayed reading corresponds with the internal angle ( $w$ ) between the base leg and the fold-out leg.

The reading is indicated on the display until the legs are moved in relation to each other.



#### RETAINING THE MEASURED VALUE (HOLD)

#### FIG. 3

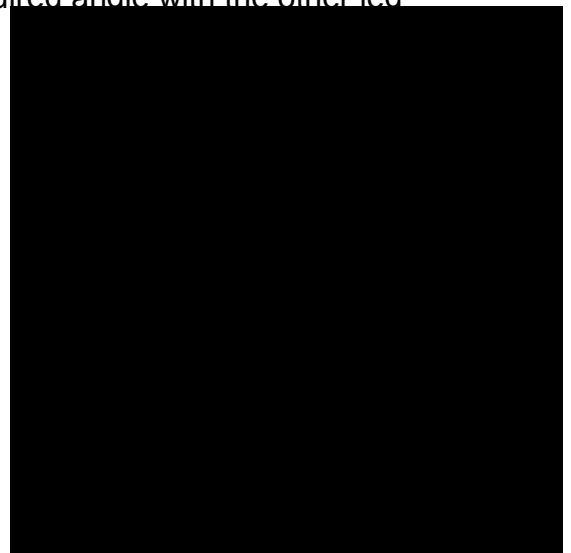
The current reading can be retained in the display by pressing the **HOLD** button (6).

When the hold mode is activated, “**HOLD**” is indicated in the display. The reading remains unchanged (even when the legs are moved in relation to each other) until the **HOLD** button (6) is pressed again.

#### TRANSFERRING ANGLE TO MITRE ANGLES (FIG. 4)

Position the measuring tool with the fold-out leg (1) or with base leg (3) against the angle you want to measure. Adjust the required angle with the other leg and project the angle onto the workpiece.

When directly projecting a measured angle onto a workpiece, pay attention that the fold-out leg (1) and base leg (3) don't move. After pressing the **HOLD** button (6), which stores the measured angle, the user can now activate the **MTR** (mitre) button (5). By pressing the MTR button (5), the Angle Finder is taking the measured angle and converting it to the correct Mitre Cut Angle.



This measurement is what you need to set your mitre saw in order to create the correct cut.

FIG. 4

## Maintenance and Service

For safe and proper working, always keep the measuring tool clean.

**Do not** immerse the measuring tool into water or other fluids.

Wipe off debris using a moist and soft cloth.

**Do not** use any cleaning solvents.

If the measuring tool should fail despite the care taken in manufacturing and testing procedures, repair should be carried out by an authorized after-sales service centre for this tool.

In all correspondence and spare parts orders, please always include the 10-digit article number given on the type plate of the measuring tool.

## DISPOSAL

Multi-detectors, accessories and packaging should be sorted for environments-friendly recycling.



## Environmental Protection



Waste electrical products should not be thrown away with household waste.

Please recycle where facilities exist.

Check with your local authority or retailer for recycling advice.

Declaration of Conformity

We

**SITE (UK) Ltd., BA22 8RT**

Declare that the product  
**(Digital Angle Finder, EPT-DAF)**

complies with the essential health and safety requirements of the following  
Directives:

**(EMC Directive 89/336/EEC)**

Standards and technical specifications referred to:  
**(EN61326/A3:2003)**

Authorised Signatory

*P.C. Harries*

Name: Peter Harries  
Quality Assurance Manager

Date **(12/04/07)**

