



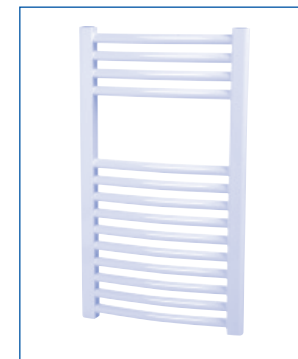
- Align the fixing stems (E) with the wall supports (I) and push the towel rail into position.
- Tighten the fixing bolts (B) ensuring fixing bushes are correctly located between the rails of the towel rail, see figure 2, and spaced equally from the ends of the rail.
- Ensure the rail is pushed firmly against the wall and sits vertically before tightening the small screws to secure.
- Fit the four covers (A) provided into the sockets of the fixings.
- Fit the radiator valves (not supplied) and connect to the heating circuit.
- Check all joints and fittings are secure before filling with water, venting the towel rail as required.
- Once the system is proved to be sound it should be drained and thoroughly flushed with appropriate chemicals to remove any debris and residual flux.
- Drain and refill, vent as required.
- Run the boiler for at least an hour to test for soundness when hot and when satisfied add sufficient central heating protector to protect the system.

# Towel Rail Installation & User Instructions

Read these instructions carefully before installing the towel rail.

Failure to correctly flush the system and add sufficient protection may give rise to pinhole leakage and will invalidate the guarantee.

Instructions apply to the products below:



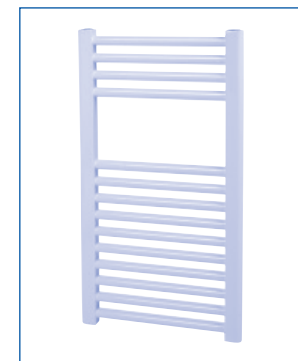
Curved White Towel Rail



Curved Chrome Towel Rail



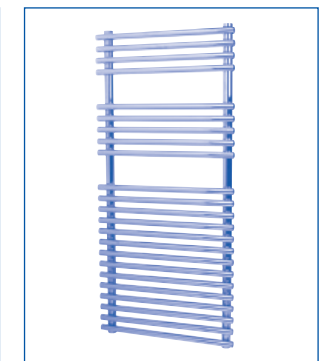
Chrome O-Profile Towel Rail



Flat White Towel Rail



Flat Chrome Towel Rail



Chrome Bar on Bar Towel Rail

## Important note for the user

Your new towel rail is delivered to you in pristine condition. In order to keep it looking this way **do not use abrasive cleaners**. To clean painted towel rails use a slightly damp cloth with a weak soap solution. For chrome towel rails it is recommended to use a chrome cleaning cloth or a dilute solution of mild detergent and lint free cloth.



## Installation

Installation should be carried out by a competent person in accordance with:

### BS 5449:1990

Specification for forced circulation hot water central heating systems for domestic premises.

### BS 7593:2006

Code of practice for treatment of water in domestic hot water central heating systems.

### BS EN 12831:2003

Heating systems in buildings. Methods for calculation of the design heat load.

### BS EN 12828:2003

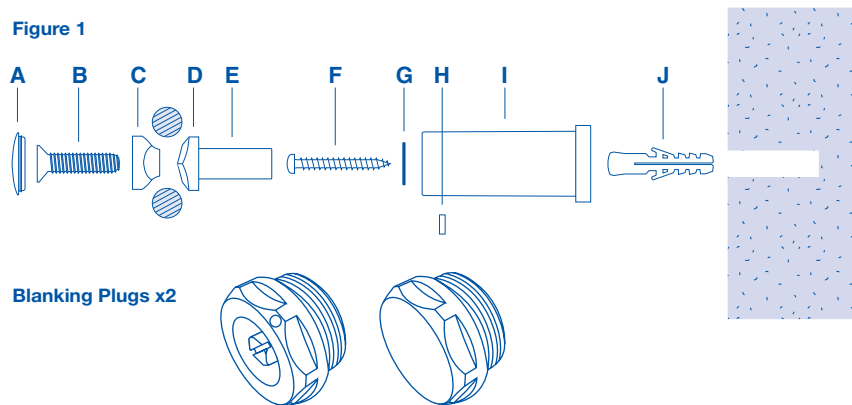
Heating systems in buildings. Design for water based heating systems.

## Pre-Installation Checks

- Check the Towel Rail for damage and finish before installation.
- Check that the Towel rail is suitable for the application and space available.
- Check the contents of the fittings provided; there should be two plugs, one with vent and the other blank with four of each component shown in figure 1 below. The Hatched circles represent the location of the towel rail.

## Contents of fittings

Figure 1



Blanking Plugs x2

**Note:** This product must not be installed on a Direct Central Heating System where a proprietary protector cannot be used.

## Installation

1. Screw the two blanking plugs into the top of the towel rail ensuring the vented plug will be accessible after installation. Tighten with a 22mm spanner.
2. Apply sufficient PTFE tape, in a clockwise direction, to the threads of the radiator valve tails (not supplied)
3. Turn the towel rail upside down and screw in the valve tails (not supplied) ensuring a sound joint is made. Please note that there is no flange to stop the tails turning continuously. Do not over tighten.
4. Select the desired mounting position ensuring the wall is sufficiently strong to hold the product securely when in use. Brick walls are ideal for this application but plasterboard walls should have noggings located to support the product.
5. Mark the positions of the four mounting brackets ensuring that each pair of holes are level and square and will be correctly located between the rails when assembled. Ensure the fixing brackets will be close to the sides of the towel rail for best support.
6. Drill the four holes required using an appropriately sized drill. 8mm for brick walls, 4mm for wooden noggings.
7. Insert the small screws (H) into the sides of the wall supports (I) ensuring the points **do not** go through the plastic.
8. Using the screws (F), washers (G) and plugs (J if required) secure the supports (I) to the wall.
9. Loosely fit the fixing stem (E) and bushes (C & D) to the towel rail using the bolts (B) provided and noting the correct position and orientation of each bush, which is dependant on the type of towel rail and pitch of the rail used. See figure 2 for details. When fitted the head of the bolt should be on the outside of the towel rail.

Figure 2

