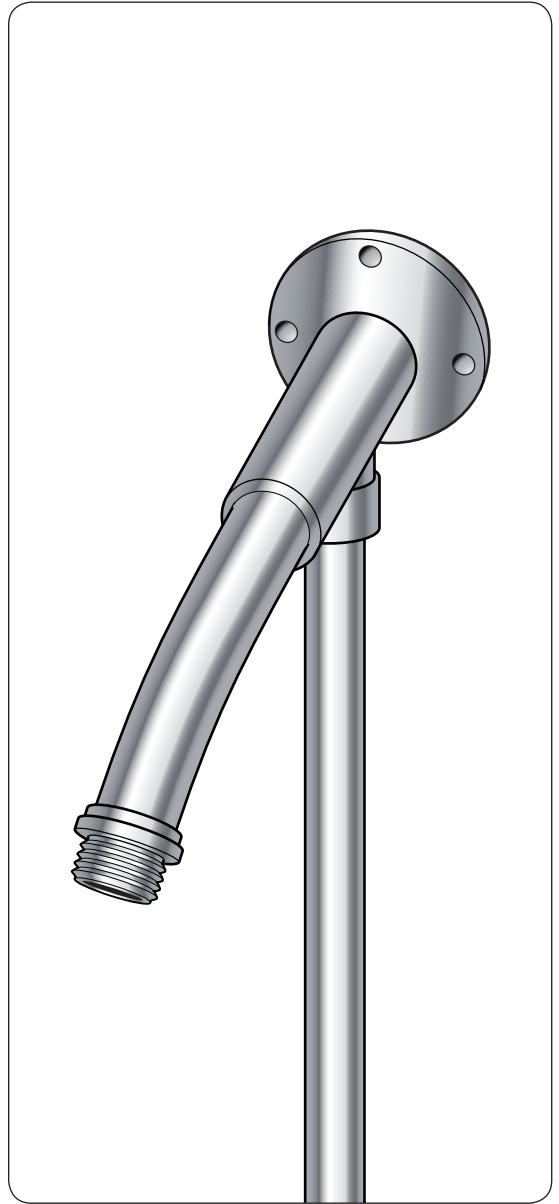


***Shower arm
(exposed)***



INSTALLERS PLEASE NOTE THESE INSTRUCTIONS ARE TO BE LEFT WITH THE USER

SHOWER ARM (EXPOSED)

INTRODUCTION

Your shower is supplied with a shower arm which is suitable for use with exposed shower installations.

INSTALLATION

Make sure the mixer installation is complete as instructed by the fitting guide.

Insert the two sections of riser pipework into the push-fit connector (**fig.1**). Make sure both parts fit securely.

Note: Applying a small amount of silicon oil or similar in the push-fit connector may ease the fitting of the pipework.

Push fit the showerhead arm onto the riser pipework.

Note: The pipework can be cut to suit. If cutting the pipework, always make sure the cut end is deburred. This cut end **MUST** be fitted to the valve outlet.

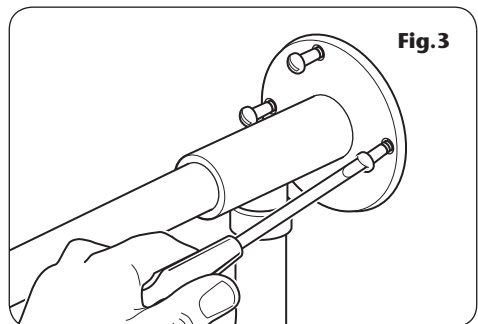
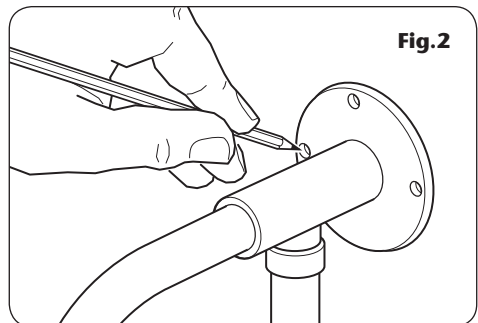
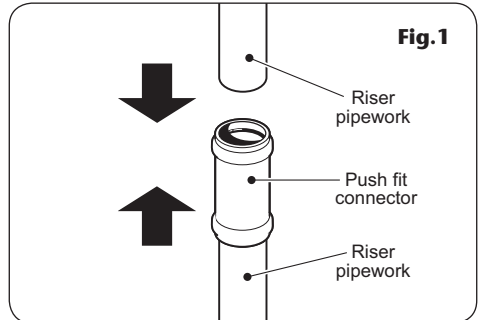
Offer the shower arm/riser assembly to the mixer outlet. Making sure the rail is aligned vertically, mark the position of the three fixing holes (**fig.2**).

Remove the assembly from the wall. Drill and plug the wall. (*The wall plugs provided are suitable for most brick walls — use an appropriate masonry drill, but if the wall is plasterboard or a soft building block, use suitable wall plugs and an appropriate drill bit.*)

Replace the shower arm/riser assembly to the mixer outlet. Using suitable screws secure the arm to the wall (**fig.3**).

SPARES

Shower arm (complete) – chrome	88400010
Riser pipe – chrome	88400005



Please refer to shower installation and operating instructions for service details