

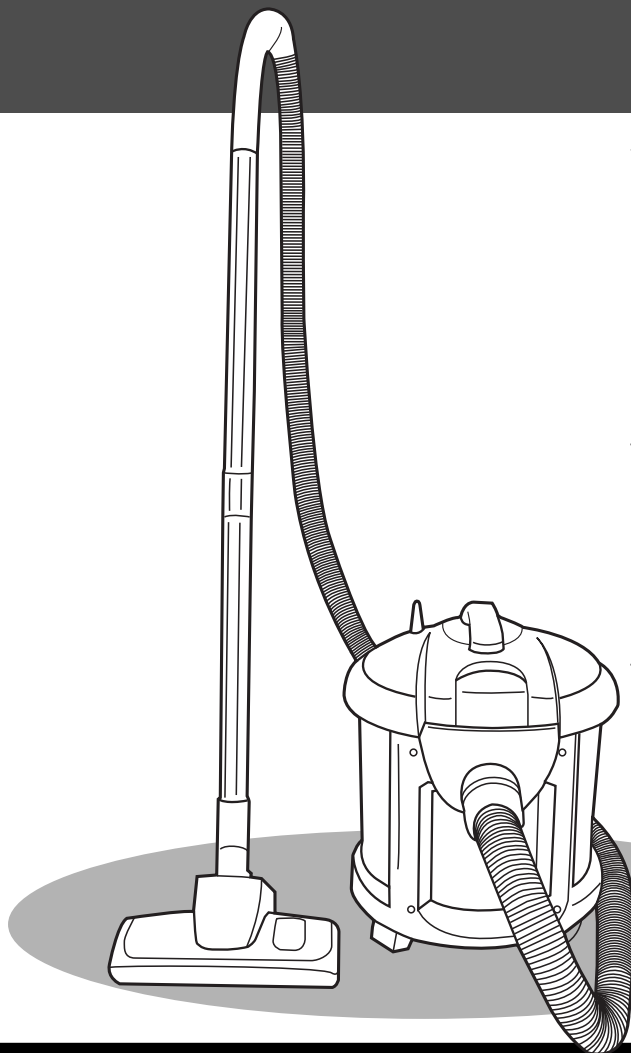


Vax careline  
0870 1129 145  
(UK only)

# Commercial bagged cylinder

## VCC-05

Vax model number:  
VCC-05



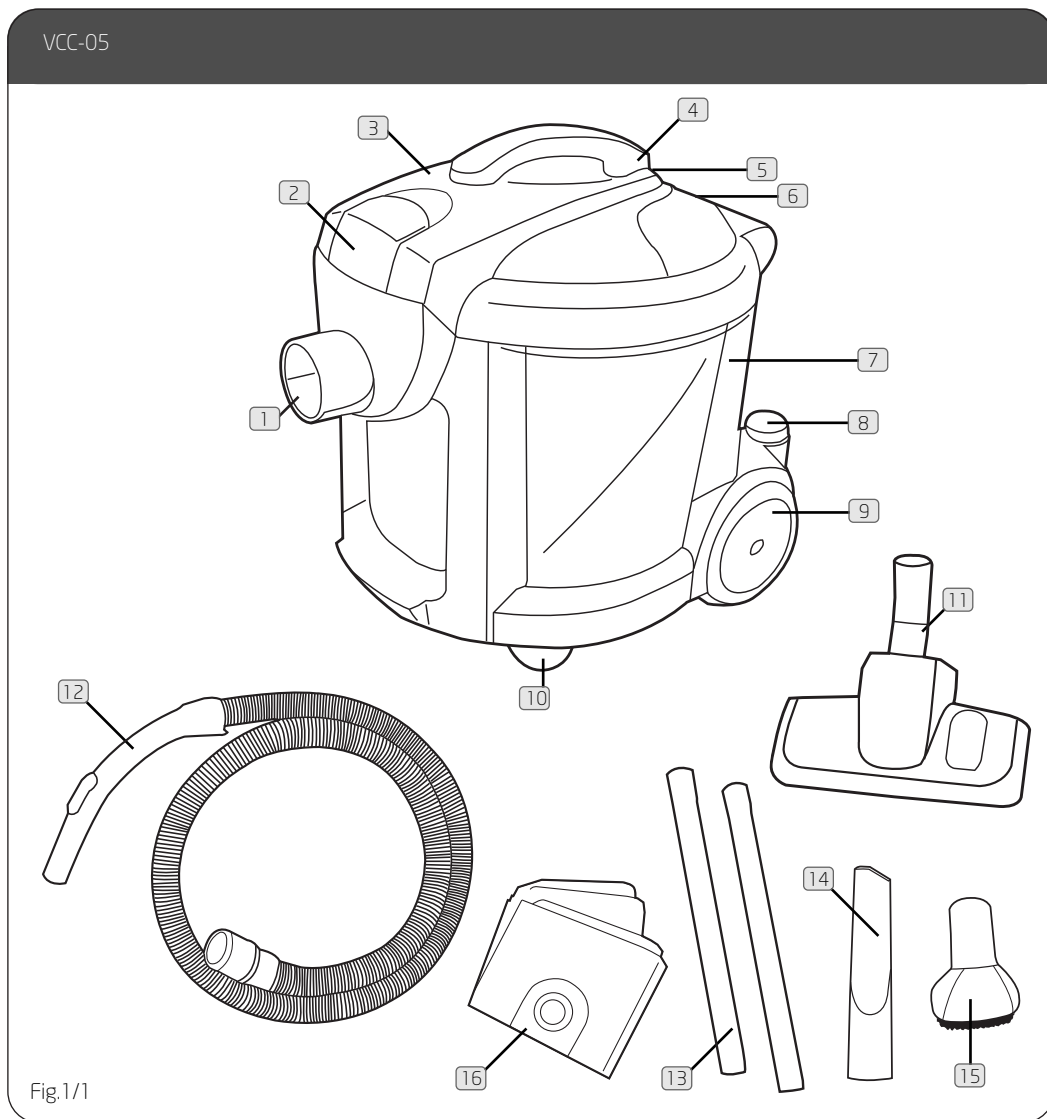
instruction manual

[www.vaxcommercial.co.uk](http://www.vaxcommercial.co.uk)

Please read carefully before using this cleaner.  
Always fully extend the mains cable before use.  
Retain for future reference.

Vax VCC-05

# 1. Diagram



- |                           |                           |                         |
|---------------------------|---------------------------|-------------------------|
| 1 Hose inlet              | 7 Exhaust grill           | 13 Extension tubes      |
| 2 Top cover retainer clip | 8 On/off button           | 14 Crevice tool         |
| 3 Top cover               | 9 Wheel                   | 15 Dusting brush        |
| 4 Carry handle            | 10 360° rotating casters  | 16 Paper dust bags (x3) |
| 5 Power cord storage      | 11 Combination floor tool |                         |
| 6 Parking slot            | 12 Flexible hose          |                         |

## 2 parts overview

## 2. Safety Information

### FOR COMMERCIAL USE ONLY.

When using the vacuum cleaner, basic safety precautions should always be observed, including the following:

1. This appliance is for dry use only and is not to be used or stored outdoors or in wet conditions.
2. Turn off the vacuum cleaner controls before connecting to or disconnecting from the mains supply.
3. Always unplug the vacuum cleaner before connecting or disconnecting the vacuum hose.
4. Children should be supervised to ensure that they do not play with the appliance.
5. This appliance is not intended for use by persons (including children) with reduced physical, sensory or mental capabilities, or lack of experience and knowledge, unless they have been given supervision or instruction concerning use of the appliance by a person responsible for their safety.
6. Use only as described in this manual. Use only the manufacturer's recommended attachments. This appliance is suitable for commercial use, for example in hotels, schools, hospitals, factories, shops, offices and rental businesses.
7. Do not use the vacuum cleaner with a damaged cord or plug. Do not use the vacuum cleaner if it has been dropped, damaged, left outdoors or dropped into water. Return the vacuum cleaner to a Vax Authorised Service Agent or suitably qualified person for examination, repair or adjustment.  
Call 08701129145 for your nearest service centre.  
Regularly examine the power cord for damage, such as cracking or ageing. If damage is found replace the cord before further use.
8. Do not pull or carry by the cord. Do not use the cord as a handle, close a door on the cord or pull the cord around sharp edges or corners. Do not run the vacuum cleaner over the cord. Keep the cord away from heated surfaces.
9. Do not handle the plug or vacuum cleaner with wet hands. Do not use outdoors or on wet surfaces.
10. Do not put any objects into openings. Do not use with any openings blocked and do not restrict air flow. Keep all openings free of dust, lint, hair or anything that may reduce airflow.
11. Keep hair, loose clothing, fingers and all parts of the body away from openings and moving parts.
12. Do not pick up hot coals, cigarette butts, matches or any hot, smoking or burning objects.
13. Do not pick up flammable, hazardous dust or combustible materials (lighter fluid, petrol, kerosene, etc)

or use in the presence of explosive liquids or vapours.

14. Do not vacuum up harmful or toxic material (chlorine bleach, ammonia, drain cleaner, etc).
15. Do not vacuum up hard or sharp objects such as glass, nails, screws, coins, etc.
16. Do not use without the filters in place.
17. Use extra care when vacuuming on stairs.
18. Keep vacuuming area well lit.
19. Store the vacuum cleaner indoors in a cool, dry area.
20. Turn off the switch before unplugging.
21. Use only CE-approved 13 amp extension cords. Non-approved extension cords may overheat. Care should be taken to arrange the cord so that the cord cannot be pulled or tripped over.
22. Regularly examine the supply cord for damage, such as cracking or ageing. If damage is found replace the cord before further use.

**!** **WARNING:** Always switch off and unplug the vacuum cleaner from the electrical outlet before assembling, opening or emptying the dirt container, or before connecting/disconnecting the attachments.

**!** **CAUTION:** The vacuum cleaner is a very powerful unit. Before plugging the cord into the outlet make sure the switch is in the 'off' position. Hold the vacuum cleaner firmly when starting and in use.

**!** **IMPORTANT:** If the inlet or hose is blocked, switch off the vacuum cleaner and remove the blockage(s) before re-starting the vacuum cleaner.

**!** **IMPORTANT:** Cleaning filters improves vacuum performance. Make sure all filters are replaced back into the vacuum cleaner before using. Vax recommends replacing the pre-motor filter when it becomes discoloured.

This appliance is suitable for commercial use.

**PLEASE KEEP THESE INSTRUCTIONS FOR FURTHER USE.**

### Motor Thermostat

**IMPORTANT:** The motor is equipped with a thermal cut-out. If for any reason, the vacuum cleaner should over-heat, the thermostat will automatically turn the unit off. Should this occur, unplug the vacuum cleaner from the electrical outlet and turn off the switch. Remove the dirt container and empty. Clean the filters. Allow the cleaner to cool for approximately one (1) hour. To re-start, plug into an electrical outlet and switch back on.

Vax VCC-05

### 3. How to Assemble

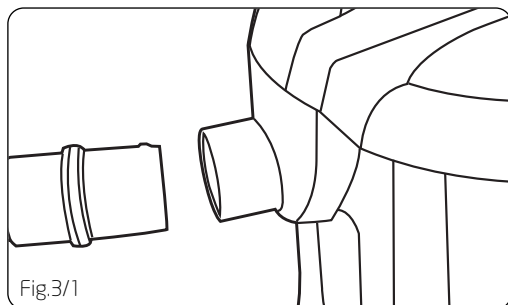


Fig.3/1

1. Insert the flexible hose into the inlet on the main body of the vacuum cleaner. Turn the hose clockwise until it cannot be turned any further (Fig.3/1).

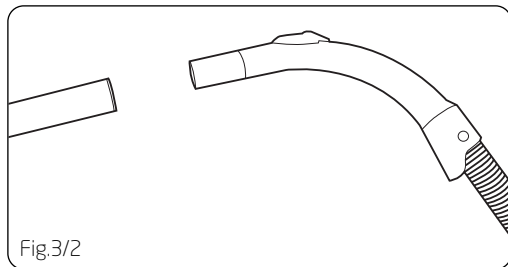


Fig.3/2

2. Push the extension tube on to the end of the handle. The extension tubes can be used together to lengthen or shortened by using one section of the extension tube as required.(Fig.3/2).

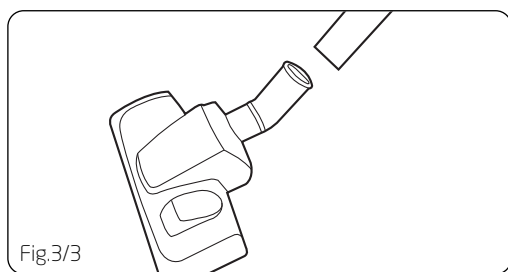


Fig.3/3

3. Fit the combination floor head by pushing onto the extension tube. (Fig.3/3).

### 4. How to Operate

#### On/Off Button

Insert the power plug into the electrical outlet. Ensure the vacuum cleaner is switched off. Press the on/off button located at the rear of the machine to turn on and press the button again to turn the vacuum cleaner off. (Fig.4/1)

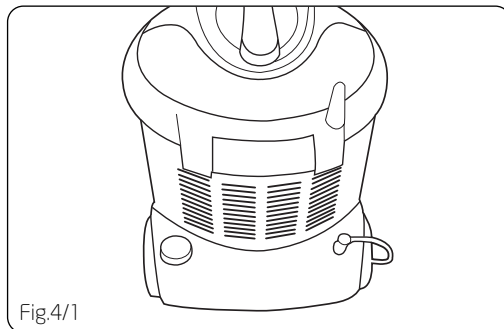


Fig.4/1

#### Carpet Cleaning

For carpet and rug cleaning press the rocker switch on the combination floor head to raise the brushes. (Fig.4/2 )

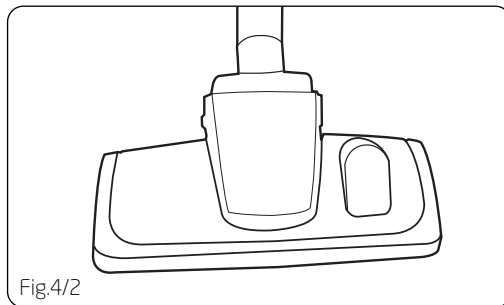


Fig.4/2

#### Hard Floor Cleaning

For hard floor cleaning, press the rocker switch on the combination floor head to lower the brushes. (Fig.4/3)

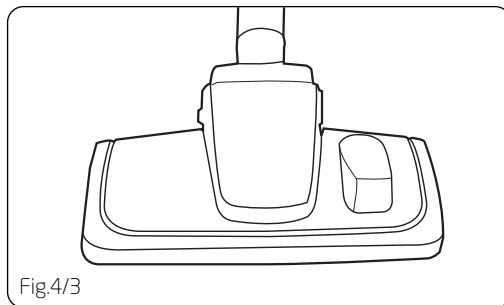
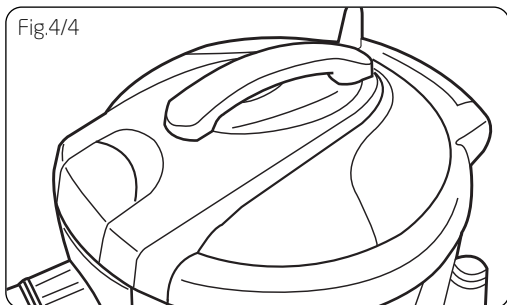


Fig.4/3

**Carry Handle**

Use the carry handle located on the top of the machine to move the vacuum cleaner from room to room. (Fig.4/4)

Fig.4/4

**6. Accessories**

The accessories can be attached directly to the handle by removing the extension tube and pushing in the desired accessory.

The accessories can also be attached to the extension tube for extra reach. Remove the combination floor head and push on the desired accessory.

**Crevice Tool**

For crevices, corners, cracks etc.

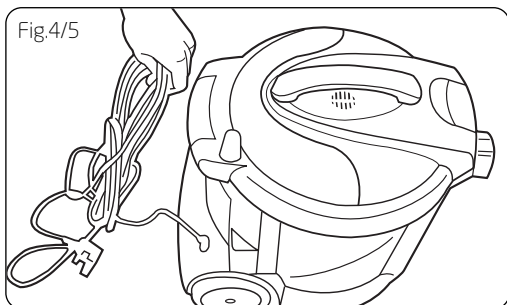
**Dusting Brush**

For delicate surfaces.

**Cable Storage**

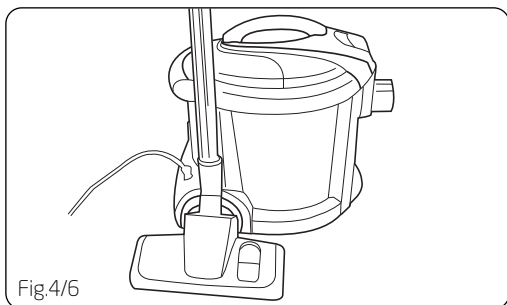
After use, turn the vacuum cleaner off and unplug from the electrical outlet. Wrap the cord around the cable storage hook for moving the unit from room to room or for storage. (Fig.4/5)

Fig.4/5

**Hose Storage**

For convenience there is a parking slot located on the side of the vacuum cleaner where the floor tool and hose can be parked for carrying and storage. (Fig.4/6)

Fig.4/6



Vax VCC-05

## 7. Dirt Container & Filters: Removal & Replacement

**!** **IMPORTANT:** Always unplug the vacuum cleaner from the electrical outlet before removing the dust bag.

**!** **IMPORTANT:** DO NOT use the vacuum cleaner without ALL of the filters in place.

### Dust Bag Replacement

1. Turn off the vacuum cleaner and unplug it from the mains. Remove the hose unclip the retainer clip on the top of the unit and lift up to gain access to the dust bag compartment. (Fig.7/1)

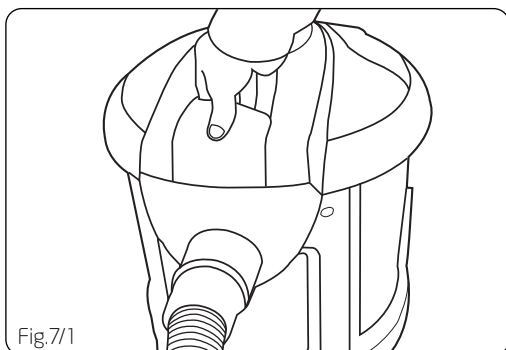


Fig.7/1

2. Lift out the full paper dust bag Fig.7/2

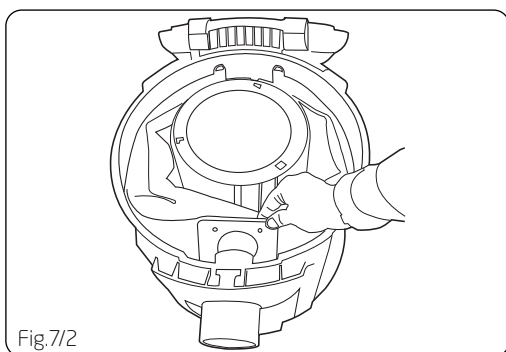


Fig.7/2

3. Dispose of the full paper dust bag and insert a new paper dust bag into the vacuum cleaner aligning the front of the paper dust bag with the air entrance.

**NOTE:** The seal ring around the dust bag opening should cover the air entrance connector inside the housing.

### Pre-motor Filter

1. Turn off the vacuum cleaner and unplug it from the electrical outlet.
2. Unclip the retainer clip on the top of the vacuum cleaner and lift up to gain access to the dirt container department. (Fig.7/3)

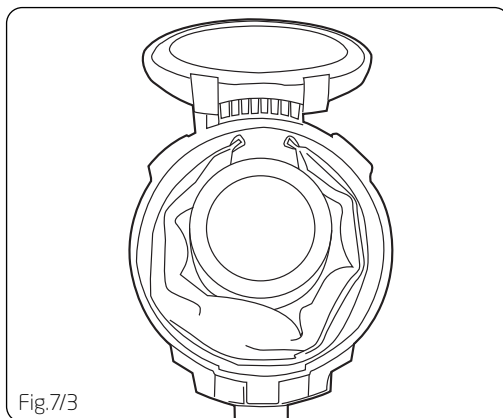


Fig.7/3

3. The pre-motor filter is found in the centre of the dirt container. Rotate the filter retaining disc anti-clockwise to gain access to the filter (Fig.7/4).

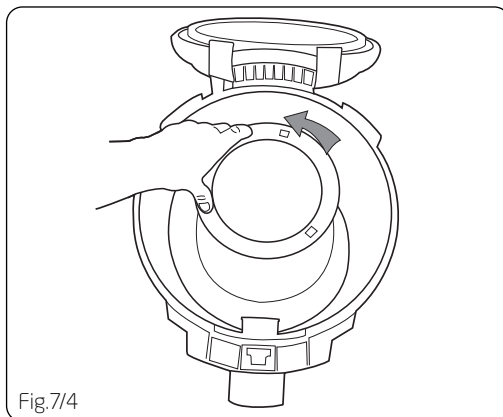


Fig.7/4

4. The pre-motor filter can be lifted out. (Fig.7/5)

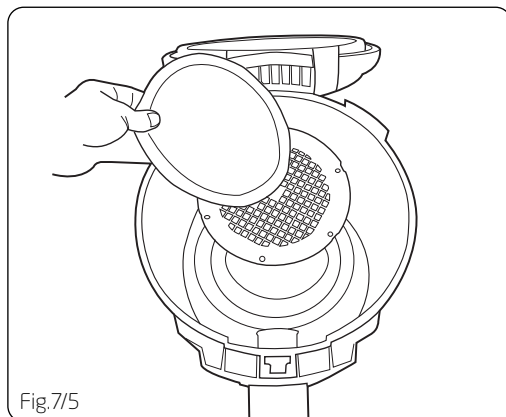


Fig.7/5

**NOTE:** Vax recommends replacing the pre-motor filter when it becomes discoloured.

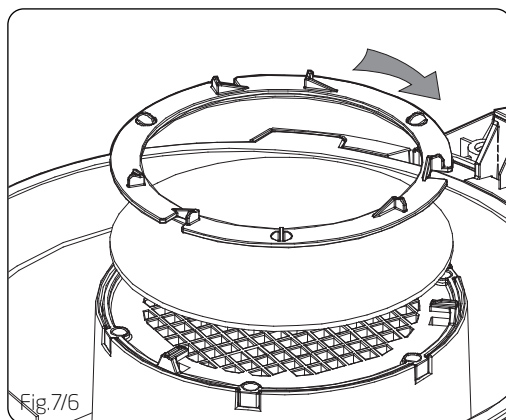


Fig.7/6

5. Replace with a new filter inside and turn the retaining disc clockwise to secure. (Fig.7/6)

## 8. Clearing Blockages

**! WARNING:** To reduce the risk of electrical shock the power cord must be disconnected before performing maintenance or troubleshooting checks.

Turn vacuum cleaner off and disconnect the power plug from the electrical outlet.

The flexible hose can be disconnected from the vacuum cleaner by rotating anti-clockwise and pulling away from the machine. Remove any blockages found then reconnect the hose.

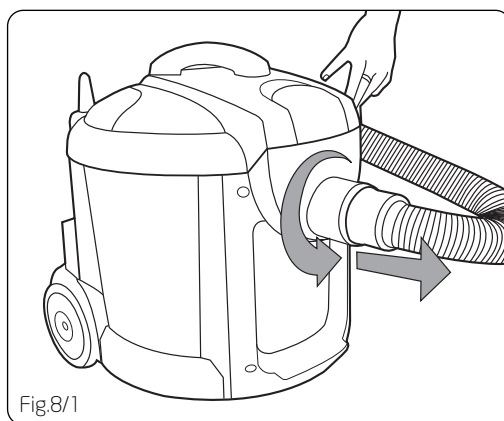


Fig.8/1

## 9. Troubleshooting



**WARNING:** To reduce the risk of personal injury, unplug the vacuum cleaner before servicing.

### PROBLEM: Vacuum cleaner won't run

**Cause:** Not properly plugged into electrical outlet.

**Solution:** Plug unit in firmly.

**Cause:** Vacuum cleaner not turned on.

**Solution:** Press on/off button.

**Cause:** No electricity in the electrical outlet.

**Solution:** Check fuse or breaker.

**Cause:** Blown fuse / tripped breaker.

**Solution:** Reset circuit breaker or replace fuse.

**Cause:** Motor thermostat has tripped.

**Solution:** Switch off and unplug the vacuum cleaner. Leave for one (1) hour. See page 3.

### PROBLEM: Cleaner won't pick up/loss of suction.

**Cause:** Dust bag not installed correctly.

**Solution:** Review dust bag removal and replacement.

**Cause:** Dust bag full or blocked.

**Solution:** Replace dust bag.

**Cause:** Clogged filter.

**Solution:** Remove and replace with new filter.

**Cause:** Blockage in hose.

**Solution:** Disconnect hose, remove the obstruction then re-fit.

### PROBLEM: Accessories won't pick up.

**Cause:** Accessories not attached correctly.

**Solution:** Refer to page 7 for fitting information.

### PROBLEM: Dust escaping from the vacuum cleaner.

**Cause:** Dust bag full.

**Solution:** Dispose of dust bag, replace with a new one.

**Cause:** Dust bag not installed correctly.

**Solution:** Review dust bag removal and replacement.

**Cause:** Hose not installed correctly.

**Solution:** Review hose installation.

**Cause:** Filter not installed completely.

**Solution:** Review filter removal and replacement.

## 10. UK Service & Help

**Vax Care 0870 1129 145 (UK only)**

Monday-Friday 9.00am to 5.00pm.

An answerphone is available outside of these hours. Any queries or concerns about using the Vax, call the Vax Careline. Calls are charged at the UK national rate.

Please make a note of the serial number and model number of the carpet cleaner before calling. There are over 400 approved Vax Service Agents in the UK. For the nearest Service Agent, please call the Vax Careline.

[www.vaxcommercial.co.uk](http://www.vaxcommercial.co.uk)



## 11. Technical Specification

Voltage:	220-240V ~50Hz
Wattage:	1400W (max)
Noise:	76* dB(A)
	*The sound level is measured in accordance with IEC 60704-2-1
Capacity:	6 litres max
Filters:	Fibre pre-motor filter
Cord length:	12m
Weight:	7.6kg (dependant on model)

Subject to technical change without notice.



Vax VCC-05

This page has been left intentionally blank

This page has been left intentionally blank



### EEC STATEMENT OF COMPLIANCE

Manufacturer/EEC importer: Vax Limited, hereby on our own responsibility, declare that the product VCC-05 Commercial Bagged Cylinder is manufactured in compliance with the following Directives:

**Safety:** 2006/95/EC Low Voltage Directive  
**EMC:** 89/336/EEC Electromagnetic Compatibility Directive



Waste electrical products should not be disposed of with household waste. Please recycle where facilities exist. Check with your Local Authority or retailer for recycling advice.

Vax Ltd., Kingswood Road, Hampton Lovett, Droitwich, Worcestershire, WR9 0QH, UK  
email: [info@vaxcommercial.co.uk](mailto:info@vaxcommercial.co.uk) - website: [www.vaxcommercial.co.uk](http://www.vaxcommercial.co.uk)