

# 9" Stand Off Bracket

## 29908LAB

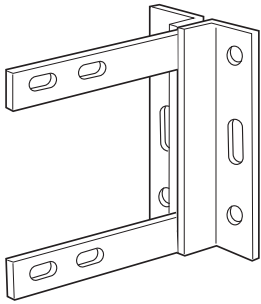
# Labgear

## USER GUIDE

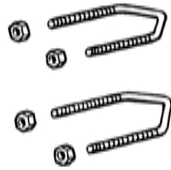
This wall fixing kit is designed to securely fix an aerial mast (up to 40mm (1½") diameter) to walls.

### Kit Contents

A.) Wall bracket



B.) V bolts & nuts x2



### Safety Warnings

**Risk of accident can be greatly reduced by planning before starting a project.**

Before starting installation check structure is sound and check for hidden electrical wiring or plumbing.

When working on an installation outside, beware of overhead power lines.

Observe safe working practices, tread carefully and ensure adequate lighting is available in loft or roof space.

Before making any connections switch electricity off at the mains.

Always follow manufacturer's operating and safety instructions before using tools and/or equipment.

Ladder Safety-always read and follow the manufacturer's instruction label affixed to the ladder.

To avoid injury always route cables or wiring carefully.

Ensure cable is correctly routed before fixing into position, taking care not to over tighten cable clips. This product may contain small parts-keep out of reach of children.

After installation make regular maintenance checks for wear and tear.

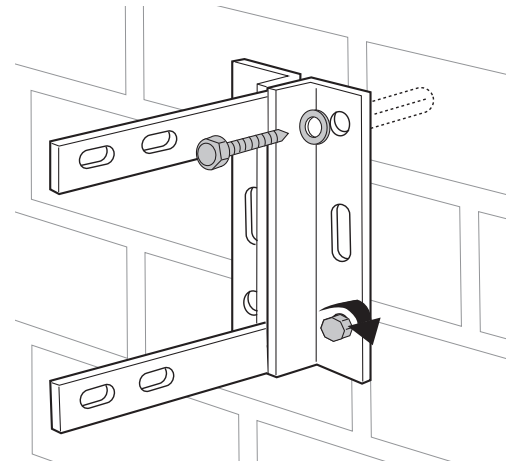
If in doubt consult a qualified electrician or professional aerial installer.

### Installation

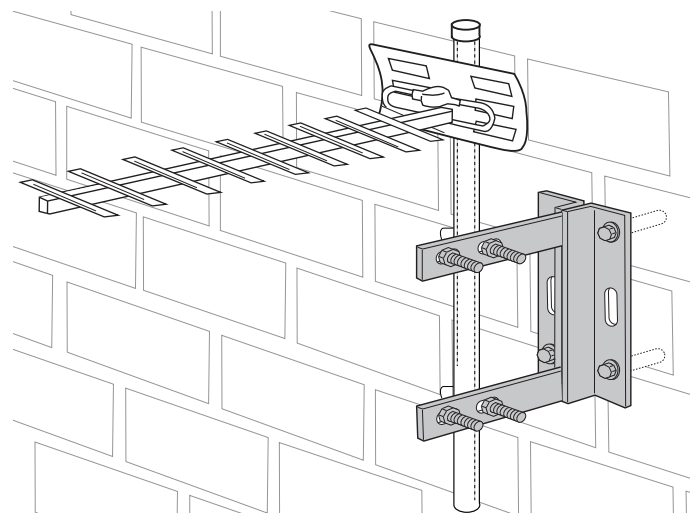
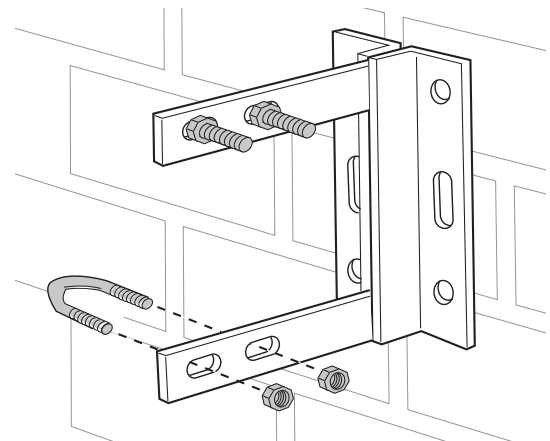
Mark positions for holes using bracket as template A.)

Drill holes and insert wall plugs (not supplied)

Fix wall fixing bracket to wall using washers and coach bolts (not supplied)



Fix the aerial to the wall fixing bracket using the 'V' bolts and nuts B.). Tighten firmly to secure.



**Customer Careline: 08457 573 479**

Local rate UK number, Monday to Friday 9am-5pm

**Website:** <http://www.labgear.co.uk>