

Congratulations on the purchase of your high gain digital aerial. The aerial is ideal for the reception of all available signals in weak and fringe areas.

The aerial is of particularly robust construction to ensure a long operating life.

- Ideal for fringe reception areas
- Tilting mast clamp for easy adjustment
- Easy dipole assembly
- Unique compact folding design
- High Gain: 16.5dB
- Front/Back Ratio: >28dB
- Length: 1.25m
- Electronic 75Ω balun
- Connection: F type

Installation Instructions

For optimum results install the aerial using double screened digital coax cable and screened coax outlets. You will need to fit the coax cable with an F type connector to connect to the aerial balun.

1. Prepare the Coax Cable: Firstly fit the rubber weather boot provided, to the aerial end of the cable. Strip the end of the cable as shown in Fig. 1. Once you have stripped the cable, twist the braid and pull it back on itself, make sure that no braid is touching the copper core, this will cause a short on the cable and you will not get any signal.

2. Fitting the F connector: Now, simply twist on the 'F' connector and trim central conductor. Connect to the 'F' socket on the aerial balun making sure that the weather boot is correctly secured over the 'F' connector and socket - see Fig. 2.

Fig. 1

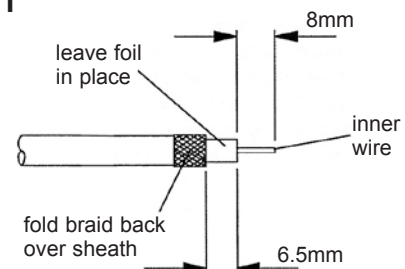
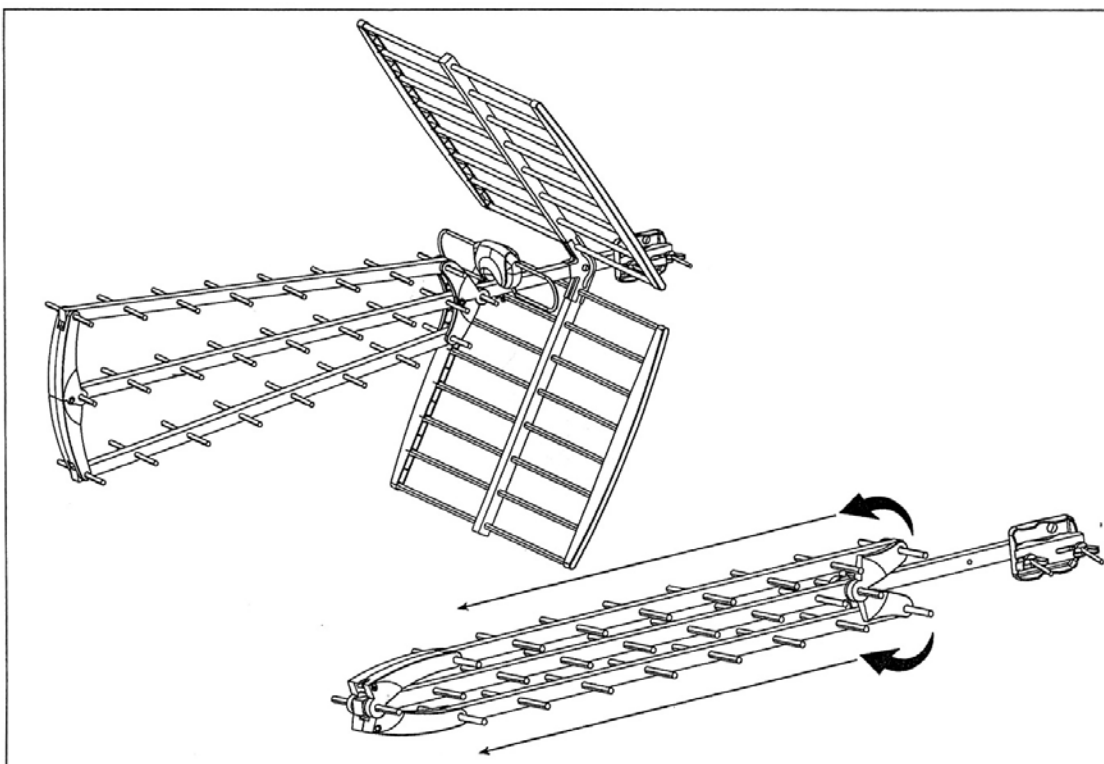
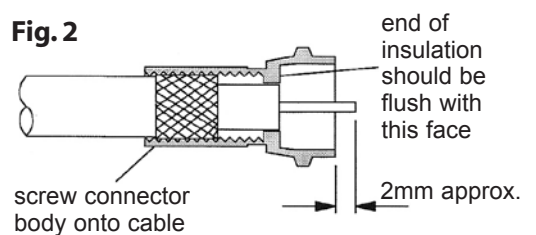


Fig. 2

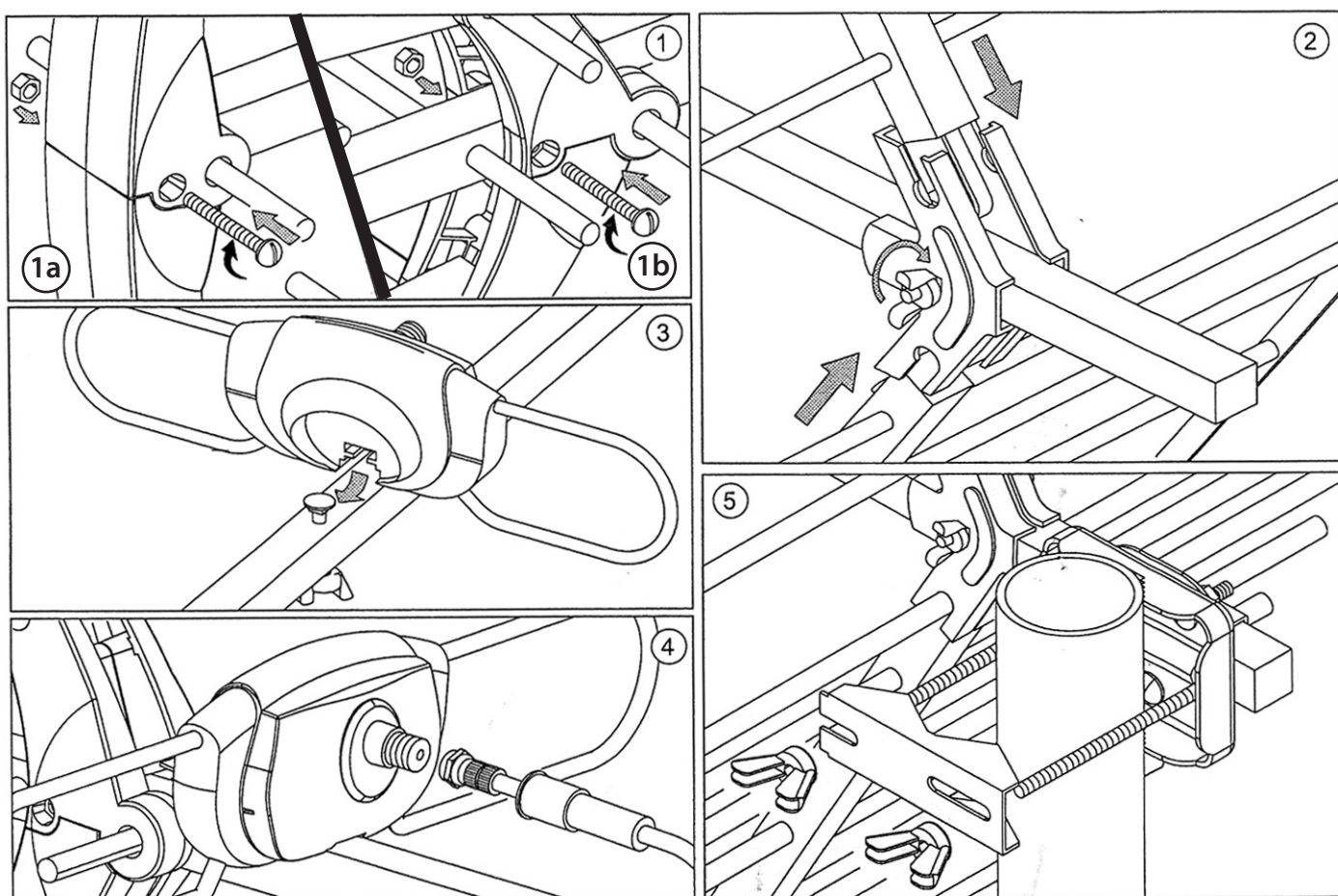


The diagram above shows the aerial fully assembled and shows the direction to unfold the booms prior to assembly

For best results the aerial should be mounted on an outdoor aerial mast and pointed in the direction of the nearest transmitter* making sure it is in a position where the transmitter signal will not be obstructed by nearby trees and buildings. If you are in any doubt about the direction in which the aerial should be pointing or the orientation of the aerial (horizontal for main transmitter, vertical for relay transmitter) check your neighbours' aerials.

Unfold the booms as shown overleaf

- 1a. Secure the booms at the front of the aerial using one of the bolts supplied with standard nuts.
- 1b. Secure the booms at the back of the aerial using the other bolt with a standard nut.
2. Fix the reflectors to the main boom as shown using the brackets and one of the bolts with wing nuts.
3. Next fasten the balun to the main boom using the other bolt with a wing nut. Make sure the F connector on the balun is facing towards the back of the aerial.
4. Connect to the 'F' socket on the aerial balun and slide the weather boot over the 'F' connector and socket to give a weather proof seal.
5. Use the mast clamp supplied to fix the aerial securely to the mast.



Troubleshooting

No picture: Check all connections from aerial to TV.

Poor picture: Check all connections from aerial to TV.

Check aerial is properly aligned to the correct transmitter.

If the aerial has been loft mounted try mounting outside.

Make sure new digital coax cable has been used throughout the installation.

Check the transmitter signal is not obstructed by nearby trees or buildings.

If in a very weak signal area or for long cable runs, installing a masthead amplifier will improve the signal.

If in a strong signal area the signal strength may need to be reduced by fitting an attenuator.

Customer Careline: 08457 573 479

Local rate UK number, Monday to Friday 9am-5pm

E-mail Support: technical@philex.com

Other Useful Websites for Digital Advice:

*To confirm that your home is in a coverage area, to find out what DTT channels should be available locally and to find out where your nearest transmitter is (distance and compass bearing) visit:

www.dtg.org.uk/retailer/coverage.html