

Digistat⁺2RF Digistat⁺3RF

Programmable Room Thermostat Wireless Systems



The perfect combination of flexibility and comfort.

Drayton brings you 2 programmable room thermostat wireless systems, a breakthrough in programmable thermostats. Easy to install, easy to use and offers a wealth of big pluses for both installers and users together with a supreme level of heating control and comfort.

The 2 wireless systems available are the Digistat+2RF (24hour) and Digistat+3RF (5-2day/7day).

- Ideal for combi-boilers
- Ideal for zoning with any boiler
- 3 easy pre-defined programmes
- Part L Compliant (Part J in Scotland)
- Flexible and versatile comfort control

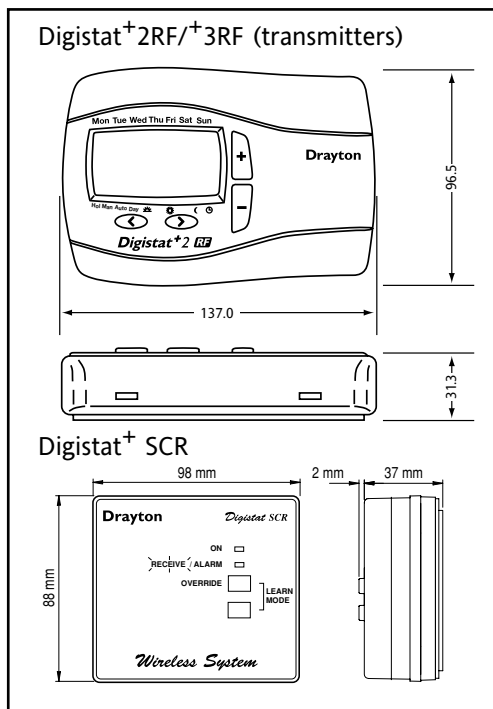
Digistat⁺2RF/⁺3RF

Programmable Room Thermostat Wireless Systems

Features

- Easy to use
- Easy to programme using only 4 buttons
- Memory saver-programme and clock never needs resetting in the event of power loss
- Automatic summer, winter time change
- Pre-set clock
- 3 built-in standard pre-defined programmes
- A choice of 2, 4 or 6 time/temperature events/day (user selectable)
- Easy to read large LCD display (showing actual time and room temperature)
- Easy temperature override
- Holiday mode
- Manual mode
- Temperature Limit locks (high & Low)
- Intelligent Delayed Start option
- 12/24 hour clock choice
- Contemporary design
- Part L Compliant (Part J in Scotland)
- Suitable for combi boilers and zone control

Dimensions



Technical Data Digistat⁺2RF/3RF

Power supply	2 X 1.5V IEC LR6(AA) alkaline batteries
Battery life	2 years typical
Ambient temperature	Operating 0°C to 40°C Storage -20°C to 55°C
Ambient humidity (non condensing)	Operating 25% to 90% Storage 15% to 95%
Temperature range	5°C to 32°C
Accuracy (between 5°C & 32°C)	0.5K
Timing resolution	1 minute
Temperature resolution	0.5K
Ball pressure test	75°C
Pollution situation	Degree 2
Protection level	IP30

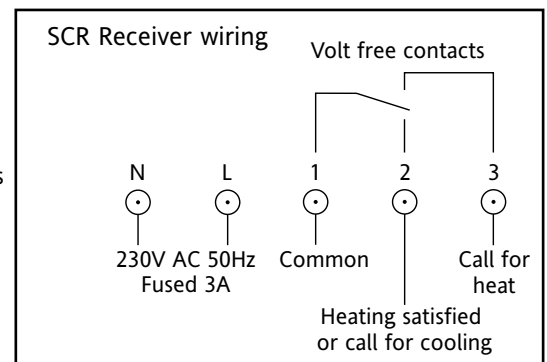
Technical Data SCR (Receiver)

Applicable Standards:	BS EN60730-1 BS EN60730-2-7 BS EN60730-2-9 73/23/EEC LOW VOLTAGE DIRECTIVE 89/336/EEC EMC DIRECTIVE 93/68/EEC MARKING DIRECTIVE 1999/5/EC R&TTE DIRECTIVE
Power Supply:	230Vac 50Hz
Switch Type & Rating:	SPDT (voltage free) 2(1)A 230V ac Or 24Vac/dc
Wiring:	Designed for fixed wiring only, to comply with current IEE regulations
Reception Frequency:	433 MHz

Benefits of Wireless Systems

The Digistat⁺2RF/⁺3RF Wireless Systems provide a cost effective solution to the problems encountered during the installation of a standard wired room thermostat. Consider the benefits of a wireless thermostat:

- No carpets and floor-boards to lift
- No damage to wall covering
- No slightly surface wiring
- Positioning no longer restricted to areas accessible by cable runs
- No brick or plaster work to chase out
- No damage to fabrics and furnishings in the process.



Products in Range

Product	Part no.
Digistat ⁺ 2RF (24hour) wireless system	RF700
Digistat ⁺ 3RF (5-2day/7day) wireless system	RF701
Digistat ⁺ 2RF (transmitter only) spare	22090
Digistat ⁺ 3RF (transmitter only) spare	22092
Digistat ⁺ SCR (receiver only) spare	22133

Invensys Controls Europe

Customer Service Tel: 0845 130 5522
Customer Service Fax: 0845 130 0622
Technical Helpline Tel: 0845 130 7722
Email: customer.care@invensyscontrols.com
Website: www.draytoncontrols.co.uk

Available from:



D76-1