

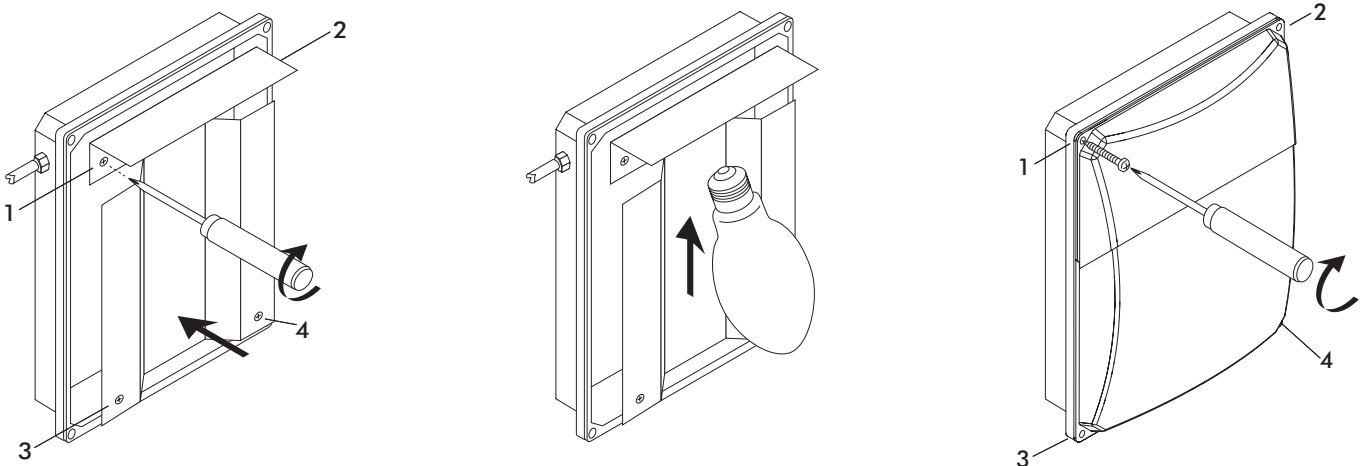
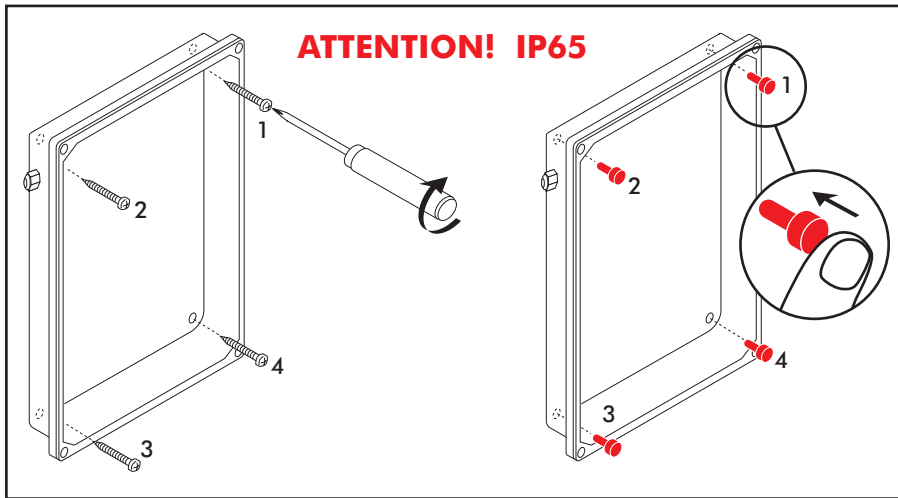
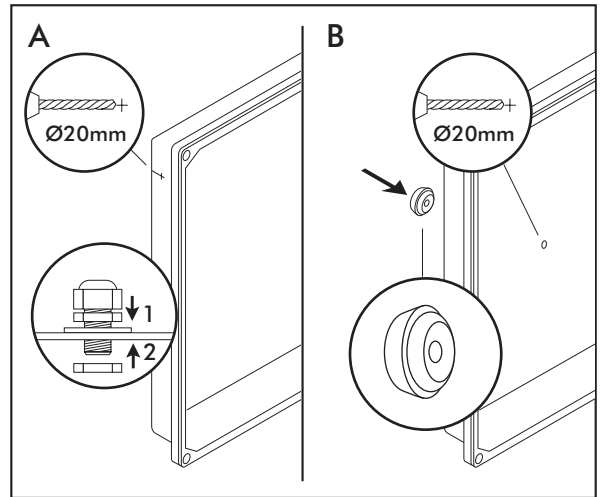
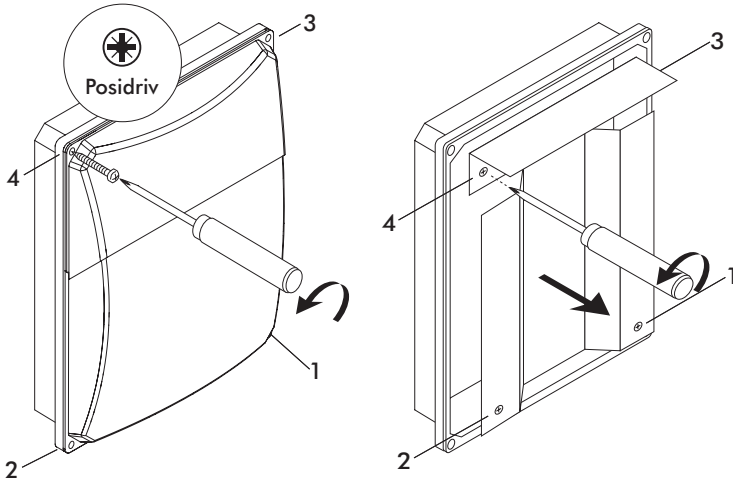
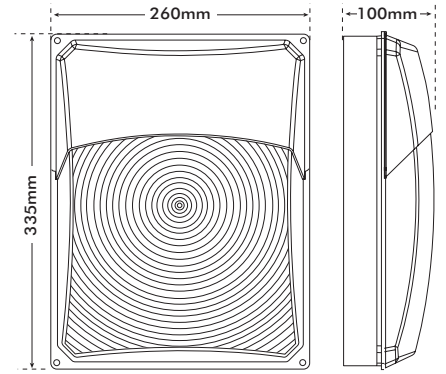


CHURCHILL

- CLASS I
- 230v - 240v
- E27 / 2D / GX24q
- Photocell = 0.02kg
- CW70SCL Son 3.00kg
- CW22 CFL 2.25kg
- CW42 CFL 2.05kg
- CW16CL 2D 1.70kg
- CW28CL 2D 2.25kg
- CW38CL 2D 2.25kg

PC Photocell versions available. EMG Emergency versions also available.

IP65 ⚠ ⚠ ⚠ ⚠ CE CLI Ta 15°C Suitable for outdoor use



NB
Mounting screws not provided.
Must be wired in accordance with current IEE wiring regulations.