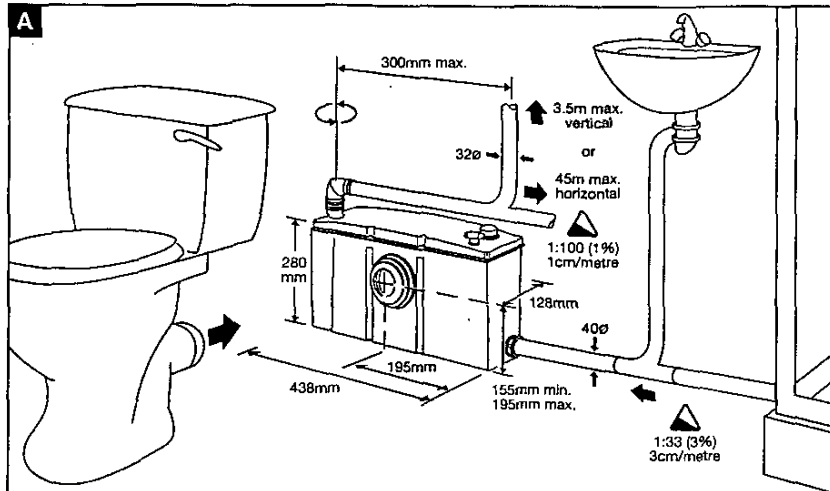


# WATERGENIE MACERATOR

**IMPORTANT:** Please read the complete instructions fully before commencing installation.

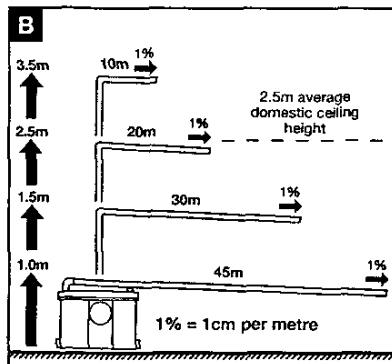
The Watergenie must be installed with 32mm pipework.  
It will not replace a machine installed with 22mm pipework.



## SPECIFICATION

The Watergenie is a domestic toilet macerator/pump unit, designed (to EN 12050-3) for use with a WC pan (BS EN 33/37 horizontal outlet) and, through inlet ports in the right or left hand side of the unit, it is possible to connect the waste pipe from a hand basin, bidet or shower (Dia. A).

Vertical and horizontal pumping is possible bearing in mind the higher the lift, the shorter the possible horizontal pipe run (unless you increase the fall towards the soil stack (Dia. B)).



## IMPORTANT NOTICE

The Watergenie is designed to handle normal WC waste and toilet paper ONLY. Do not dispose

of the following kinds of waste via the Watergenie: hard objects, sanitary towels, cotton wool, tampons, condoms, nappy liners, elastoplast, wet wipes, kitchen towels etc. Do not dispose of large amounts of hair from brushes into the WC. Do not connect to kitchen sinks, dishwashers or washing machines. Failure to comply with this notice could lead to damaging the unit. Under no circumstances can Saniflo be held responsible for any costs incurred by users disregarding this important instruction.

It is advisable to have a simple hair filter fitted to your basin and/or shower trap if either or both are connected to the Watergenie discharge system.

Be sure to display your warning label, preferably on the underside of the toilet seat lid.

## PLANNING THE PIPEWORK

Planning the pipework is quite straightforward; it consists of the following:

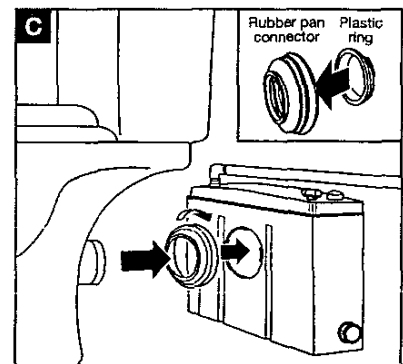
1. The water supply pipes to the sanitary ware.
2. The waste pipes from the sanitary ware to the Watergenie.

3. The discharge pipe from the Watergenie to the soil stack.

(Always have a "dummy run" prior to final fixing of pipework.)

## CONNECTING THE WC TO THE WATERGENIE (Dia. C)

The Watergenie is a free-standing unit and does not need to be secured to the wall or floor. It sits on the floor behind the WC pan. The connection between the two is made with a rubber pan connector.



Insert the plastic ring into the rubber pan connector with the bayonet lugs facing the macerator (lubricate with liquid soap). Insert bayonet lugs into corresponding lugs on the macerator case and give a quarter turn to lock.

Lubricate the WC pan spigot with liquid soap and slide into the rubber connector.

## INSTALLING THE INLET PIPEWORK

Connect the waste pipes to the sanitary ware via traps in the normal way. These should be run to the inlet ports on the macerator with a fall of at least 1:33 (3%) 3cm/metre. This is essential for your macerator to operate correctly.

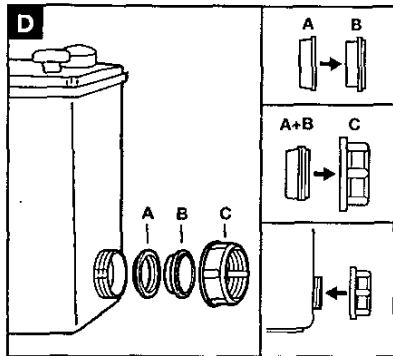
To connect a 40mm pipe into the side inlet, use the connector provided. Screw the female threaded end of the connector provided to

the male thread on the inlet, using silicon or pipe tape. Connect the 40mm pipe to the compression fitting.

You may need to fit an in-line 40mm (1½") non-return valve (available from plumbing merchants) to stop waste from a higher trap (e.g. from a wash basin) entering a lower trap (e.g. a shower).

#### FITTING THE END CAPS (Dia. D)

If the inlet is not being used cap it off using the fittings provided as shown (Dia. D).

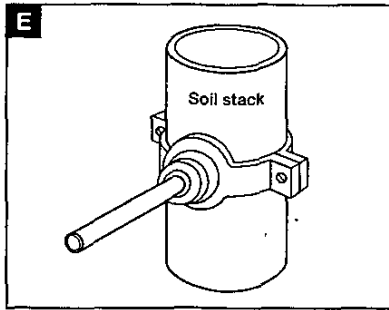


#### INSTALLING THE DISCHARGE PIPEWORK (Dia. A)

The 32mm discharge elbow (with integral non-return valve) should be inserted into the flexible discharge pipe, turned to the direction required and, only then, the 32mm jubilee clip tightened.

The 32mm pipework from the discharge elbow to the soil stack requires careful consideration dependant on where the Watergenie is situated.

1. If rising vertically, always install the vertical rise at the start of the run (within 300mm of the vent).
2. From the high point, install a minimum fall of 1:100 (1%) 1cm/ metre.
3. Only one vertical rise is allowed.
4. Pipework should be copper or solvent weld plastic to BS 7291. Do not use push-fit.
5. Do not use 90° elbows. Use 2 x 45° bends together.



6. Connection is made to the soil stack using a standard 32/100mm strap-on connector (Dia. E).

#### ELECTRICAL CONNECTIONS

**WARNING: Before you commence any electrical work you must switch off at the mains and remove the fuse to the circuit on which you are working.**

All wiring must conform to BS 7671 1992 requirements for electrical installation. The Watergenie requires a 220/240V single phase AC50 Hz supply (UK specifications).

The Watergenie should be wired to a fused, unswitched fixed wire connector fitted with a 5 amp fuse.

**Brown - Live, Blue - Neutral, Green/Yellow - Earth**

In accordance with BS EN 60335-1, 1995 plus amendments 1: 1995, 2: 1997, 3: 1999, 4: 2000. The macerator unit should also be isolated using a double pole isolator with 3mm contact gap.

The Watergenie is double insulated but still has an earth wire which must be connected.

#### COMMISSIONING

1. Fill the WC cistern to the stipulated level. The level is marked on the inside wall of the cistern.
2. Re-fit fuse and turn on the power supply.
3. Flush several times with intervals in between, depositing a few sheets of toilet paper into the pan each time to check the discharge performance. Check to ensure there are no leaks at all points on the

installation - joints in particular. The pumping cycle lasts between 10 and 20 seconds when the WC is flushed. There should be no paper remaining in the pan after each flush. Ensure that a new WC pan is completely free from building debris prior to commissioning.

If you are using a dual flush cistern, ensure that the longer flush is always used for solid waste disposal. Convert it to "full flush" only. Ensure the rubber discharge pipe is not kinked or crushed.

In the event that water runs continuously into the unit (eg, taps are left running on the wash basin) then a thermal cut out will turn off the motor to protect it from overheating and possible damage. The motor will re-set when it has cooled down (in about half an hour).

#### MAINTENANCE

The Watergenie requires no special maintenance but we recommend the use of proprietary sanitary cleansers on a regular basis to keep the unit in good condition.

If the macerator fails to operate check the 5 amp fuse in the fused connector.

No other maintenance or servicing can be carried out by the householder.

**NOTE:** Once the Watergenie is fully installed, it is normal for the top surface to feel slightly warm.

**In the event of a breakdown, switch off the power supply to the unit and contact the local Saniflo Engineer on 08457 650011.**

#### WARNING

**No work on the Watergenie (e.g. removal) should be carried out unless the electrical power supply has been disconnected. Service work should only be carried out by a qualified service engineer.**