

TECHNICAL DATA SHEET

CINNAMON SINK MIXER

CINNAMON Easyfit Kitchen Sink Mixer
Chrome Plated

Product Specification

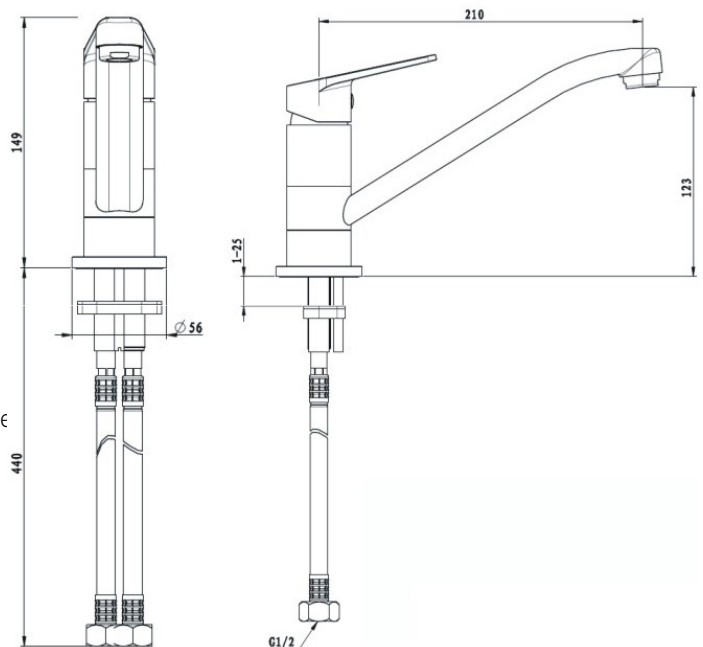
Product Code: CNN EFSNK C
 Finish: Chrome
 Product Type: Contemporary
 Construction: Body is of brass construction and is designed to conform to BS EN 200
 Valve Type: Ceramic Cartridge
 Supply: Suitable for all plumbing systems
 Inlet Connections: 1/2" BSP
 Working Pressures: Min 0.3bar, Max 8.0bar



Easyfit
FASTER. SMARTER.

Additional Information

- Unique patented technology.
- Designed with the installer in mind to ensure installation and future maintenance is made quick and easy.
- Ceramic disc cartridge for added durability and ease of use
- Supplied with flexible connecting pipes.
- Supplied with easy to use metal lever handle.
- Chrome plated to BS EN 248.



Technical Advice: For further information please call 0844 7016273 or email customer-care@bristan.com

Guarantee: 5 years covering manufacturing faults.

Flow Rates (litres per minute)

System Pressure	0.3bar	0.5bar	1.0bar	2.0bar	3.0bar	4.0bar
CNN EFSNK C (Mixed)	10.7	14.3	20.9	29.4	36.7	42.3



EASY TO USE



Guarantee



Delivery



0844 7016273