

Pack Contents

Ref	Desc.	Illustration	Qty	Ref	Desc.	Illustration	Qty
A	Radiator Vertical Use	1		D	Galvanized Brackets.		4
							4
				E	Anti Vibration clips		8
B	Air Vent		1				
C	Blanking Plug		1				

Notes:

- Please read the installation instructions thoroughly before mounting the radiator
- Please choose appropriate wall fixings for the wall surface you are mounting the radiator on
- All dimensions are in millimetres

Recommendations

- For larger radiators it is recommended that for the safe movement and mounting of your radiator, two people are used to lift and support
- Ensure the installation and commissioning of the radiator is carried out in accordance with BS EN 7593:2006
- Your radiator carries a 10 year guarantee, failure to use a corrosion inhibitor in your heating system will invalidate the manufacturers warranty

Helpline : 01633 657222

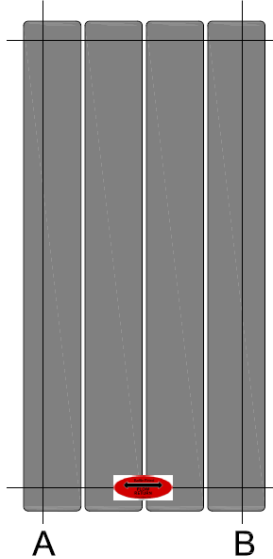
Fax : 01633 657224

Open 8:00 to 17:00 Monday to Friday

Assembly Instructions

Vertical Panel Radiator

- 1 Radiator Orientation – Ensure the red sticker is at the base of the radiator. A&B are your connection points.



- 2 Measuring up. Each vertical radiator has mounting points as detailed below.

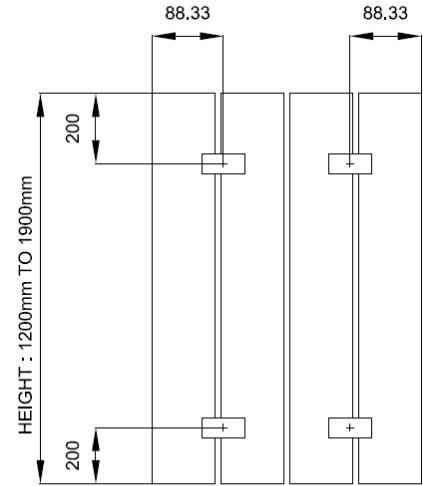


FIG.1 ALL RADIATOR LENGTHS

- 3 Using the centre points in Fig 1 and bracket placement in Fig 2, draw pencil marks at 1,2,3&4 to indicate bracket placement

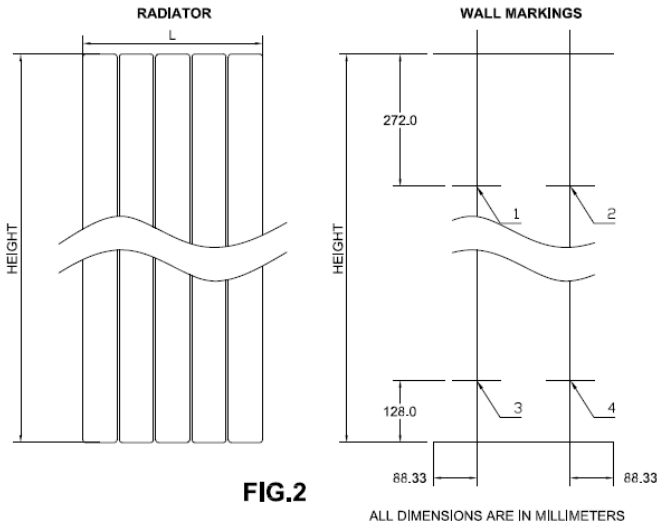
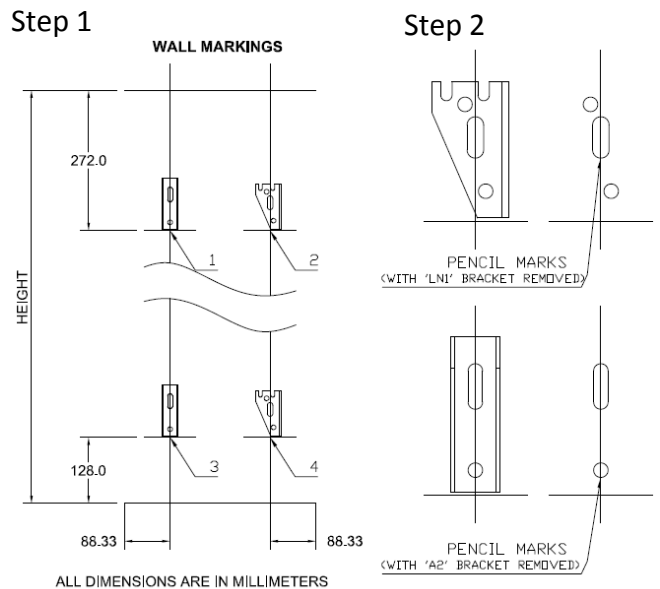


FIG.2

- 4 Align brackets and draw markings for wall plugs and screws (both bracket types illustrated)



- 5 Drill the necessary holes in the wall and secure brackets.

- 6 Fit air vent and blanking plug

- 7 Fit radiator to wall. Plumb in the radiator and purge the air from the radiator using the air vent supplied