

INSET SINK

B20085L

A single bowl/single drainer inset sink manufactured from 0.91 mm thick, austenitic type 304 stainless steel, satin polish finish. This sink has all four sides incorporating a rimmed edge profile, suitable for inseting into a standard sized worktop. The bowl is prepared for a 38mm waste. Supplied complete with fixing clips.

Single bowl, LH single drainer with tapholes and overflow



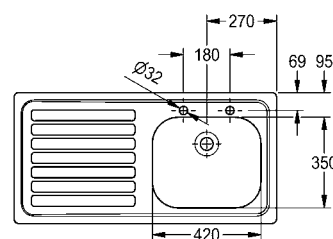
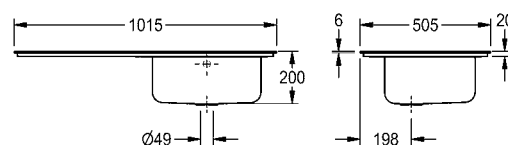
ARTICLE NUMBER

B20085L

EAN 7612979003956

TECHNICAL DATA

Material	stainless steel
Material code	1.4301 Chrome Nickel steel V2A
Material thickness	0.9 mm
Surface finish	satin finished
Bowl finish	satin finished
Gross weight	6.6 kg
Type of mounting	inset mounting
Waste size	DN 32
Tap ledge	yes
Drainer or storage	drainer
Overall width	1015 mm
Overall height	200 mm
Overall depth	505 mm
Bowl - width	350 mm
Bowl - depth	420 mm
Bowl - bowl depth	180 mm
Waste hole position	centre back
Waste hole projection	198 mm
Drainer position	left
Rear upstand	no



Franke Washroom Systems
ws-info.uk@franke.com
www.franke.com

2012-09-04, Franke WS

WASHROOM
SYSTEMS

FRANKE



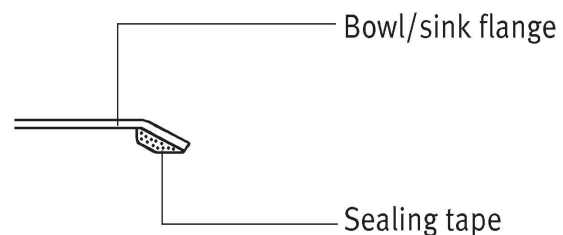
Franke Sissons Ltd., Carrwood Road, Sheepbridge, Chesterfield, S41 9QB
 Telephone: 01246 450255 Fax: 01246 451276 E-mail: ws-info.uk@franke.com

Fixing instructions for B20085L, B20085R inset sink, D20167N, D20168N inset wash hand basins

Code No.	Dimensions in millimetres		No. of clips to be fitted
B20085L/R	1000 x 490	Corners of cut outs	12
D20167N	400 x 380	may be radiused to	12
D20168N	452 x 370	25mm maximum	12

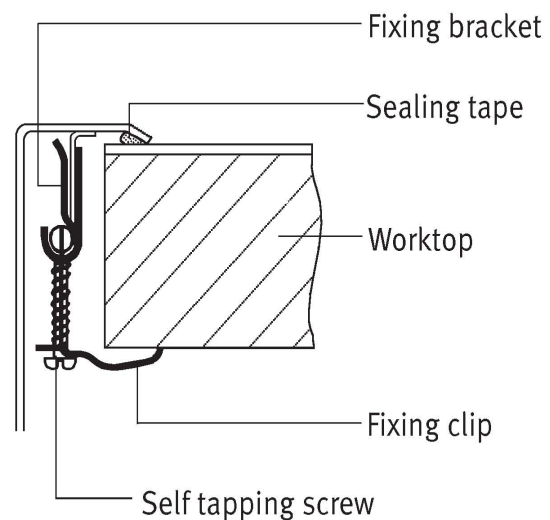
Fixing clips will accommodate worktops from 25 - 40mm in thickness.

1. Cut out the aperture in the worktop ensuring that there is sufficient clearance between the bowl for any cabinet framework.
NB Make sure that the position of the aperture does not unduly weaken the worktop.



Flange sealing

2. Ensure that the edges of the sink are clean and dry. Remove the backing from the sealing strip and stick the strip to the edges as shown.
3. 12 fixing clips are supplied with each unit.
4. Place the sink in the aperture.
5. Locate the clips onto the fixing brackets.
6. Tighten the screw until the bowl or sink is secured in position.
Do not overtighten as this may damage the unit.



Section