

**DEWALT®**

[www.DEWALT.eu](http://www.DEWALT.eu)

**DCN690**

---

<b>Dansk</b> ( <i>oversat fra original brugsvejledning</i> )	<b>4</b>
<b>Deutsch</b> ( <i>übersetzt von den Originalanweisungen</i> )	<b>19</b>
<b>English</b> ( <i>original instructions</i> )	<b>37</b>
<b>Español</b> ( <i>traducido de las instrucciones originales</i> )	<b>52</b>
<b>Français</b> ( <i>traduction de la notice d'instructions originale</i> )	<b>70</b>
<b>Italiano</b> ( <i>tradotto dalle istruzioni originali</i> )	<b>88</b>
<b>Nederlands</b> ( <i>vertaald vanuit de originele instructies</i> )	<b>106</b>
<b>Norsk</b> ( <i>oversatt fra de originale instruksjonene</i> )	<b>124</b>
<b>Português</b> ( <i>traduzido das instruções originais</i> )	<b>140</b>
<b>Suomi</b> ( <i>käännetty alkuperäisestä käyttöohjeesta</i> )	<b>158</b>
<b>Svenska</b> ( <i>översatt från de ursprungliga instruktionerna</i> )	<b>174</b>
<b>Türkçe</b> ( <i>orjinal talimatlardan çevrilmiştir</i> )	<b>190</b>
<b>Ελληνικά</b> ( <i>μετάφραση από τις πρωτότυπες οδηγίες</i> )	<b>207</b>

---

Figure 1

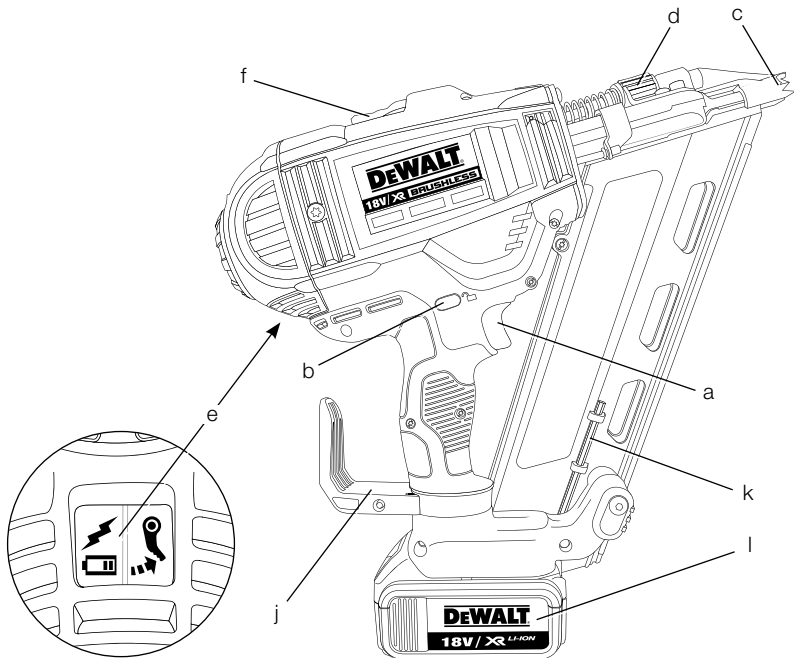
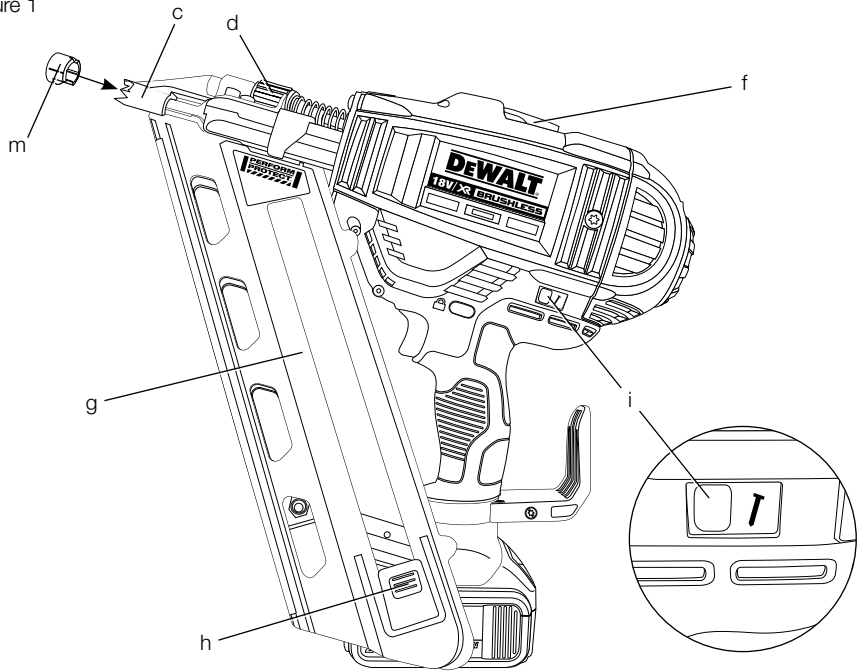


Figure 2

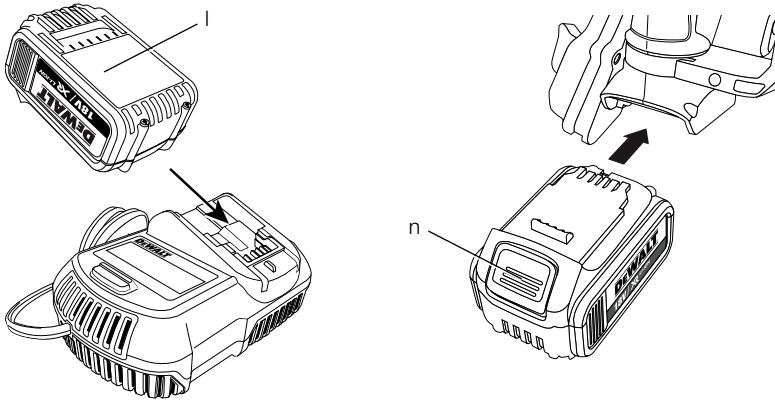


Figure 2a

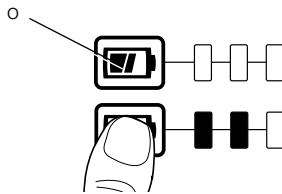


Figure 3

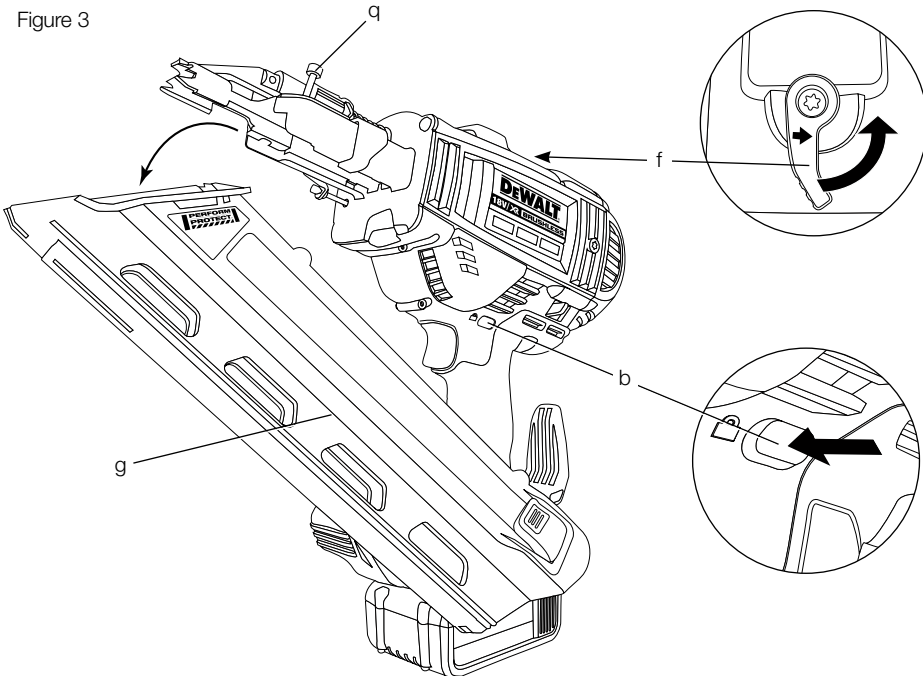


Figure 4

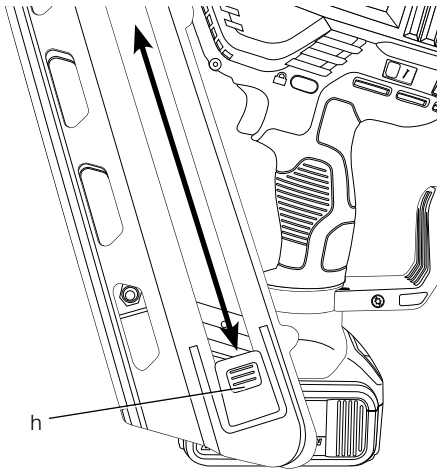


Figure 5

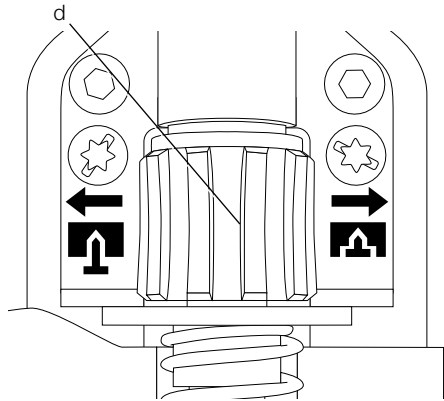


Figure 6

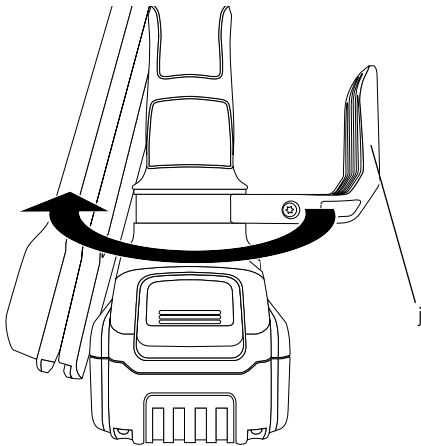
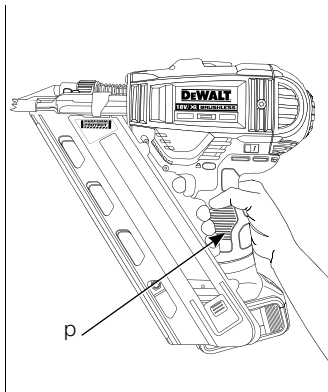


Figure 7



# 18V XR LI-ION CORDLESS FRAMING NAILER

## DCN690

### Congratulations!

You have chosen a DEWALT tool. Years of experience, thorough product development and innovation make DEWALT one of the most reliable partners for professional power tool users.

### Technical Data

DCN690		
Voltage	$V_{DC}$	18
Type		1
Actuating mode		Sequential/Bump
Magazine angle		33°
Fasteners		
length	mm	50–90
shank diameter	mm	2.8–3.3
angle		30–34°
head geometry		clipped or offset round
collation type		paper
Weight (without battery pack)		
	kg	3.53
Drive energy	J	105
Vibration values (dBA)		
$L_{PA}$ (sound pressure)	dB(A)	84
$K_{PA}$ (sound pressure uncertainty)	dB(A)	3
$L_{WA}$ (sound power)	dB(A)	95
$K_{WA}$ (sound power uncertainty)	dB(A)	3

Vibration total values (triax vector sum) determined according to EN 60745:

Vibration emission value $a_h$		
$a_h =$	m/s <sup>2</sup>	3.8
Uncertainty K =	m/s <sup>2</sup>	1.5

The vibration emission level given in this information sheet has been measured in accordance with a standardised test given in EN 60745 and may be used to compare one tool with another. It may be used for a preliminary assessment of exposure.



**WARNING:** The declared vibration emission level represents the main applications of the tool. However if the tool is used for different applications, with different accessories or poorly maintained, the vibration emission may differ. This

may significantly increase the exposure level over the total working period.

An estimation of the level of exposure to vibration should also take into account the times when the tool is switched off or when it is running but not actually doing the job. This may significantly reduce the exposure level over the total working period.

Identify additional safety measures to protect the operator from the effects of vibration such as: maintain the tool and the accessories, keep the hands warm, organisation of work patterns.

Battery pack	DCB180	DCB181	DCB182
Battery type	Li-Ion	Li-Ion	Li-Ion
Voltage	$V_{DC}$	18	18
Capacity	Ah	3.0	1.5
Weight	kg	0.64	0.35

Charger		DCB105		
Mains voltage	$V_{AC}$	230		
Battery type		Li-Ion		
Approx. charging time	min	30	55	70
		(1.5 Ah packs)	(3.0 Ah packs)	(4.0 Ah packs)
Weight	kg	0.49		

Fuses		
Europe	230 V tools	10 Amperes, mains
U.K. & Ireland	230 V tools	13 Amperes, in plugs

### Definitions: Safety Guidelines

The definitions below describe the level of severity for each signal word. Please read the manual and pay attention to these symbols.



**DANGER:** Indicates an imminently hazardous situation which, if not avoided, **will** result in **death or serious injury**.



**WARNING:** Indicates a potentially hazardous situation which, if not avoided, **could** result in **death or serious injury**.



**CAUTION:** Indicates a potentially hazardous situation which, if not

avoided, **may** result in **minor or moderate injury**.

**NOTICE:** Indicates a practice **not related to personal injury** which, if not avoided, **may** result in **property damage**.



Denotes risk of electric shock.



Denotes risk of fire.

## EC-Declaration of Conformity

### MACHINERY DIRECTIVE



DCN690

DEWALT declares that these products described under **Technical Data** are in compliance with: 2006/42/EC, EN 60745-1, EN 60745-2-16.

These products also comply with Directive 2004/108/EC and 2011/65/EU. For more information, please contact DEWALT at the following address or refer to the back of the manual.

The undersigned is responsible for compilation of the technical file and makes this declaration on behalf of DEWALT.

Horst Grossmann  
Vice President Engineering and  
Product Development  
DEWALT, Richard-Klinger-Strasse 11,  
D-65510, Idstein, Germany  
31.10.2012



**WARNING:** To reduce the risk of injury, read the instruction manual.

## General Power Tool Safety Warnings



**WARNING!** Read all safety warnings and all instructions. Failure to follow the warnings and instructions may result in electric shock, fire and/or serious injury.

## SAVE ALL WARNINGS AND INSTRUCTIONS FOR FUTURE REFERENCE

The term "power tool" in the warnings refers to your mains-operated (corded) power tool or battery-operated (cordless) power tool.

### 1) WORK AREA SAFETY

- a) **Keep work area clean and well lit.** Cluttered or dark areas invite accidents.
- b) **Do not operate power tools in explosive atmospheres, such as in the presence of flammable liquids, gases or dust.** Power tools create sparks which may ignite the dust or fumes.
- c) **Keep children and bystanders away while operating a power tool.** Distractions can cause you to lose control.

### 2) ELECTRICAL SAFETY

- a) **Power tool plugs must match the outlet. Never modify the plug in any way. Do not use any adapter plugs with earthed (grounded) power tools.** Unmodified plugs and matching outlets will reduce risk of electric shock.
- b) **Avoid body contact with earthed or grounded surfaces such as pipes, radiators, ranges and refrigerators.** There is an increased risk of electric shock if your body is earthed or grounded.
- c) **Do not expose power tools to rain or wet conditions.** Water entering a power tool will increase the risk of electric shock.
- d) **Do not abuse the cord. Never use the cord for carrying, pulling or unplugging the power tool. Keep cord away from heat, oil, sharp edges or moving parts.** Damaged or entangled cords increase the risk of electric shock.
- e) **When operating a power tool outdoors, use an extension cord suitable for outdoor use.** Use of a cord suitable for outdoor use reduces the risk of electric shock.
- f) **If operating a power tool in a damp location is unavoidable, use a residual current device (RCD) protected supply.** Use of an RCD reduces the risk of electric shock.

### 3) PERSONAL SAFETY

- a) **Stay alert, watch what you are doing and use common sense when operating a power tool. Do not use a power tool while you are tired or under the influence of drugs, alcohol or medication.** A moment of inattention while operating power tools may result in serious personal injury.

- b) **Use personal protective equipment. Always wear eye protection.** Protective equipment such as dust mask, non-skid safety shoes, hard hat, or hearing protection used for appropriate conditions will reduce personal injuries.
- c) **Prevent unintentional starting. Ensure the switch is in the off position before connecting to power source and/or battery pack, picking up or carrying the tool.** Carrying power tools with your finger on the switch or energising power tools that have the switch on invites accidents.
- d) **Remove any adjusting key or wrench before turning the power tool on.** A wrench or a key left attached to a rotating part of the power tool may result in personal injury.
- e) **Do not overreach. Keep proper footing and balance at all times.** This enables better control of the power tool in unexpected situations.
- f) **Dress properly. Do not wear loose clothing or jewellery. Keep your hair, clothing and gloves away from moving parts.** Loose clothes, jewellery or long hair can be caught in moving parts.
- g) **If devices are provided for the connection of dust extraction and collection facilities, ensure these are connected and properly used.** Use of dust collection can reduce dust-related hazards.
- 4) POWER TOOL USE AND CARE**
- a) **Do not force the power tool. Use the correct power tool for your application.** The correct power tool will do the job better and safer at the rate for which it was designed.
- b) **Do not use the power tool if the switch does not turn it on and off.** Any power tool that cannot be controlled with the switch is dangerous and must be repaired.
- c) **Disconnect the plug from the power source and/or the battery pack from the power tool before making any adjustments, changing accessories, or storing power tools.** Such preventive safety measures reduce the risk of starting the power tool accidentally.
- d) **Store idle power tools out of the reach of children and do not allow persons unfamiliar with the power tool or these instructions to operate the power tool.** Power tools are dangerous in the hands of untrained users.
- e) **Maintain power tools. Check for misalignment or binding of moving parts, breakage of parts and any other condition that may affect the power tool's operation. If damaged, have the power tool repaired before use.** Many accidents are caused by poorly maintained power tools.
- f) **Keep cutting tools sharp and clean.** Properly maintained cutting tools with sharp cutting edges are less likely to bind and are easier to control.
- g) **Use the power tool, accessories and tool bits etc., in accordance with these instructions taking into account the working conditions and the work to be performed.** Use of the power tool for operations different from those intended could result in a hazardous situation.
- 5) BATTERY TOOL USE AND CARE**
- a) **Recharge only with the charger specified by the manufacturer.** A charger that is suitable for one type of battery pack may create a risk of fire when used with another battery pack.
- b) **Use power tools only with specifically designated battery packs.** Use of any other battery packs may create a risk of injury and fire.
- c) **When battery pack is not in use, keep it away from other metal objects like paper clips, coins, keys, nails, screws or other small metal objects that can make a connection from one terminal to another.** Shorting the battery terminals together may cause burns or a fire.
- d) **Under abusive conditions, liquid may be ejected from the battery; avoid contact. If contact accidentally occurs, flush with water. If liquid contacts eyes, additionally seek medical help.** Liquid ejected from the battery may cause irritation or burns.
- 6) SERVICE**
- a) **Have your power tool serviced by a qualified repair person using only identical replacement parts.** This will ensure that the safety of the power tool is maintained.



## Safety Instructions for Cordless Nailers

- **Always assume that the tool contains fasteners.** Careless handling of the nailer can result in unexpected firing of fasteners and personal injury.
- **Do not point the tool towards yourself or anyone nearby.** Unexpected triggering will discharge the fastener causing an injury.
- **Do not actuate the tool unless the tool is placed firmly against the workpiece.** If the tool is not in contact with the workpiece, the fastener may be deflected away from your target.
- **Disconnect the tool from the power source when the fastener jams in the tool.** While removing a jammed fastener, the nailer may be accidentally activated if it is plugged in.
- **Do not use this nailer for fastening electrical cables.** It is not designed for electric cable installation and may damage the insulation of electric cables thereby causing electric shock or fire hazards.
- Always wear safety glasses.
- Always wear ear protection.
- Only use fasteners of the type specified in the manual.
- Do not use any stands for mounting the tool to a support.
- Do not disassemble or block any parts of the fastener driving tool such as the contact trip.
- Prior to each operation check that the safety and triggering mechanism is functioning properly and that all nuts and bolts are tight.
- Always check local workplace regulations. There may be local workplace regulations applicable which interdict the use of the bump action mode in certain applications.
- Do not use the tool as a hammer.
- Never actuate the fastener driving tool into free space.
- In the work area, carry the tool at the workplace using only one handle, and never with the trigger actuated.
- Consider the conditions in the work area. Fasteners can penetrate thin work pieces or slip off corners and edges of the work piece, and thus put people at risk.
- Do not drive fasteners close to the edge of the workpiece.
- Do not drive fasteners on top of other fasteners.

## Residual Risks

The following risks are inherent to the use of these machines:

- Injuries caused by improper handling of the tool.
- Loss of control due to not gripping tool firmly.
- Muscle strain of arms and hands, especially when working overhead. Always take regular breaks when working for long periods of time.

In spite of the application of the relevant safety regulations and the implementation of safety devices, certain residual risks cannot be avoided. These are:

- Impairment of hearing.
- Risk of personal injury due to flying particles.
- Risk of personal injury due to prolonged use.
- Loss of control caused by recoil.
- Risk of injury caused by pinch points, sharp edges and improper handling of workpiece.
- Risk of injury caused by sharp edges when changing nails or inserting nail sticks.

## Markings on Tool

The following pictograms are shown on the tool:



Read instruction manual before use.



Wear ear protection.



Wear eye protection.



Length of nails.



Nail thickness.



Loading capacity.



Suitable nail collation angle.

## DATE CODE POSITION

The Date Code, which also includes the year of manufacture, is printed into the housing surface that forms the mounting joint between tool and battery.

Example:

2012 XX XX

Year of Manufacture

## Important Safety Instructions for All Battery Chargers

**SAVE THESE INSTRUCTIONS:** This manual contains important safety and operating instructions for the DCB105 battery charger.

- Before using the charger, read all instructions and cautionary markings on charger, battery pack and product using the battery pack.



**WARNING:** Shock hazard. Do not allow any liquid to get inside charger. Electric shock may result.



**CAUTION:** Burn hazard. To reduce the risk of injury, charge only DEWALT rechargeable battery packs. Other types of batteries may overheat and burst resulting in personal injury and property damage.



**CAUTION:** Children should be supervised to ensure that they do not play with the appliance.

**NOTICE:** Under certain conditions, with the charger plugged in to the power supply, the exposed charging contacts inside the charger can be shorted by foreign material. Foreign materials of a conductive nature such as, but not limited to, steel wool, aluminum foil or any buildup of metallic particles should be kept away from charger cavities. Always unplug the charger from the power supply when there is no battery pack in the cavity. Unplug charger before attempting to clean.

- **DO NOT attempt to charge the battery pack with any chargers other than the ones in this manual.** The charger and battery pack are specifically designed to work together.
- **These chargers are not intended for any uses other than charging DEWALT rechargeable batteries.** Any other uses may result in risk of fire, electric shock or electrocution.
- **Do not expose charger to rain or snow.**
- **Pull by plug rather than cord when disconnecting charger.** This will reduce risk of damage to electric plug and cord.
- **Make sure that cord is located so that it will not be stepped on, tripped over or otherwise subjected to damage or stress.**

- **Do not use an extension cord unless it is absolutely necessary.** Use of improper extension cord could result in risk of fire, electric shock or electrocution.
- **When operating a charger outdoors, always provide a dry location and use an extension cord suitable for outdoor use.** Use of a cord suitable for outdoor use reduces the risk of electric shock.
- **Do not block the ventilation slots on the charger. The ventilation slots are located on the top and sides of the charger.** Place the charger in a position away from any heat source.
- **Do not operate charger with damaged cord or plug** — have them replaced immediately.
- **Do not operate charger if it has received a sharp blow, been dropped or otherwise damaged in any way.** Take it to an authorised service centre.
- **Do not disassemble the charger; take it to an authorised service centre when service or repair is required.** Incorrect reassembly may result in a risk of electric shock, electrocution or fire.
- In case of damaged power supply cord the supply cord must be replaced immediately by the manufacturer, its service agent or similar qualified person to prevent any hazard.
- **Disconnect the charger from the outlet before attempting any cleaning. This will reduce the risk of electric shock.** Removing the battery pack will not reduce this risk.
- **NEVER attempt to connect 2 chargers together.**
- **The charger is designed to operate on standard 230 V household electrical power. Do not attempt to use it on any other voltage.** This does not apply to the vehicular charger.

### SAVE THESE INSTRUCTIONS

## Chargers

The DCB105 charger accepts 10.8 V, 14.4 V and 18 V Li-Ion (DCB121, DCB123, DCB140, DCB141, DCB142, DCB180, DCB181 and DCB182) battery packs.

This charger requires no adjustment and is designed to be as easy as possible to operate.






## Charging Procedure (fig. 2)

1. Plug the charger into an appropriate 230 V outlet before inserting the battery pack.
2. Insert the battery pack (I) into the charger, making sure the pack is fully seated in the charger. The red (charging) light will blink continuously indicating that the charging process has started.
3. The completion of charge will be indicated by the red light remaining ON continuously. The pack is fully charged and may be used at this time or left in the charger.

**NOTE:** To ensure maximum performance and life of Li-Ion batteries, charge the battery pack fully before first use.

## Charging Process

Refer to the table below for the state of charge of the battery pack.

State of charge	
 charging	— — — —
 fully charged	—————
 hot/cold pack delay	— • — • — • — •
 problem pack or charger	• • • • • • • • • •
 problem powerline	• • • • • • • • • •

This charger will not charge a faulty battery pack. The charger will indicate faulty battery by refusing to light or by displaying problem pack or charger blink pattern.

**NOTE:** This could also mean a problem with a charger.

If the charger indicates a problem, take the charger and battery pack to be tested at an authorised service centre.

## Hot/Cold Pack Delay

When the charger detects a battery that is too hot or too cold, it automatically starts a hot/cold pack delay, suspending charging until the battery has reached an appropriate temperature. The charger then automatically switches to the pack charging mode. This feature ensures maximum battery life.

XR Li-Ion tools are designed with an Electronic Protection System that will protect the battery against overloading, overheating or deep discharge.

The tool will automatically turn off if the Electronic Protection System engages. If this occurs, place the Li-Ion battery on the charger until it is fully charged.

A cold battery pack will charge at about half the rate of a warm battery pack. The battery pack will charge at that slower rate throughout the entire charging cycle and will not return to maximum charge rate even if the battery warms.

## Important Safety Instructions for All Battery Packs

When ordering replacement battery packs, be sure to include the catalog number and voltage.

The battery pack is not fully charged out of the carton. Before using the battery pack and charger, read the safety instructions below and then follow the charging procedures outlined.

### READ ALL INSTRUCTIONS

- **Do not charge or use the battery pack in explosive atmospheres, such as in the presence of flammable liquids, gases or dust.** Inserting or removing the battery pack from the charger may ignite the dust or fumes.
- **Never force the battery pack into charger. Do not modify the battery pack in any way to fit into a non-compatible charger as battery pack may rupture causing serious personal injury.**
- Charge the battery packs only in designated DEWALT chargers.
- **DO NOT splash or immerse in water or other liquids.**
- **Do not store or use the tool and battery pack in locations where the temperature may reach or exceed 40 °C (105 °F) (such as outside sheds or metal buildings in summer).**
- For best results, make sure the battery pack is fully charged before use.



**WARNING:** Never attempt to open the battery pack for any reason. If the battery pack case is cracked or damaged, do not insert it into the charger. Do not crush, drop or damage battery pack. Do not use a battery pack or charger that has received a sharp blow, been dropped, run over or damaged in any way (e.g., pierced with a nail, hit with a hammer, stepped on). Electric shock or electrocution may result. Damaged battery packs should be returned to the service centre for recycling.



**CAUTION:** When not in use, place tool on its side on a stable surface where it will not cause a tripping or falling hazard. Some tools with large battery packs will stand upright on the battery pack but may be easily knocked over.

#### SPECIFIC SAFETY INSTRUCTIONS FOR LITHIUM ION (Li-Ion)

- **Do not incinerate the battery pack even if it is severely damaged or is completely worn out.** The battery pack can explode in a fire. Toxic fumes and materials are created when lithium ion battery packs are burned.
- **If battery contents come into contact with the skin, immediately wash the area with mild soap and water.** If the battery liquid gets into the eye, rinse water over the open eye for 15 minutes or until irritation ceases. If medical attention is needed, the battery electrolyte is composed of a mixture of liquid organic carbonates and lithium salts.
- **Contents of opened battery cells may cause respiratory irritation.** Provide fresh air. If symptoms persists, seek medical attention.



**WARNING:** Burn hazard. Battery liquid may be flammable if exposed to spark or flame.

## Battery Pack

### BATTERY TYPE

The DCN690 operates on an 18 volt battery pack. The DCB180, DCB181 or DCB182 battery packs may be used. Refer to **Technical Data** for more information.

## Storage Recommendations

1. The best storage place is one that is cool and dry away from direct sunlight and excess heat or cold. For optimum battery performance and life, store battery packs at room temperature when not in use.
2. For long storage, it is recommended to store a fully charged battery pack in a cool, dry place out of the charger for optimal results.

**NOTE:** Battery packs should not be stored completely depleted of charge. The battery pack will need to be recharged before use.

## Labels on Charger and Battery Pack

In addition to the pictographs used in this manual, the labels on the charger and the battery pack show the following pictographs:



Read instruction manual before use.



Charging.



Fully charged.



Hot/cold pack delay.



Problem pack or charger.



Problem powerline.



Do not probe with conductive objects.



Do not charge damaged battery packs.



Use only with DEWALT battery packs. Others may burst, causing personal injury and damage.



Do not expose to water.



Have defective cords replaced immediately.



Charge only between -5 °C and 50 °C.



Discard the battery pack with due care for the environment.

LI-ION



Do not incinerate the battery pack.



Li Ion Charges Li-Ion battery packs.



See **Technical data** for charging time.

## Package Contents

The package contains:

- 1 Nailer
- 1 Charger (M2 models only)
- 2 Battery packs (M2 models only)
- 1 Non-mar tip
- 1 Kitbox (M2 models only)
- 1 Instruction manual
- 1 Exploded drawing

**NOTE:** Battery packs, chargers, and kit boxes are not included with N-models.

- *Check for damage to the tool, parts or accessories which may have occurred during transport.*
- *Take the time to thoroughly read and understand this manual prior to operation.*

## Description (fig. 1, 2)



**WARNING:** Never modify the power tool or any part of it. Damage or personal injury could result.

- a. Trigger
- b. Trigger safety lock-off
- c. Contact trip
- d. Depth adjustment wheel
- e. Low battery and jam/stall indicator light
- f. Stall release lever
- g. Magazine
- h. Pusher latch
  - i. Mode selector switch
  - j. Rotating rafter/belt hook
- k. On-board hex wrench
  - l. Battery pack
- m. Non-mar tip

## INTENDED USE

The DCN690 cordless framing nailer has been designed for driving nails into wooden workpieces.

**DO NOT** use under wet conditions or in presence of flammable liquids or gases.

These cordless nailers are professional power tools.

**DO NOT** let children come into contact with the tool. Supervision is required when inexperienced operators use this tool.

- This product is not intended for use by persons (including children) suffering from diminished physical, sensory or mental abilities; lack of experience, knowledge or skills unless they are supervised by a person responsible for their safety. Children should never be left alone with this product.

## Electrical Safety

The electric motor has been designed for one voltage only. Always check that the battery pack voltage corresponds to the voltage on the rating plate. Also make sure that the voltage of your charger corresponds to that of your mains.



Your DEWALT charger is double insulated in accordance with EN 60335; therefore no earth wire is required.

If the supply cord is damaged, it must be replaced by a specially prepared cord available through the DEWALT service organisation.

## Mains Plug Replacement (U.K. & Ireland Only)

*If a new mains plug needs to be fitted:*

- *Safely dispose of the old plug.*
- *Connect the brown lead to the live terminal in the plug.*
- *Connect the blue lead to the neutral terminal.*



**WARNING:** No connection is to be made to the earth terminal.

*Follow the fitting instructions supplied with good quality plugs. Recommended fuse: 3 A.*

## Using an Extension Cable

An extension cord should not be used unless absolutely necessary. Use an approved extension cable suitable for the power input of your charger (see **Technical Data**). The minimum conductor size is 1 mm<sup>2</sup>; the maximum length is 30 m.

When using a cable reel, always unwind the cable completely.

## ASSEMBLY AND ADJUSTMENTS



**WARNING:** Prior to assembly and adjustment, always remove the battery pack. Always lock off the tool before inserting or removing the battery pack.



**WARNING:** Use only DEWALT battery packs and chargers.

### Inserting and Removing the Battery Pack from the Tool (fig. 2)



**WARNING:** To reduce the risk of serious personal injury, lock tool off and disconnect battery pack before making any adjustments or removing/installing attachments or accessories. An accidental start-up can cause injury.

**NOTE:** Make sure your battery pack (l) is fully charged. The battery packs supplied will not necessarily be fully charged.

#### TO INSTALL THE BATTERY PACK INTO THE TOOL HANDLE

1. Align the notch inside the tool's handle with the battery pack (l).
2. Slide the battery pack firmly into the handle until you hear the lock snap into place.

#### TO REMOVE THE BATTERY PACK FROM THE TOOL

1. Press the release button (n) and slide the battery pack out of the tool handle.
2. Insert battery pack into the charger as described in the charger section of this manual.

#### FUEL GAUGE BATTERY PACKS (FIG. 2, 2A)

Some DEWALT battery packs include a fuel gauge which consists of three green LED lights that indicate the level of charge remaining in the battery pack.

To actuate the fuel gauge, press and hold the fuel gauge button (o). A combination of the three green LED lights will illuminate designating the level of charge left. When the level of charge in the battery is below the usable limit, the fuel gauge will not illuminate and the battery will need to be recharged.

**NOTE:** The fuel gauge is only an indication of the charge left on the battery pack. It does not indicate tool functionality and is subject to variation based on product components, temperature and end-user application.

**NOTICE:** Do not store tool with battery pack installed. To prevent damage to the pack and to ensure best battery life,

store battery packs out of the tool or charger in a cool, dry location.

### Rotating Rafter/Belt Hook (fig. 6)

The rafter/belt hook (j) and can be easily positioned to the left or right of the tool to accommodate left- or right-handed users.

If use of the hook is not desired at all, it can be rotated to the front or back of the handle base.

### Loading the Tool (fig. 4)



**WARNING:** Always lock tool off and disconnect battery pack before loading and unloading fasteners.

1. Slide the spring-loaded pusher latch (h) to the base of the magazine to lock it into place.
2. Select an appropriate collated nail stick. (Refer to **Technical Data.**) DEWALT would always recommend that you use DEWALT branded first fix nails.



**WARNING:** Since accessories, other than those offered by DEWALT, have not been tested with this product, use of such accessories with this tool could be hazardous. To reduce the risk of injury, only DEWALT recommended accessories should be used with this product.

3. Insert collated nail stick into the loading slot on side of the magazine. Be sure the fasteners ride on their tips in the nail channel.
4. Close the magazine by releasing the pusher latch. Carefully allow the latch to slide forward and engage the nail strip.

### Dry Fire Lock out

The nailer is equipped with a dry fire lock out which restricts the tool from actuating when the magazine is nearly empty. When approximately 7 to 9 nails remain in the magazine, the tool dry fire lock actuates. Refer to **Loading the Tool** to reload a stick of collated nails.

**NOTE:** If heavy force is placed on the tool it is possible to override the lock out. This protects the tool from potential damage if dropped.

### Adjusting the Driving Depth (fig. 5)

The nail driving depth can be adjusted using the depth adjustment wheel.

1. To drive the nail shallower, rotate the depth adjustment wheel (d) to the left, toward the shallow nail icon.

- To sink a nail deeper, rotate the depth adjustment wheel (d) to the right, toward the deeper nail icon.

## Selecting the Mode (fig. 1)

To select sequential action mode, slide the mode selector switch (i) to display the single nail icon ( / ).

To select bump action mode, slide the mode selector switch (i) to display the three nail icon ( /// ).

**NOTE:** Maximum power for driving long nails is achieved in sequential mode, so limit use of bump mode when driving longer nails.

## OPERATION

### Instructions for Use



**WARNING:** Always observe the safety instructions and applicable regulations. There may be local workplace regulations applicable which interdict the use of the bump action mode for certain applications



**WARNING:** To reduce the risk of serious personal injury, turn tool off and disconnect battery pack before making any adjustments or removing/installing attachments or accessories. An accidental start-up can cause injury.

### Proper Hand Position (fig. 7)



**WARNING:** To reduce the risk of serious personal injury, ALWAYS use proper hand position as shown.



**WARNING:** To reduce the risk of serious personal injury, ALWAYS hold securely in anticipation of a sudden reaction.

Proper hand position requires one hand on the main handle (p) as shown.

### Preparing the Tool (fig. 1)

- Remove the battery pack (l) from the tool and ensure the tool is locked off.
- Remove all nails from the magazine (g).
- Check if the contact trip (c) can move freely.
- Reload the nails to the magazine.
- Insert battery pack.



**WARNING:** Do not use the tool if the contact trip or nail pusher cannot move freely.

**NOTICE: NEVER** spray or in any other way apply lubricants or cleaning solvents inside the tool. This can seriously affect the life and performance of the tool.



### Actuating the Tool (fig. 1)

The tool can be operated using one of two modes: sequential action mode or bump action mode.

#### SEQUENTIAL ACTION MODE

The sequential action mode is used for intermittent nailing when very careful and accurate placement is desired. It also offers the maximum delivery of power for driving the longest nails.

- Using the mode selector switch (i), select the sequential action mode ( / ).
- Release the trigger safety lock-off (b).
- Push the contact trip (c) against the work surface.
- Pull the trigger switch (a) to actuate the tool.
- Release the trigger and raise the nailer from the work surface.
- Repeat steps 3–5 to actuate the next nail.

#### BUMP ACTION MODE

The bump action mode is used for rapid nailing on flat, stationary surfaces and typically most effective for application driving shorter nails.

- Using the mode selector switch (i) to select the bump action mode ( /// ).
- Release the trigger safety lock-off (b).
- To drive a single nail, operate the tool as described for sequential action:
  - Push the contact trip (c) against the work surface.
  - Pull the trigger switch (a) to actuate the tool. Each trigger pull with the contact trip pushed against the work surface will drive one nail.
- To drive several nails, depress and hold the trigger switch (a), and then push the contact trip (c) repeatedly against the work surface.



**WARNING:** Do not keep the trigger depressed when the tool is not in use. Keep the trigger safety lock-off (b) in the locked position to prevent accidental actuation when the tool is not in use.

- When changing between sequential and bump modes, it may be necessary to adjust the driving depth. Refer to **Adjusting the Driving Depth** for instructions.

## Using the Trigger Lock-off (fig. 3)

Each DEWALT nailer is equipped with a trigger lock-off (b) which when pushed to the right as shown in Figure 3, prevents the tool from firing a nail by locking the trigger and bypassing power to the motor.









When the trigger lock-off is pressed to the left, the tool will be fully operational. The trigger lock-off should always be locked off (fig. 3) whenever any adjustments are made or when tool is not in immediate use.

## Non-mar Tip (fig. 1)

When using this tool on materials that you do not want to mark, such as wood cladding, use the plastic non-mar tip (m) over the contact trip (c).

## LED Indicator (fig. 1)

Your nailer is equipped with two LED indicator lights (e) located on the back of the tool just below the back cap. Also refer to to the **Troubleshooting Guide** for further instruction.

		<b>LOW BATTERY</b> Replace battery with a charged pack.
		<b>HOT PACK</b> Let the battery cool or replace it with a cool pack.
		<b>JAM/STALL CONDITION</b> Rotate the stall release lever to release. Refer to <b>Stall Release</b> .
		<b>HOT TOOL</b> Let the tool cool down before continuing use.

## Stall Release (fig. 1, 3)

If the nailer is used in rigorous application where all available energy in the motor is used to drive a fastener, the tool may stall. The driver blade did not complete the drive cycle and the jam/stall indicator (e) will flash. Rotate the stall release lever (f) on the tool and the mechanism will release. If the driver blade does not automatically return to the home position, proceed to **Clearing a Jammed Nail**. If the unit continues to stall please review the mode selection, material and fastener length to be sure that it is not too rigorous an application.

## Clearing a Jammed Nail (fig. 1, 3)

If a nail becomes jammed in the nosepiece, the jam/stall indicator light (e) will flash.

1. Remove battery pack from tool and engage trigger safety lock-off (b).
2. Slide the spring-loaded pusher latch (h) to the base of the magazine to lock it into place and unload nail strip.
3. Using the hex tool (k) provided, loosen the two hex bolts (q) at the top of the magazine.
4. Rotate the magazine (g) forward.
5. Remove jammed/bent nail, using pliers if necessary.
6. If driver blade is in the down position, rotate the stall release lever (f) on the top of the nailer.

**NOTE:** If the driver blade will not reset after rotating the stall release lever, manually resetting the blade with a long screwdriver may be necessary.

7. Rotate the magazine back into position under the nose of the tool and tighten hex bolts (q).
  8. Reinsert battery pack.
- NOTE:** The tool will disable itself and not reset until the battery pack has been removed and reinserted.
9. Reinsert nails into magazine (refer to **Loading the Tool**).

10. Release the pusher latch (h).
11. Disengage the trigger safety lock-off (b) when ready to continue nailing.

If nails become jammed in the nosepiece frequently, have the tool serviced by an authorised DEWALT service centre.

## MAINTENANCE

Your DEWALT power tool has been designed to operate over a long period of time with a minimum of maintenance. Continuous satisfactory operation depends upon proper tool care and regular cleaning.



**WARNING: To reduce the risk of serious personal injury, turn tool off and disconnect battery pack before making any adjustments or removing/installing attachments or accessories. An accidental start-up can cause injury.**



The charger and battery pack are not serviceable. There are no serviceable parts inside.



## Lubrication

Your power tool requires no additional lubrication.

**NOTICE: NEVER**

*spray or in any other way apply lubricants or cleaning solvents inside the tool. This can seriously affect the life and performance of the tool.*



## Cleaning



**WARNING:** Blow dirt and dust out of the main housing with dry air as often as dirt is seen collecting in and around the air vents. Wear approved eye protection and approved dust mask when performing this procedure.



**WARNING:** Never use solvents or other harsh chemicals for cleaning the non-metallic parts of the tool. These chemicals may weaken the materials used in these parts. Use a cloth dampened only with water and mild soap. Never let any liquid get inside the tool; never immerse any part of the tool into a liquid.

## CHARGER CLEANING INSTRUCTIONS



**WARNING:** Shock hazard. Disconnect the charger from the AC outlet before cleaning. Dirt and grease may be removed from the exterior of the charger using a cloth or soft non-metallic brush. Do not use water or any cleaning solutions.

## Optional Accessories



**WARNING:** Since accessories, other than those offered by DEWALT, have not been tested with this product, use of such accessories with this tool could be hazardous. To reduce the risk of injury, only DEWALT recommended accessories should be used with this product.

Consult your dealer for further information on the appropriate accessories.

## Protecting the Environment



Separate collection. This product must not be disposed of with normal household waste.

Should you find one day that your DEWALT product needs replacement, or if it is of no further use to you, do not dispose of it with household waste. Make this product available for separate collection.



Separate collection of used products and packaging allows materials to be recycled and used again. Re-use of recycled materials helps prevent environmental pollution and reduces the demand for raw materials.

Local regulations may provide for separate collection of electrical products from the household, at municipal waste sites or by the retailer when you purchase a new product.

DEWALT provides a facility for the collection and recycling of DEWALT products once they have reached the end of their working life. To take advantage of this service please return your product to any authorised repair agent who will collect them on our behalf.

You can check the location of your nearest authorised repair agent by contacting your local DEWALT office at the address indicated in this manual. Alternatively, a list of authorised DEWALT repair agents and full details of our after-sales service and contacts are available on the Internet at: [www.2helpU.com](http://www.2helpU.com).



## Rechargeable Battery Pack

This long life battery pack must be recharged when it fails to produce sufficient power on jobs which were easily done before. At the end of its technical life, discard it with due care for our environment:

- Run the battery pack down completely, then remove it from the tool.
- Li-Ion, NiCd and NiMH cells are recyclable. Take them to your dealer or a local recycling station. The collected battery packs will be recycled or disposed of properly.

## GUARANTEE

DEWALT is confident of the quality of its products and offers an outstanding guarantee for professional users of the product. This guarantee statement is in addition to and in no way prejudices your contractual rights as a professional user or your statutory rights as a private non-professional user. The guarantee is valid within the territories of the Member States of the European Union and the European Free Trade Area.

### • 30 DAY NO RISK SATISFACTION GUARANTEE •

If you are not completely satisfied with the performance of your DEWALT tool, simply return it within 30 days, complete with all original components, as purchased, to the point of purchase, for a full refund or exchange. The product must have been subject to fair wear and tear and proof of purchase must be produced.

### • ONE YEAR FULL WARRANTY •

If your DEWALT product becomes defective due to faulty materials or workmanship within 12 months from the date of purchase, DEWALT guarantees to replace all defective parts free of charge or – at our discretion – replace the unit free of charge provided that:

- The product has not been misused;
- Repairs have not been attempted by unauthorised persons;
- Proof of purchase is produced;
- The product is returned complete with all original components.

Wear and tear parts are not covered by warranty. These parts are: driver blade, driver blade return springs and rubber bumpers.

If you wish to make a claim, contact your seller or check the location of your nearest authorised DEWALT repair agent in the DEWALT catalogue or contact your DEWALT office at the address indicated in this manual. A list of authorised DEWALT repair agents and full details of our after-sales service is available on the Internet at: [www.2helpU.com](http://www.2helpU.com).

## TROUBLESHOOTING GUIDE

MANY COMMON PROBLEMS CAN BE SOLVED EASILY BY UTILIZING THE CHART BELOW.

For more serious or persistent problems, contact your nearest authorised DEWALT repair agent, or contact your DEWALT office at the address indicated in this manual.



**WARNING:** To reduce the risk of serious personal injury, ALWAYS lock off the tool and disconnect battery pack from tool before all repairs

SYMPTOM	CAUSE	FIX
Motor does not run with trigger depressed	Trigger lock in locked position	Unlock trigger lock.
	Tool is stalled, locking the motor from rotating	Rotate the stall release lever on the tool and the mechanism will release. If driver blade does not return, remove battery and manually push driver blade back to home position.
	Tool is in the sequential actuation mode	Depress contact trip first before firing or switch to bump mode.
	Tool internal electronics need to be reset	Remove battery, wait 3 seconds and reinsert.
	Motor stops running after 5 seconds	Normal operation, release trigger and redepress.
	Terminals are dirty or damaged	See authorised DEWALT repair agent.
	Damaged internal electronics	See authorised DEWALT repair agent.
	Damaged trigger	See authorised DEWALT repair agent.
	Battery is hot	Let the battery cool or replace it with a cool pack.
	Tool is hot	Let the tool cool down before continuing use.
Motor does not run with contact trip depressed	Trigger lock in locked position	Unlock trigger lock.
	Dry fire lock out engaged, blocking contact trip from traveling fully	Load more nails into magazine.
	Tool is stalled, locking the motor from rotating	Rotate the stall release lever on the tool and the mechanism will release. If driver blade does not return, remove battery and manually push driver blade back to home position.
	Bent contact trip	See authorised DEWALT repair agent
	Motor stops running after 5 seconds	Normal operation, release contact trip and redepress.
	Terminals are dirty or damaged	See authorised DEWALT repair agent.
	Damaged internal electronics	See authorised DEWALT repair agent.
	Damaged trigger	See authorised DEWALT repair agent.
	Battery is hot	Let the battery cool or replace it with a cool pack.
	Tool is hot	Let the tool cool down before continuing use.
Tool does not actuate (motor runs but will not fire)	Dry fire lock out engaged, blocking contact trip from traveling fully	Load nails into magazine.
	Low battery charge or damaged battery	Check charge level if pack shows state-of-charge. Charge or replace battery pack if necessary.
	Jammed nail/driver blade not returned to home position	Remove battery, clear jammed nail, cycle stall release lever, (push driver blade up manually if necessary) reinsert battery pack.
	Damaged driver/return assembly	Replace driver/return assembly. See authorised DEWALT repair agent.
	Jammed internal mechanism	See authorised DEWALT repair agent.
	Damaged internal electronics	See authorised DEWALT repair agent.
Motor starts up but generates a lot of noise	Jammed nail and driver blade is stuck in down position	Use stall release lever, clear any jammed nails, and return driver blade manually if necessary.
	Damaged driver/return assembly	Replace driver/return assembly. See authorised DEWALT repair agent.

## TROUBLESHOOTING GUIDE (continued)

SYMPTOM	CAUSE	FIX
Drive blade continues to get stuck in down position	Jammed nail and driver blade is stuck in down position	Use stall release lever, clear and jammed nails, and return driver blade manually if necessary.
	Damaged driver/return assembly	Replace driver/return assembly. See authorised DEWALT repair agent.
	Material and fastener length	If the unit continues to stall (forcing the need to rotate the Stall release lever) choose the appropriate material and fastener length that is not too rigorous an application.
	Debris in nosepiece	Clean nose area and watch closely for small pieces of broken nails stuck in the track.
Tool operates but does not drive fasteners fully	Depth adjust set too shallow	Rotate depth adjust to a deeper setting
	Tool not firmly applied to workpiece	Apply adequate force to tool securing it tightly to workpiece. Refer to instruction manual.
	Bump mode selected with long nails	Select sequential mode.
	Material and fastener length	If the unit continues to stall (forcing the need to rotate the Stall release lever) choose the appropriate material and fastener length that is not too rigorous of an application.
	Damaged or worn driver blade tip	Replace driver/return assembly. See authorised DEWALT repair agent
	Tool used with non-mar tip	Remove non-mar tip.
	Damaged actuation mechanism	See authorised DEWALT repair agent.
Tool operates, but no fastener is driven	No nails in magazine	Load nails in magazine
	Wrong size or angle nails	Use only the recommended nails. Refer to <b>Technical Data</b> .
	Debris in nosepiece	Clean nose area and watch closely for small pieces of broken nails stuck in the track
	Debris in magazine	Clean magazine.
	Worn magazine	Replace magazine. See authorised DEWALT repair agent.
	Damaged or worn driver blade	Replace driver blade. See authorised DEWALT repair agent.
	Damaged pusher spring	Replace spring; see authorized service center.
	Jammed nail	Wrong size or angle nails
Magazine screws not secured after previous jam clear/inspection		Make sure to tighten magazine hex bolts with wrench provided.
Damaged or worn driver blade		Replace driver blade. See authorised DEWALT repair agent.
Material and fastener length		If the unit continues to stall (forcing the need to rotate the Stall release lever) choose the appropriate material and fastener length that is not too rigorous an application.
Debris in nosepiece		Clean nose area and watch closely for small pieces of broken nails stuck in the track.
Worn magazine		Replace magazine. See authorised DEWALT repair agent.
Damaged pusher spring		Replace spring. See authorised DEWALT repair agent.
Dry fire lock out is engaged with only 7-9 nails remaining in magazine and the user is applying excessive force to contact trip, overriding the lockout		Load more nails in magazine to disengage dryfire lockout.