

UNIVERSAL FITTING INSTRUCTIONS

Traditional Style Sink Mixer

BEFORE YOU START

This mixer is suitable for use at water supply pressures of 0.1 bar (min) to 7 bar (max).

If the tap is installed into a low pressure (tank fed) system, the minimum height from the outlet of the nozzle to the underside of the water tank should be at least 1.8 metres to ensure adequate performance.

This product must be connected to the water supply in accordance with the Water Supply (Water Fittings) Regulations 1999, and also to comply with UK Building Regulations. If you are in any doubt about these requirements, contact a qualified plumber, your local Water Company or the Water Regulations Advisory Service (WRAS).

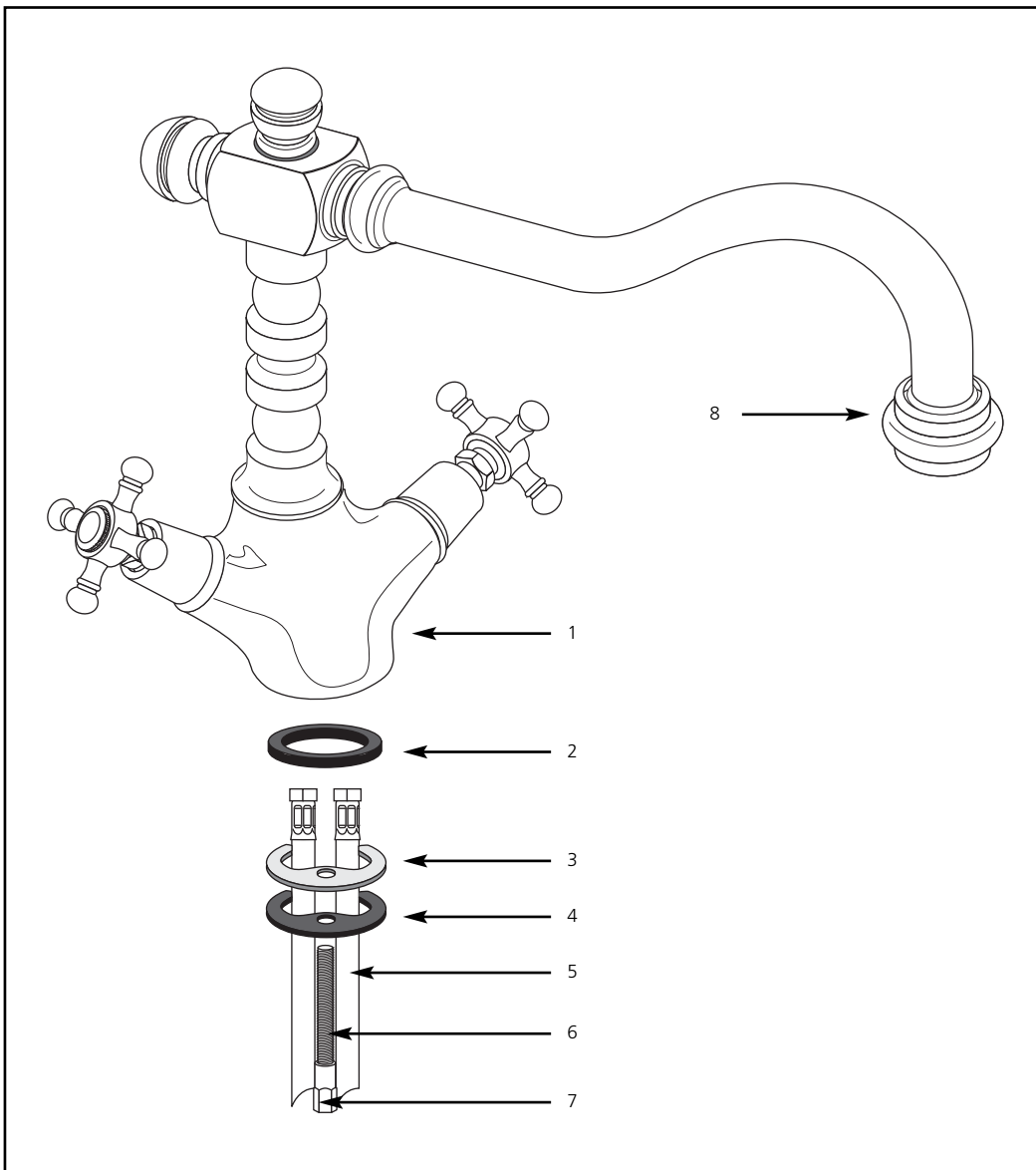
- Identify all components and check pack contents.
- TURN OFF WATER MAINS SUPPLY.** The mains stopcock is usually situated where the supply enters the building.
- It is also recommended that the water heating arrangements are turned off.
- Isolate the hot and cold water supply.

INSTALLATION

- Fit spout (8) to tap body (1). Ensure O rings on spout (8) are greased then push spout (8) into tap body (1). Tighten fixing nut on spout (8) to tap body (1). **DO NOT OVERTIGHTEN.** Check Spout (8) moves smoothly. Fit Tap Body (1) to sink, ensuring that the Washer (2) is fitted between the Tap Body (1) and the sink.
- Screw 2 x Copper Connectors (5) into Tap Body (1).
- Fit Threaded Stud (6) by inserting into hole in Tap Body (1) and tightening as far as possible.
- Fit Anti-Rotational Washer (2) to Tap by pushing into recessed ring in underside of Tap Body (1) and locate the tap assembly down through hole in the sink.
- Fit Rubber Horseshoe Washer (3) onto Threaded Stud (6). Fit Horseshoe Washer (4) onto Threaded Stud (6). Now fit Fixing Nut (7) onto Threaded Stud (6). **DO NOT OVERTIGHTEN.**
- Bend the Braided Connectors (5) as necessary and connect to the water supply using suitable plumbing joints.
- Turn on the hot and cold and mains water supply. Check for leaks immediately. It is always advisable at this stage to flush out the system. To do this, open both valves fully and allow water to flow for approx. 1 minute. This will remove any foreign matter within the installation.
- Finally turn on all the water heating arrangements.

AFTER CARE

To maintain the appearance of this fitting, ensure it is cleaned only using a clean soft damp cloth. A solution of warm water and mild liquid detergent may be used where necessary and then rinsed thoroughly. Abrasive cleaners or acidic cleaners **MUST NOT BE USED** under any circumstances. Avoid contact with solvents.



| ITEM | DESCRIPTION | QTY |
|------|--------------------------|-----|
| 1 | TAP BODY & VALVE | 1 |
| 2 | WASHER (ANTI-ROTATIONAL) | 1 |
| 3 | RUBBER HORSESHOE WASHER | 1 |
| 4 | HORSESHOE WASHER | 1 |

| ITEM | DESCRIPTION | QTY |
|------|------------------|-----|
| 5 | COPPER CONNECTOR | 2 |
| 6 | THREADED STUD | 1 |
| 7 | FIXING NUT | 1 |
| 8 | SPOUT | 1 |