

## TECHNICAL DATASHEET

### ARTISAN

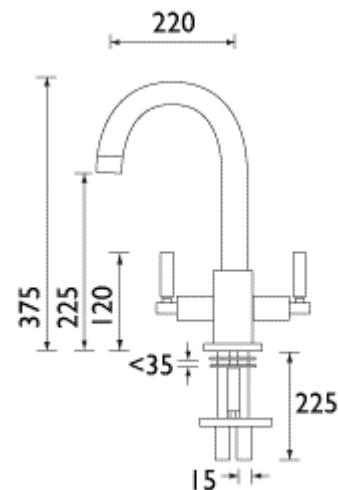
### ARTISAN MONOBLOC SINK MIXER

#### Product Specification

<b>Product Code:</b>	AR SNK C
<b>Finish:</b>	Chrome
<b>Product Type:</b>	Contemporary
<b>Construction:</b>	Body is of brass construction and is designed to conform to BS EN 200
<b>Valve Type:</b>	¼ turn ½" ceramic disc valves
<b>Supply:</b>	Suitable for all plumbing systems
<b>Inlet Connections:</b>	M12 x 15mm screw-in copper tail pipes
<b>Water Pressure:</b>	Min. 0.5 bar, Max. 8.0 bar



© Bristan Group 2009



#### Additional Information

- Dual flow.
- Supplied with metal handles.
- Chrome plated to BS EN 248.

**Technical Advice:** For further information please call 0844 7016273 or email [customer@bristan.com](mailto:customer@bristan.com).  
**Guarantee:** 5 years covering manufacturing faults.

#### Compliance/Approvals

**WRAS:** Certificate No. 0601116

#### Flow Rates (litres per minute)

System Pressure	0.5bar	1.0bar	1.5bar	2bar	3bar	5bar
AR SNK C (mixed)	13.6	19.8	24.6	28.6	35.3	45.9

## **AFTERCARE INSTRUCTIONS**

Your fitting has a high quality finish and should be treated with care to preserve the visible surfaces.

All surface finishes will wear if not cleaned correctly, the only safe way to clean your mixer is to wipe with a soft damp cloth. Stains can be removed using washing up liquid. All bath cleaning powders and liquids will damage the surface of your fitting, even the non-scratch cleaners. **NOTE: Never use abrasive detergents or disinfectants or those containing alcohol, hydrochloric acid or phosphoric acid.**

Bristan recommend E-Cloth for cleaning all of our bathroom & kitchen products. Using just water, E-cloth gives a smear free, deep clean by breaking up and holding dirt, which normal cloths leave behind. Order through your Bristan stockist. (ORDER CODE: ECLOTH)



## **GUARANTEE**

All products are manufactured to the highest standards and a 5 year guarantee covers any defect in manufacture.

**All products must have access for servicing or replacement during the life of the product.**

In the interests of continuous product development we reserve the right to alter specification as necessary

## **PRODUCT CODE: AR SNK C**

**PRODUCT IDENTIFICATION CODE LASER ETCHED ON PRODUCT**  
Installer please fill in code here \_\_\_\_\_.(Where applicable)

## **TELEPHONE HELPLINE: 0844 701 6273**

Bristan Group Limited  
Birch Coppice Business Park  
Dordon  
Tamworth  
Staffordshire  
B78 1SG  
UK  
A Masco Company  
Website: [www.bristan.com](http://www.bristan.com)  
Telephone: 0844 701 6274  
Facsimile: 0844 701 6275  
Email: [enquire@bristan.com](mailto:enquire@bristan.com)

# BRISTAN

## **Artisan Sink Mixer (AR SNK C)**

## **Fitting Instructions & Contents List**

**Please keep these instructions for future reference and request of replacement part**

## WATER PRESSURE

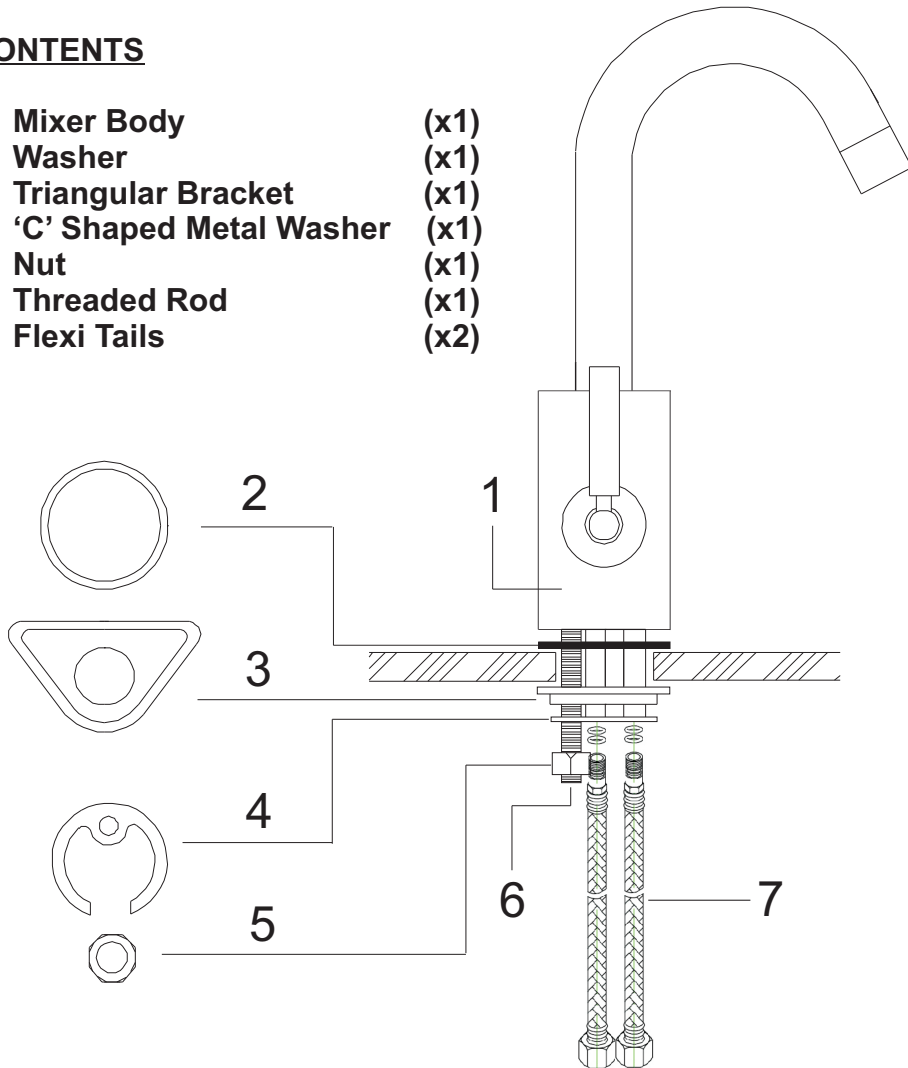
This mixer is suitable for use at all supply pressures. However for optimum use both the hot and cold supplies should be reasonably balanced.

If the fitting is installed at low pressure (tank fed), then the minimum distance from the highest installed position of the shower head to the underside of the cold tank should be 5 metres to ensure adequate shower performance.

**Operating Pressures: Min 0.5 bar, Max 8.0 bar.**

## CONTENTS

1. Mixer Body (x1)
2. Washer (x1)
3. Triangular Bracket (x1)
4. 'C' Shaped Metal Washer (x1)
5. Nut (x1)
6. Threaded Rod (x1)
7. Flexi Tails (x2)



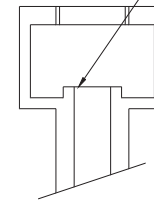
## INSTALLATION

1. Identify all components and check for completeness, particularly before commencing installation.
2. Fit the mixer body to the sink using the 'C' plate fixing kit. Offer the mixer body (1) onto the sink, with the washer (2). The triangular fixing bracket (3) and the metal washer (4) go on the underside of the sink, to be secured by the threaded rod (6) and nut (5).
3. Fit the flexi tail pipes (7) to the fitting and connect the check valve (supplied) To the hot inlet (**DO NOT OVERTIGHTEN**). Connect the hot and cold supplies.
4. Fully open both valves, letting them run for a few minutes to flush out the system and check all joints and connections for leaks.
5. See over the page for aftercare instructions.

CD VALVE



CLEAN WASHER AND SEAT



## MAINTENANCE

If the fitting begins to drip:-

1. Turn off the water supply.
2. Remove fitting head and valve.
3. Carefully clean seating and rubber washer.
4. Replace valve and turn on the water supply.
5. Contact our helpline if problem persists.