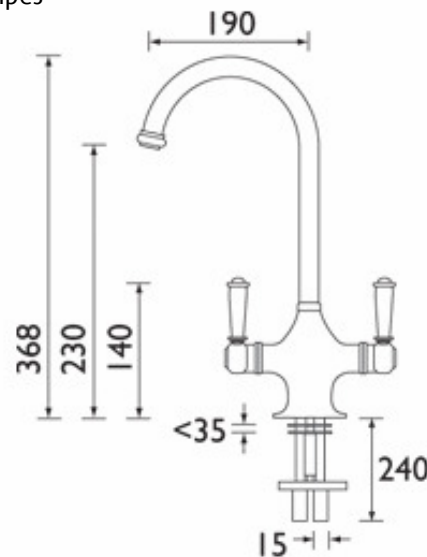


TECHNICAL DATASHEET

SENTINEL MONOBLOC SINK MIXER

Product Specification

Product Code:	80741 / 89101
Finishes:	Chrome / Brushed Nickel
Product Type:	Traditional
Construction:	Body is of brass construction and is designed to conform to BS EN 200
Valve Type:	¼ turn ½" ceramic disc valves
Supply:	Suitable for all plumbing systems, ideally balanced
Inlet Connections:	M12 x 15mm screw-in copper inlet pipes
Water Pressure:	Min. 0.2 bar, Max. 8.0 bar



Additional Information

- Dual flow
- Incorporates swivel spout
- Chrome plated to BS EN 248

Technical Advice: For further information please call 0844 7016273 or email customercare@bristan.com.
Guarantee: 5 years covering manufacturing faults. Special effect finishes are covered by a 3-year guarantee

Compliance/Approvals

WRAS: Pending

Flow Rates (litres per minute)

System Pressure	0.5bar	1bar	2bar	3bar	5bar
80741/89101 (Mixed)	12.37	17.65	25.16	31.87	41.14

Bristan, Birch Coppice Business Park, Dordon, Tamworth, B78 15G
 Telephone: 0844 701 6274 Facsimile: 0844 701 6275
 Web Site: www.bristan.com Email: enquire@bristan.com



AFTERCARE INSTRUCTIONS

Your fitting has a high quality finish and should be treated with care to preserve the visible surfaces. All surface finishes will wear if not cleaned correctly, the only safe way to clean your waste is to wipe with a soft damp cloth. Stains can be removed using washing up liquid. All bath cleaning powders and liquids will damage the surface of your fitting even the non-scratch cleaners.

GUARANTEE

All products are manufactured to the highest standards and a 5 year guarantee covers any defect in manufacture. As gold and special effect finishes are softer than chromium plate, special care must be taken when cleaning, a 3 year guarantee covers these finishes.

NOTE: The 5 year guarantee is invalidated if damaged by any waterborne debris.

In the interests of continuous product development Bristan reserve the right to alter specification as necessary

PRODUCT CODE: ST SNK C / ST SNK BN

TELEPHONE HELP LINE: 0844 701 6273

Bristan Group Ltd
Birch Coppice Business Park
Dordon
Tamworth
Staffordshire
B78 1SG
U.K.
A Masco Company

Web Site: www.bristan.com
Telephone: 0844 701 6274
Facsimile: 0844 701 6275
Email: enquire@bristan.com

(FI ST SNK)

(D2)

(ST)

BRISTAN

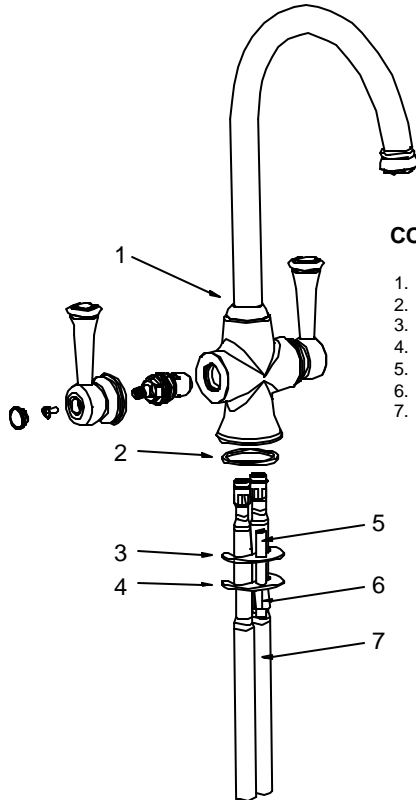
Sentinel Dual Flow Sink Mixer

Fitting Instructions & Contents List

**Please keep these instructions for future reference
and request of replacement parts.**

WATER PRESSURE

This mixer is suitable for use at pressures of 0.2 bar or more. For optimum use both the hot and cold supplies should be reasonably balanced. This mixer should be installed in compliance with Water Regulations. For further details contact your Local Water Authority.

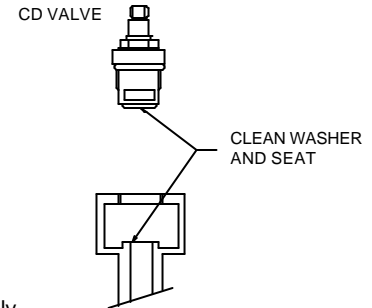


CONTENTS

1. Mixer body
2. Full rubber washer
3. C-shaped rubber washer
4. C-shaped metal washer
5. Threaded rod
6. Nut
7. Tail pipes

INSTALLATION

1. Identify all components and check for completeness, particularly before arranging fitting.
2. Fit the mixer (1) to the sink using the 'C' plate fixing kit. The full rubber washer (2) goes between the fitting and the sink, and the 'C' shaped rubber (3) and metal washers (4) on the underside of the sink, to be secured by the threaded rod (5) and nut (6).
3. Fit the tail pipes (7) to the fitting and connect the hot and cold supplies.
4. Fully open both valves, letting it run for a few minutes to check all joints and connections for leaks.
5. See over the page for aftercare instructions.



MAINTENANCE

If the fitting begins to drip:

1. Turn off the water supply.
2. Remove handle cap and unscrew handle screw and remove handle.
3. Carefully clean seating, rubber washer and ceramic disc.
4. Replace valve and handle, then turn on the water supply.
5. Contact our helpline if problem persists.

Please Note:

In the unlikely event you find a part missing please contact our Customer Service Help line on 0844 701 6273 or email enquire@bristan.com for immediate dispatch of part.