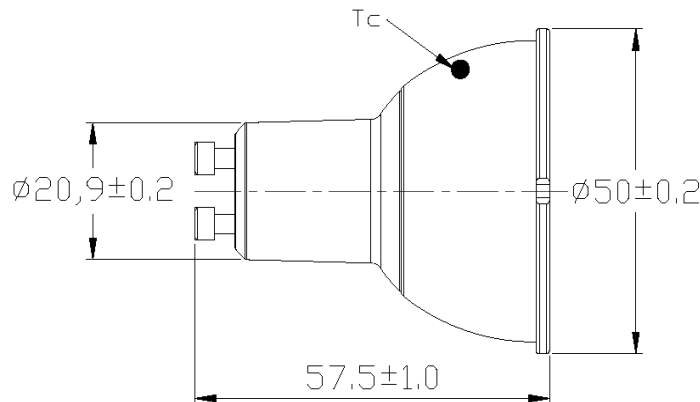




DIMENSIONS (mm):



Bulb type : PAR16
Cap type : GU10

Finish : White
Light Colour : 827 Homelight

ELECTRICAL DATA:

		NOMINAL	MIN.	MAX.
Lamp Wattage	(W) :	4	-	4.6
Lamp Voltage	(V) :	230	100	254
Lamp Current	(mA) :	35		
Power Factor	(λ) :	0.5	0.4	-
Supply Frequency	(Hz) :	50 / 60		

PHOTOMETRIC DATA:

Beam Angle	(°) :	30	23	38
Luminous Intensity	(cd) :	600	450	750
Luminous Flux (total)	(lm) :	250	225	-
Luminous Flux (90° cone)	(lm) :	225	203	-
Luminous Efficacy (total)	(lm/W) :	63		
Luminous Efficacy (90° cone)	(lm/W) :	56		
Correlated Colour Temperature	(K) :	2700		
Colour Rendering Index	(Ra) :	80	77	-
Red Colour Rendition	(R9) :	10		
Chromaticity Co-ordinates	(x,y) :	CCx=0.460 CCy=0.411	6-step MacAdam Ellipse	

OPERATING CONDITIONS:

Ta Ambient temperature range	(°C) :	25	-10	45
Tp Point	(°C) :	UC	-	-
Burning position	:	Universal		
Control Gear	:	Integrated Electronic		

LAMP LIFE:

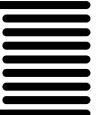
Average Life (L _{70F50})	(h) :	15,000
Switching Cycles	(#) :	60,000

APPLICATION: Suitable for general indoor lighting, or outdoor use in waterproof luminaires.
Not suitable for use with dimmer switches / electronic timers / PIR detectors.
Complies with IEC62560, IEC62612, IEC62471, IEC61547, IEC61000, EN55015, EN62493.

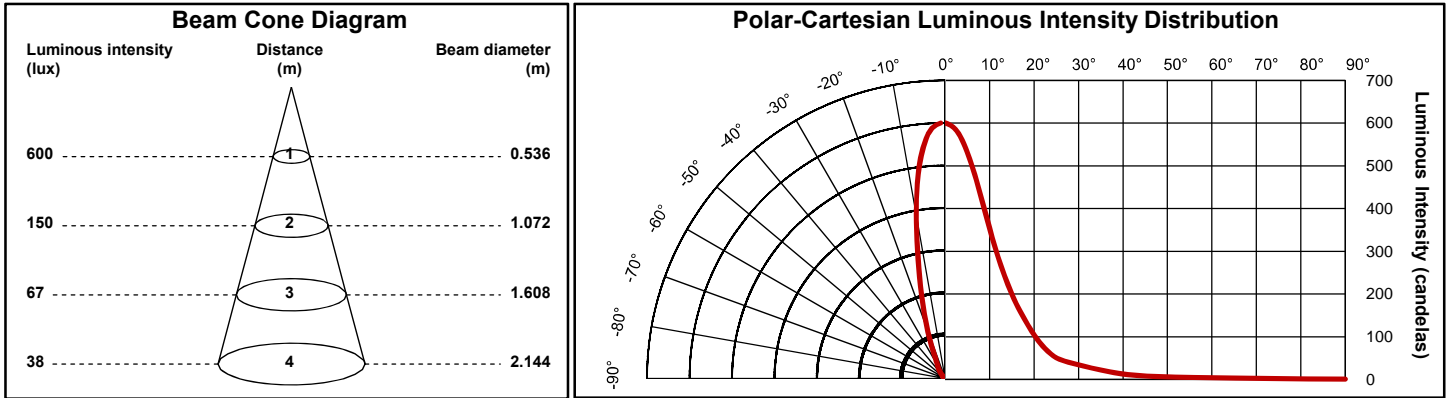
Issued by : GUANGZHOU
Date : 04.06.2012
Revision date :

DATA SHEET

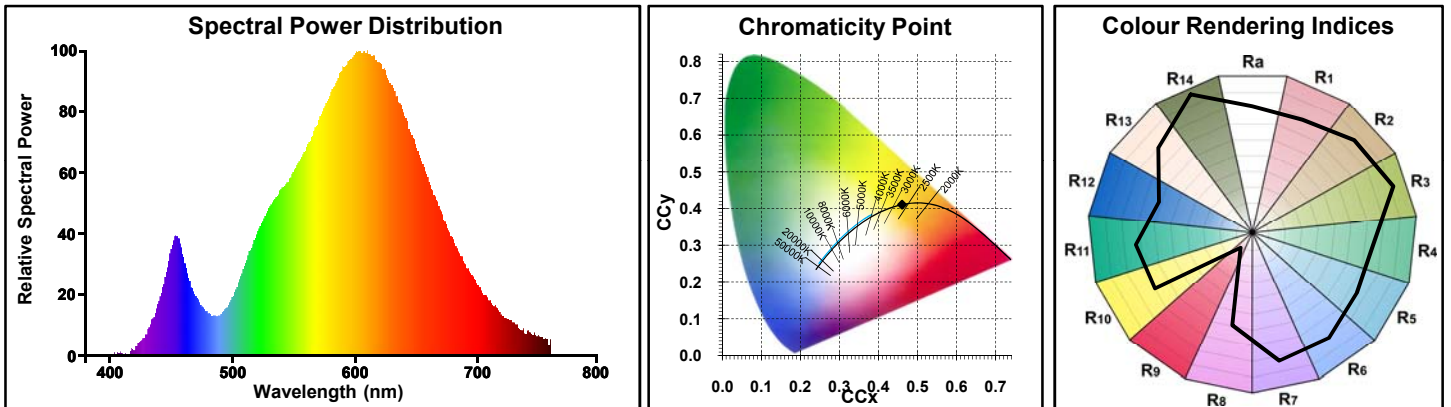
Specification No. : 70-R16-0026553
Supersedes :
Page : 1 of 2



PHOTOMETRIC GRAPHICS:



SPECTRAL GRAPHICS:



Issued by : GUANGZHOU Date : 04.06.2012 Revision date :	<h1>DATA SHEET</h1>	Specification No. : 70-R16-0026553 Supersedes : Page : 2 of 2
---	---------------------	---