

Briton

*376 Series Panic and Emergency
Exit Hardware*



FM 00401



EMS 66705

When specifying a product from Ingersoll Rand Security Technologies you can be assured that an uncompromising attention to detail has been given to every stage of design and manufacture. This ensures that its products and systems meet the highest possible quality and conformity certifications and exceed the requirements of all applicable European Standards.

A global leader in every sense of the word, Ingersoll Rand Security Technologies has an unrivalled track record in satisfying the demands of architects, designers, specifiers and building contractors throughout the world.

Ingersoll Rand Security Technologies manufactures a portfolio of market leading products, including Briton, the UK's number one brand of door controls. The Briton name is synonymous with high quality design, reliability and durability and is at the forefront of supplying products that meet the new European CPD requirements, such as one of the first ranges of CE marked fire exit hardware and door controls.



Briton

Door hardware and security products

Normbau

Coloured nylon design systems

Randi

Scandinavian stainless steel design systems

CISA

Hotel locking and security systems

In addition, Ingersoll Rand Security Technologies produces a wide selection of contemporary door hardware, including Randi, an architect-designed suite of stainless steel door furniture and bathroom fittings, manufactured at its factory in Denmark.

An extensive series of coloured nylon and stainless steel products are manufactured in the company's German facility under the Normbau brand. The range incorporates lever and pull handles as well as complementary accessories, a comprehensive railing system and products for people with special needs.

Manufactured in Italy and designed to suit even the most demanding professional requirements in the security sector, Ingersoll Rand Security Technologies' CISA range incorporates traditional hardware products, hotel locks and advanced access control systems with 'smart card'.

Briton 376 Series

The Briton 376 Panic and Emergency Exit Hardware Series has been designed to provide immediate escape at all times. Recently updated with a new stylish look, the Briton 376 Series still consists of all the features and benefits expected from a panic exit device that is branded **Briton**.

The range, comprising of the following variants, are fully compliant to EN 1125:2008 or EN 179:2008, are CE marked to the latest standards and come complete with a 5 year guarantee:

- Vertical panic bolts
- Reversible rim panic latches
- Mortice panic nightlatches
- Push pad vertical bolts
- Reversible push pad rim panic latches
- Push pad mortice nightlatches



From 1st January 2010, it is mandatory for all manufacturers to comply with the latest revisions of EN 1125:2008, EN 179:2008 and CE Marking.

All Briton 376 Series exit devices have been tested and certified to prove compliance with these latest standards EN 1125 & EN 179 which govern the application of panic and emergency exit hardware – but which one is for which application?



Panic Applications Conforming to EN 1125

A '*panic*' application is where the exit door is used by members of the public and must provide "safe and effective escape through the doorway with minimum effort and without prior knowledge of operation".

Typical applications include:

- Shops
- Schools
- Hospitals
- Theatres and Cinemas

Products used in panic applications require an operating device that covers the width of the door e.g. crossbars or touchbars.

Briton Standards & Legislation

Following the update to the standards in 2008, testing became more onerous to reflect 'real life' scenarios requiring the exit devices to function effectively under the action of a side load, simulating pushing against the door as might be expected in a panic situation.



Emergency Applications Conforming to EN 179

An '**emergency**' application is where the exit door is in a low occupancy environment and will only be used by trained personnel such as in a place of work, never accessed by the public or people unfamiliar with the escape drill.

Typical applications include:

- Offices
- Private Flats & Apartments
- Store Rooms & Boiler Rooms

Products used in emergency applications require only a single point of operation e.g. pushpads or levers.

When lives may depend on an exit device Briton feel they have a responsibility to design and test products to exceed all current performance and safety standards, ensuring they will operate first time, every time.

Rigorous testing is continually being carried out on the Briton range of exit hardware providing peace of mind for specifiers, distributors, installers and users.

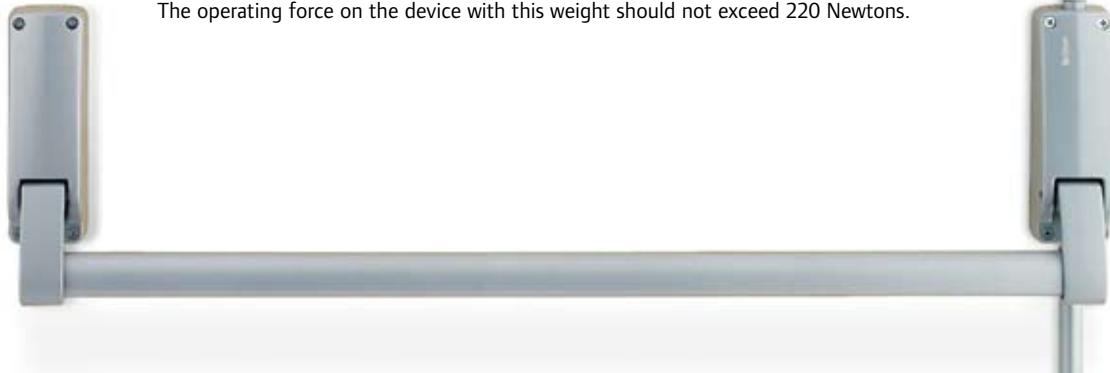
Low operating force

Repeatedly tested to operate at 50% lower than the standard requirement, ensuring that the door can be operated with minimum force, for example by small children, the elderly and people with special needs.

Two tests are undertaken. The first is to operate the door with a maximum force of 80 Newtons.

The second test simulates a panic situation whereby the door is put under 1000 Newton pressure to simulate a group of people pushing against the door.

The operating force on the device with this weight should not exceed 220 Newtons.



Cycle testing

Briton 376 Series products exceed the highest requirement of 200,000 cycles, ensuring durability for everyday use.

The finger trap test

To reduce the risk of trapping fingers and/or the blocking of the panic device, any gap shall not trap a test rod of 10mm dia. at any position of the bar travel during the operation of the panic device.

Corrosion resistance

A test which measures how suitable the exit device is for varying environmental conditions. All Briton 376 Series hardware has been tested to EN 1670 Building Corrosion Requirements and has achieved at least grade 3 (high resistance). This ensures the product will function correctly in wet, polluted and exterior environments. Note, EN 1670 test does not relate to the finish.

Abusing the crossbar

The crossbar is attacked with a force equivalent to a 16 stone man (1000 Newtons) pulling/pushing it in all directions and standing on it, after which the bar must still operate.

Abusing the bolt

Testing the bolt strength involves the equivalent of the combined strength of 4 people trying to pull the bolt away from the door.

An attempted break-in is simulated to test the security of the bolt, force is applied to the anti-thrust device as if the bolt were being 'jimmied' out of its socket.

Briton Testing and CE Marking



CE

From 1st January 2010 it will be compulsory for manufacturers to mark all panic and emergency exit devices with the new CE classification to prove compliance with the latest standards.

There are 3 ways to be sure exit hardware meets the CE mark criteria:

1. - CE certificates are readily available for inspection.
2. - Products are regularly tested within a UKAS accredited testing facility as part of an ongoing audit test programme.
3. - Products are manufactured on a production line that has been inspected and accredited under FPC (Factory Process Control) conditions, a further requirement of the CE marking process. This ensures that correctly specified materials and manufacturing methods are consistently employed.



EN Classification Codes

Under both standards (EN 1125 and EN 179), each product is classified and graded to identify the level of compliance within each category. These classifications are set out below with the additional element of 'Field of Door Application' introduced in the 2008 edition of EN 1125 and EN 179 shown highlighted.

	Category of use
	Class 3 = high frequency of use by public and others with little incentive to exercise care.
3 (3)	Durability (Cycle Testing)
	Grade 6 - 100,000 cycles Grade 7 - 200,000 cycles
7 (6/7)	Door size/mass
	Class 5 - doors up to 100kg Class 6 - doors up to 200kg. Class 7 - doors over 200kg.
6 (5-7)	Fire Resistance (EN 1634)
	Grade 0 - not approved for fire/smoke door use Grade A - approved for smoke door assemblies Grade B - approved for use on fire & smoke door assemblies
B (0/A/B)	Safety
	All panic and emergency devices have a critical safety function therefore only grade 1 is identified.
1 (1)	Corrosion Resistance (EN 1670)
	Grade 3 - high resistance Grade 4 - very high resistance.
3 (3/4)	Security
	EN 1125 - Grade 2 - up to 1000N. EN 179 - Grade 2 - 1000N - Grade 3 - 2000N - Grade 4 - 3000N - Grade 5 - 5000N
2 (2-5)	Projection of Device
	Class 1 - projection up to 150mm Class 2 - projection up to 100mm
2 (1/2)	Type of Operation
	EN 1125 Type A - 'push bar' operation Type B - 'touch bar' operation EN 179 Type A - 'lever handle' operation Type B - 'push pad' operation
A (A/B)	Field of Door Application
	Category A - Single/Double door - active or inactive leaf Category B - Single door only Category C - Double door only - inactive leaf only
A (A-C)	

Briton Products to EN 1125

“The most important thing you must consider when specifying panic exit hardware is who might be in the building in the event of an emergency.”

The following range consists of a vertical panic bolt, rim panic latch and a mortice nightlatch operator. Each product is operated by a horizontal push bar which, when pushed in a downward arc, withdraws either the bolts or the latch, releasing the door for immediate escape in the event of an emergency.

IMPORTANT NOTE - If you are in any doubt at all **ALWAYS** use products that conform to EN 1125

Where personnel have not been trained in the location and operation of the buildings exit devices or members of the public have access, exit devices conforming to EN 1125 must be specified and installed.



Briton 376 vertical panic bolt

- Two point locking for extra security
- Anti-thrust device, prevents unauthorised retraction of the latch bolt
- Suitable for use on single and double door applications
- Self-handed - will suit both left and right handed doors
- Suitable for doors up to 2500mm high x 1300mm wide (extension rods are available for doors outside these sizes)
- Optional models available include pullman latches, alarmed and manually dogged (hold open) functions
- Adjustable top and bottom shoots
- Supplied with an easy clean socket
- Metal door variant available with metal door strikes and machine screws, order **376M**

Briton 378 reversible rim panic latch

- Suitable for use on single doors and the first opening leaf of double doors with rebated meeting stiles
- Supplied in left or right hand, but can be reversed on site
- Suitable for doors up to 1300mm wide
- Double door strike available for double rebated door applications
- Available with manual dogging (hold open)
- Can be used with rim cylinder fitted to the outside of the door
- Metal door variant available with a metal door strike and metal thread screws, order **378M**

Briton 379.N mortice panic nightlatch

- Suitable for use on single and the first opening leaf of double door applications
- Supplied right hand, but can be reversed on site
- Suitable for doors up to 1300mm wide
- Supplied with dual profile cylinder mortice nightlatch, accepts both euro and oval profile cylinders (cylinder not supplied)
- Anti-thrust device, prevents unauthorised retraction of the latch bolt
- Optional models include alarmed and manually dogged (hold open) functions
- Metal door variant available with a metal box striker and machine screws, order **379M.N**



Briton 377 Double rebated door panic set

Comprises a Briton **376** vertical panic bolt, **378** reversible rim panic latch & **378DDS** double door strike in one convenient pack.

See page 13 for further information

377

Briton Products to EN 179

“These products should never be used in areas open to the general public.”

Products conforming to EN 179 are **only** intended for use by personnel who are fully aware of the escape routes and have been trained to operate these devices.

The following range consists of a push pad vertical bolt, reversible push pad rim latch and push pad mortice nightlatch. Each product when operated withdraws either the bolts or the latch, releasing the door for immediate escape in the event of an emergency.

IMPORTANT NOTE - If you are in any doubt at all **ALWAYS** use products that conform to EN 1125



Briton 372 push pad vertical bolt

- Pad operated vertical bolt
- Anti-thrust device, prevents unauthorised retraction of the latch bolt
- Suitable for use on single and double door applications
- Self-handed to suit left and right handed doors
- Security - Grade 4: 3,000 Newtons
- Suitable for doors up to 2500mm high x 1300mm wide (extension rods are available for doors outside these sizes)
- Adjustable top and bottom shoots
- Supplied with an easy clean socket
- Metal door variant available with metal door strikes and machine screws, order **372M**



Briton 1438 reversible push pad rim latch

- Pad operated rim latch
- Suitable for use on single doors and the first opening leaf of double rebated door applications
- Supplied in left or right hand, but can be reversed on site
- Suitable for doors up to 1300mm wide
- Security - Grade 4: 3,000 Newtons
- Double door strike available for double rebated door applications
- Can be used with a rim cylinder fitted to the outside of the door
- Metal door variant available with a metal door strike and metal thread screws, order **1438M**



Briton 389.N push pad mortice nightlatch

- Pad operated mortice nightlatch
- Suitable for use on single and the first opening leaf of double door applications
- Supplied right hand, but can be reversed on site
- Security - Grade 4: 3,000 Newtons
- Suitable for doors up to 1300mm wide
- Supplied with dual profile cylinder mortice nightlatch, accepts both euro and oval profile cylinders (cylinder not supplied)
- Anti-thrust device, prevents unauthorised retraction of the latch bolt
- Metal door variant available with a metal box striker and machine screws, order **389M.N**

816 - Legge rim cylinder

- For use with Briton 378 and 1438
- Available in polished brass and satin nickel finishes



- Designed to suite with all Briton 376 series of CEN compliant exit devices
- Choice of interchangeable knob, or lever (available separately) allowing the most appropriate method of operation to be selected for the buildings users
- Supplied with euro-profile cylinder as standard. Cylinders can be keyed-alike or master-keyed
- Clearly illustrated instructions and template enabling accurate installation
- Suitable for doors between 40mm and 70mm thick
- Fixings supplied are suitable for timber & metal doorsets
- Powder coated for additional durability – choice of silver, gold, brown bronze or 12 Normbau finishes
- Choice of plated finishes – satin stainless steel, polished stainless steel and polished brass
- 5 year warranty



Briton 1413E/LE - lever variant

- A combination of market trends and the effect of The Disability Discrimination Act (DDA) has resulted in an increase in market demand for lever operation.
- The lever is secured to the OAD by a special shear screw designed to fail if the lever is severely abused (e.g. attempted break in, or vandalism) ensuring the mechanism is protected from damage. The shear pin can then be simply replaced to restore normal operation.
- Lever supplied loose to allow easy on-site handing



Briton 1413E/KE – knob variant

- Ergonomic design providing improved grip in wet conditions.
- Non-handed

Please note: not recommended for high use areas

Briton Accessories



Extra long top shoot - 376ELTS

- Extra long top shoots are suitable for use on doors in areas that require the push bar to be in a lower position ie schools. It can also be used on doors up to 3350mm high, however doors over 2500mm are outside the scope of EN 1125 and EN 179.
- For use with Briton 376, 376.D, 376.P, 376.PD, 376.A, and 372.
- Available in a wide range of finishes. (see page 7)



Flush face keeper plate - 376FFKP

- For use with 376, 376.D, 376.A, and 372
- For applications where there is a flush head frame a flush face keeper plate can be used to secure the bolt.



Double door strike - 378DDS

- For use on double rebated door applications with a rim panic latch on the first opening leaf and a vertical bolt on the second opening leaf.
- Available in a wide range of finishes (see page 7).

Door co-ordinator

EN 1125 and EN 179 recommend that on a pair of self-closing double rebated fire doors a door co-ordinating device is fitted to ensure the door leaves close in the correct sequence.

Metal Door Applications

The following surface fixed strikes have been specifically designed for use on metal door sets to simplify installation.



- Briton 376MDS (illustrated above) for vertical panic bolts comprises 2 strike plates and 1 trip plate to activate the top tripper



- Briton 378MDS metal door strike (illustrated above) for use with Briton 378 rim devices on single doors, or on the first opening leaf of a double rebated application.



- Briton 379MDS metal box strike (illustrated above) for use with Briton 379.N mortice panic nightlatch.

All Briton exit devices are supplied with self-tapping screws as standard, which are suitable for both timber and metal doorsets.

For customers who prefer machine screws, alternative fixing packs are now available.

“Consideration should also be made to the following factors when selecting exit hardware.”

Security

Although these devices are designed to provide immediate escape in an emergency situation, we have not forgotten the need for security against unauthorised use by shoplifters or from the outside by burglars.

The **Briton 379.N** mortice panic nightlatch offers additional security without affecting safety.

Alarmed units **Briton 376.A** and **Briton 379.NA** have a switch mechanism in the end box which can be used with an alarm function. The switch mechanism can be connected to an audio/visual alarm system giving immediate warning of any unauthorised use of emergency exits. The door cannot be opened without the alarm being activated. The unit has an electrical rating of 24 Volts D.C. - 1.4 Amps maximum @ 70°C



Smooth and quiet action

For doors that are subject to high levels of traffic, for example interconnecting doors in high populated areas, pullman latches on a vertical panic bolt provide a smooth and quiet alternative. Also available with metal threaded screws

- **376M.P**

- **372M.P**

Pullman latches **376/931** can be supplied separately and are supplied as standard on **Briton 376.P, 372.P** and **376.PD**.



Controlled Access

Using a **Briton 1413** outside locking device will give access from the outside for keyholders when the door is locked. When unlocked the door can also be operated from the outside by using the lever/knob. See page 8 for further details.

To permit free access during designated periods, the option of manual dogging (hold open) can be selected, which allows the latch or the bolts to be held in the withdrawn position. Available on **Briton 376.D, 376.PD, 378.D & 379.ND**.

Briton Finishes

All exit devices and outside access devices are now available in a wide range of finishes including:

Powder coated finishes

Silver (SE), gold (GE) brown bronze (BE) and the full range of colours to match the Normbau range of nylon architectural hardware.

Dual finishes

Green and white, black and red

All coloured finishes are now powder coated for increased durability and have been salt-spray tested in excess of 240 hours. For high corrosive areas we recommend you use a powder coated finish.

Metallic plated finishes

Satin stainless steel (SS), polished stainless steel (PS), polished brass (PB)

Double door strikes and metal door strikes are now available colour matched.



Powder Coated Finishes



silver
(SE)



gold
(GE)



brown bronze
(BE)



white 19
NWH

RAL-DS 000 95 00



manhattan 67
NMG

RAL-DS 080 70 05



dark grey 18
NDG

RAL-DS 000 35 00



black 16
NBL

RAL-DS 000 15 00



blue 11
NBU

RAL-DS 270 30 40



dark blue 37
NDB

RAL-DS 270 20 25



yellow 22
NYE

RAL-DS 080 80 90



green 13
NGR

RAL-DS 160 30 38



red 12
NRE

RAL-DS 030 30 45



slate blue 63
NSB

RAL-DS 240 50 15

Due to the limitation of the printing process, we suggest you check your final choice of finish against the actual products or sample swatch.

Metallic Plated Finishes



satin stainless steel
(SS)



polished stainless steel
(PS)



polished brass
(PBS)

For external or highly corrosive areas we recommend the use of a powder coated finish to give the most effective protection.



Product selector

Device Type	376	376.D	376.P	376.PD	376.A	378	378.D	377	379.N	379.NA	379.ND	372	372.P	1438	389.N
Panic exit device	●	●	●	●	●	●	●	●	●	●	●				
Emergency exit device												●	●	●	●
Vertical bolts	●	●	●	●	●										
Rim latch						●	●								
Double rebated door set								●							
Mortice nightlatch									●	●	●				
Pad operated vertical bolt												●	●		
Pad operated rim latch														●	
Pad operated mortice nightlatch															●
Features	376	376.D	376.P	376.PD	376.A	378	378.D	377	379.N	379.NA	379.ND	372	372.P	1438	389.N
Adjustable shoots	●	●	●	●	●			●				●	●		
Cross bar or shoots cut on-site	●	●	●	●	●	●	●	●	●	●	●				
Self handed	●	●	●	●	●							●	●		
Easy on-site handing						●	●	●	●	●	●			●	●
Handed - specify when ordering						●	●	●						●	
Alarmed - requires power					●					●					
Dogged hold-open facility		●		●			●				●				
C/W mortice cylinder nightlatch									●	●	●				●
Pullman latches top/bottom			●	●									●		
Metal door variant available	●		●			●			●			●	●	●	●
5 year guarantee	●	●	●	●	●	●	●	●	●	●	●	●	●	●	●
Standards & Testing	376	376.D	376.P	376.PD	376.A	378	378.D	377	379.N	379.NA	379.ND	372	372.P	1438	389.N
Fully compliant to EN 1125	●	●	●	●	●	●	●	●	●	●	●				
Fully compliant to EN 179												●	●	●	●
Suitable for fire doors	●	●	●	●	●	●	●	●	●	●	●	●	●	●	●
Fire tested to EN 1634 (Timber door 60 min) **									●	●	●				●
Fire tested to EN 1634 (Timber door 120 min)	●	●	●	●	●	●	●	●				●	●	●	
Fire tested to BS 476:pt 22 (Steel door 240min)	●		●		●	●		●	●	●		●	●	●	●

** - Nightlatch to be bedded on 1mm intumescent material

Briton Product Selector



Product selector

Accessories	376	376.D	376.P	376.PD	376.A	378	378.D	377	379.N	379.NA	379.ND	372	372.P	1438	389.N
1413E outside access unit	•	•	•	•	•	•	•	•	•	•	•	•	•	•	•
376LTS extra long top shoot	•	•	•	•	•	•	•	•	•	•	•	•	•	•	•
Legge 816 rim cylinder						•	•							•	
376FFKP flush face keeper	•	•			•			•				•			
378DDS double door strike						•	•	•						•	
376MDS metal door strike	•	•	•	•	•			•				•	•		
378MDS metal door strike						•	•	•							
379MDS metal door strike									•	•	•				•

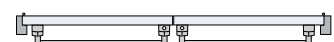
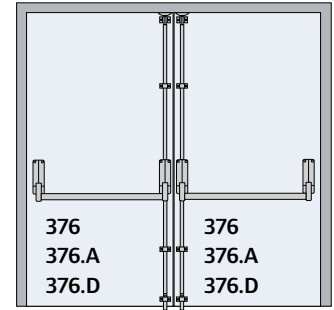
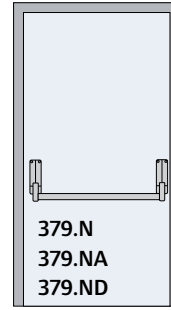
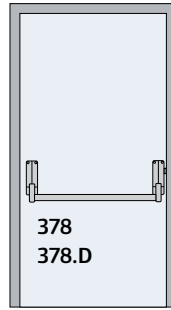
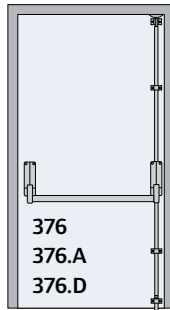
Finishes	376	376.D	376.P	376.PD	376.A	378	378.D	377	379.N	379.NA	379.ND	372	372.P	1438	389.N
Sprayed silver	•	•	•	•	•	•	•	•	•	•	•	•	•	•	•
Sprayed gold	•	•	•	•	•	•	•	•	•	•	•	•	•	•	•
Normbau colours	•	•	•	•	•	•	•	•	•	•	•	•	•	•	•
Dual finishes	•	•	•	•	•	•	•	•	•	•	•				
Plated finishes	•	•	•	•	•	•	•	•	•	•	•	•	•	•	•

EN Classifications	376	376.D	376.P	376.PD	376.A	378	378.D	377	379.N	379.NA	379.ND	372	372.P	1438	389.N
376B1322AA	•	•	•	•	•	•	•	•	•	•	•				
376B1342BA												•	•	•	•

Briton 376 series Panic and Emergency exit hardware is suitable for application to single doors, and in combinations on non-rebated and rebated double doors.

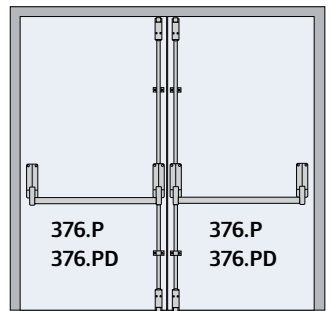
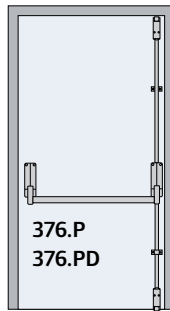
EN 1125

Vertical devices with top and bottom shoot bolts



Plain meeting stiles

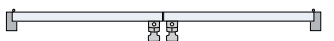
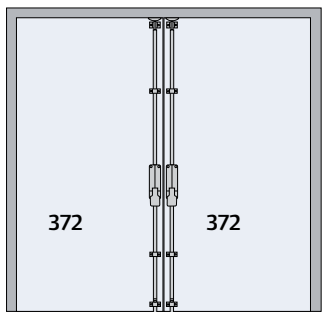
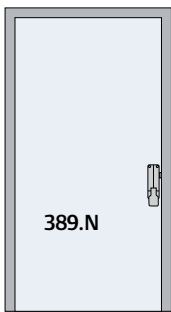
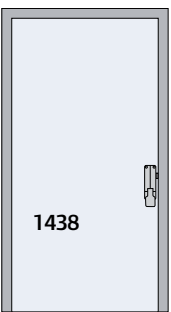
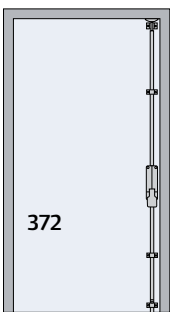
Vertical devices with top and bottom pullman latches



Plain meeting stiles

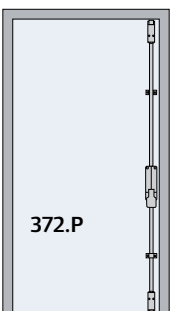
EN 179

Vertical devices with top and bottom shoot bolts



Plain meeting stiles

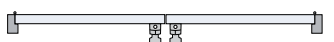
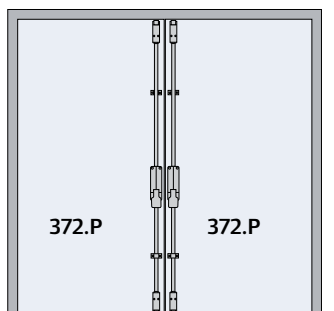
Vertical devices with top and bottom pullman latches



Left hand
ISO. 5.0



Right hand
ISO. 6.0



Plain meeting stiles

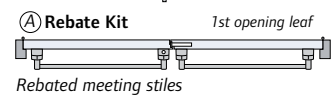
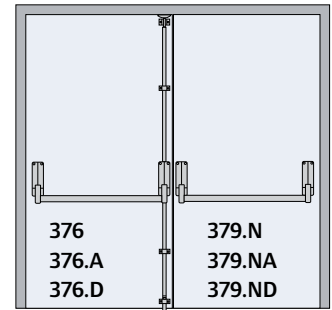
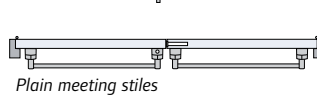
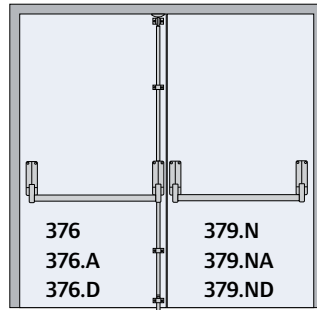
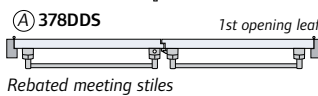
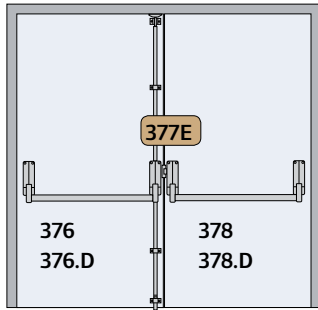
Briton Application Guide

Consideration should be given to the use of door co-ordinating devices for rebated pairs of doors. A door co-ordinating device must be used for fire/smoke applications.

EN 1125

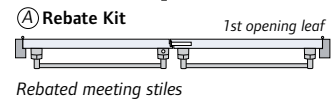
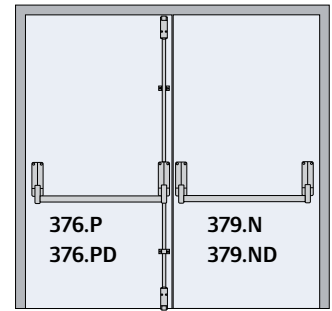
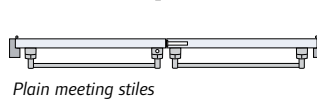
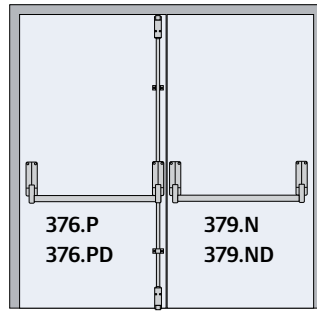
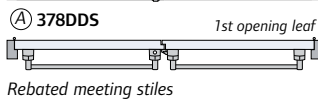
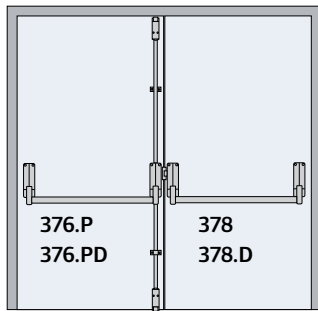
Vertical devices with top and bottom shoot bolts

Ⓐ Accessories required



Vertical devices with top and bottom pullman latches

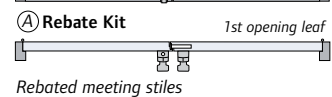
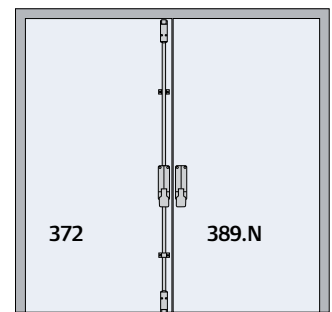
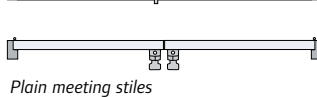
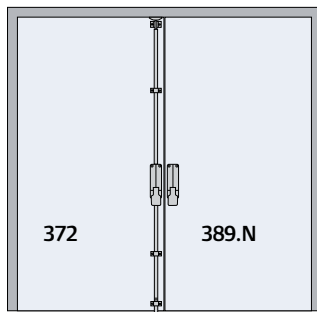
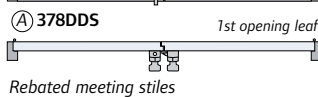
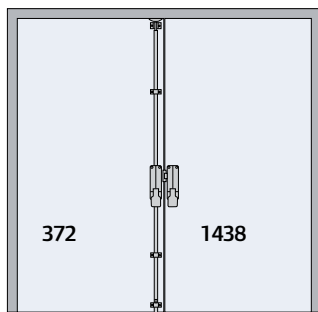
Ⓐ Accessories required



EN 179

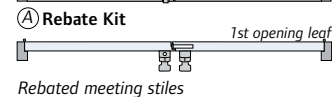
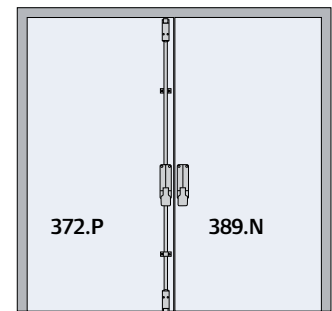
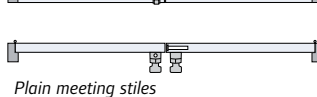
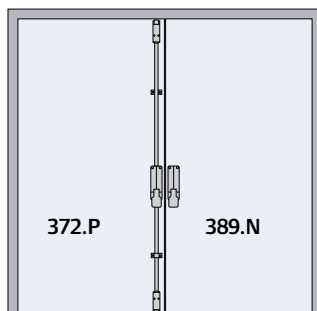
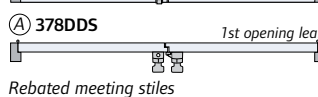
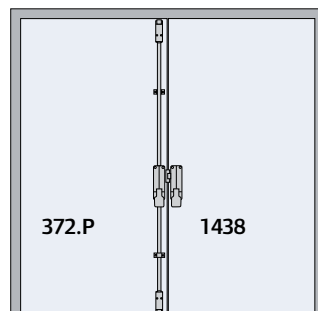
Vertical devices with top and bottom shoot bolts

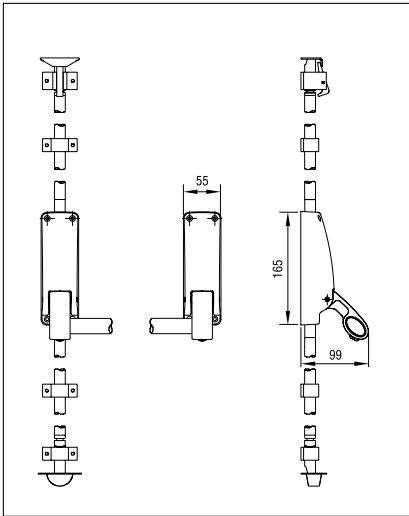
Ⓐ Accessories required



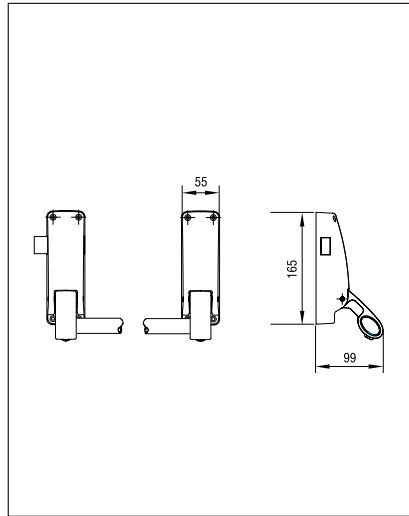
Vertical devices with top and bottom pullman latches

Ⓐ Accessories required

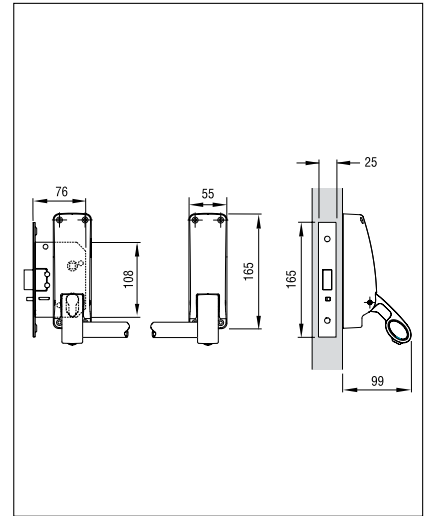




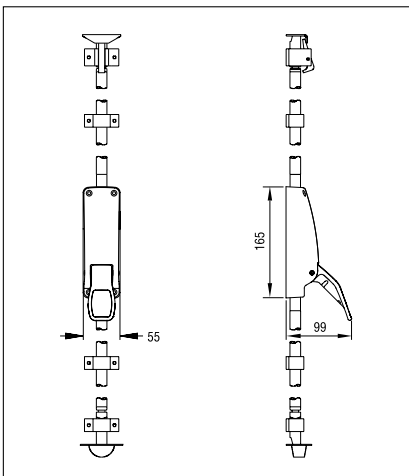
Briton
376, 376.D, 376.P, 376.PD, 376.A



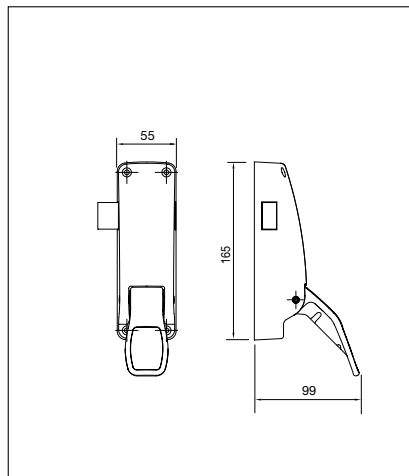
Briton
378E, 378.D



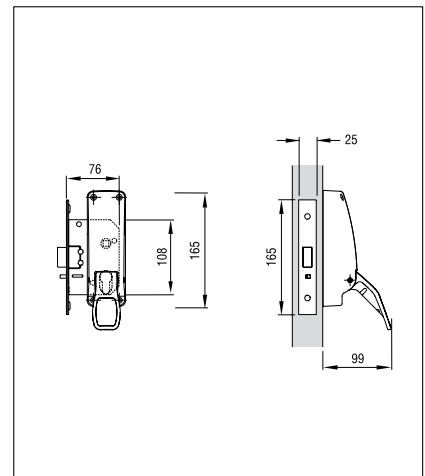
Briton
379.N, 379.NA, 379.ND



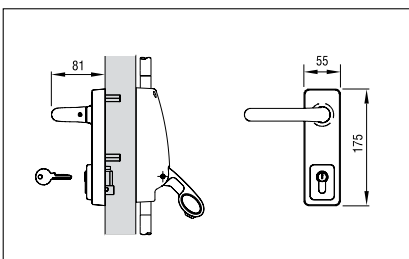
Briton
372, 372.P



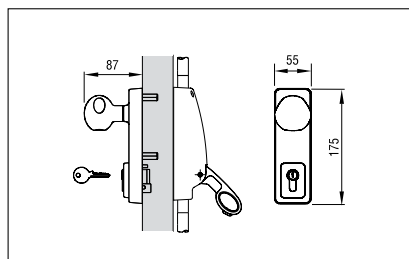
Briton
1438



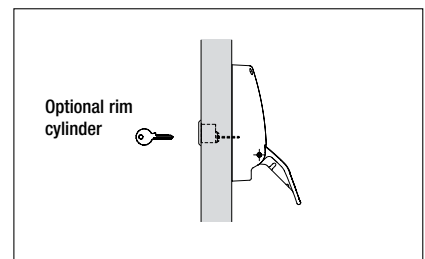
Briton
389.N



Briton
1413E/LE



Briton
1413E/KE



Legge
816

Door sizes

All products are suitable for use on doors up to 2500mm high x 1300mm wide. Minimum width of stiles 78mm for 13mm rebates and 90mm for 25mm rebates. For doors with less than 665mm clear opening width please seek advice from Technical Services. For Briton 379.N, 379.NA & 379.ND minimum door thickness is 40mm and minimum width of stile is 88mm.

Construction

Aluminium die cast body and end boxes, with extruded aluminium guides. Solid steel shoot ends with tubular steel shoots and cross bars. Latch bolts are manufactured from extruded brass.

Maintenance

Panic and emergency exit hardware play a vital role in the buildings escape route, and it is important that these devices are inspected and maintained properly to ensure safety at all times.

As recommended in **EN 1125** and **EN 179** the following routine maintenance checks should be undertaken at intervals of not more than 1 month by the occupier or his approved representative:

- Inspect and operate the emergency exit device to ensure all components are in satisfactory working condition
- Ensure that keepers are free from obstruction

Fire/Smoke

Reference the Fire Precautions Act 1971, always consult the Local Fire Officer for his/her interpretation of the Act before finalising specification. Products within the Briton 376 series have been included in successful fire tests to EN 1634 & BS 476 Part 22. See [page 10](#) for details of products tested. Contact Technical Support for the precise field or application details.

Fixing/Installation

Surface mounted and easily installed as fully described in the fixing instructions. Bars and shoots are supplied with loose end plugs and should be cut to exact size on site. Top and bottom shoots allow 5mm adjustment to ensure accurate fixing. Fixing and maintenance instructions must always be passed on to the user upon completion of installation. Supplied with either self tapping screws or metal thread screws dependent on product selection.

Guarantee

To back up the high quality performance guarantee and durability of the Briton 376 series, it is supplied with a 5 year guarantee on mechanical parts, with free replacement ex-works of any Panic and Emergency Exit hardware proved defective by reason of either faulty manufacture or defect in materials.

Special Applications

For special applications outside those mentioned within this brochure please contact technical support who will be able to advise and assist with product selection for non-standard installations.

Technical Support

If you have any queries regarding Briton exit devices and product selection please call our technical support department who will be pleased to offer any assistance on any aspect of our products including queries on:

- Product selection
- Advice on installation
- Trouble shooting
- Ancillary products and spare parts.

For further details call the Technical Support team on freephone **0800 834102**

Supply & Quotations

The Briton 376 series is available through a nationwide network of architectural ironmongers and builders' merchants.

For your local stockist please contact the Customer Care Centre on **08706 012 012** or visit our website security.ingersollrand.co.uk

Other products to EN 1125 include the Briton 500 range of panic exit devices featuring multi point locking.

Further details available on request.



Briton 570 series panic exit touch bars.



Ingersoll Rand Security Technologies is a leading global provider of products and services that make environments safe, secure and productive. The sector's market-leading products include electronic and biometric access control systems; time & attendance and personnel scheduling systems; mechanical locks and portable security; door controls, exit devices and architectural hardware; performance steel doorsets and automated openings; and other technologies and services for global security markets.

Progress is greener with Ingersoll Rand

In accordance with our Environmental policy, this brochure has been produced by a company accredited to ISO 14001 using a Carbon Neutral paper stock containing 50% post consumer waste and with a chain of custody certified to FSC approval.



Please recycle this brochure when you no longer need it.

Ingersoll Rand Security Technologies

Bescot Crescent Walsall West Midlands WS1 4DL

Tel. 01922 707400 Fax. 020 8612 1096 Customer Care Centre Tel. 08706 012012 Customer Care Centre Fax. 0800 834103

Email info@ingersollrand.co.uk Web security.ingersollrand.co.uk

Whilst Ingersoll Rand Security Technologies has taken every care to ensure the accuracy of information, data or advice contained in this literature, no liability in respect of such information or advice, whether given negligently or not, can be accepted by the company. Ingersoll Rand retains the right to amend the technical specification of any range of equipment shown without prior notice.