

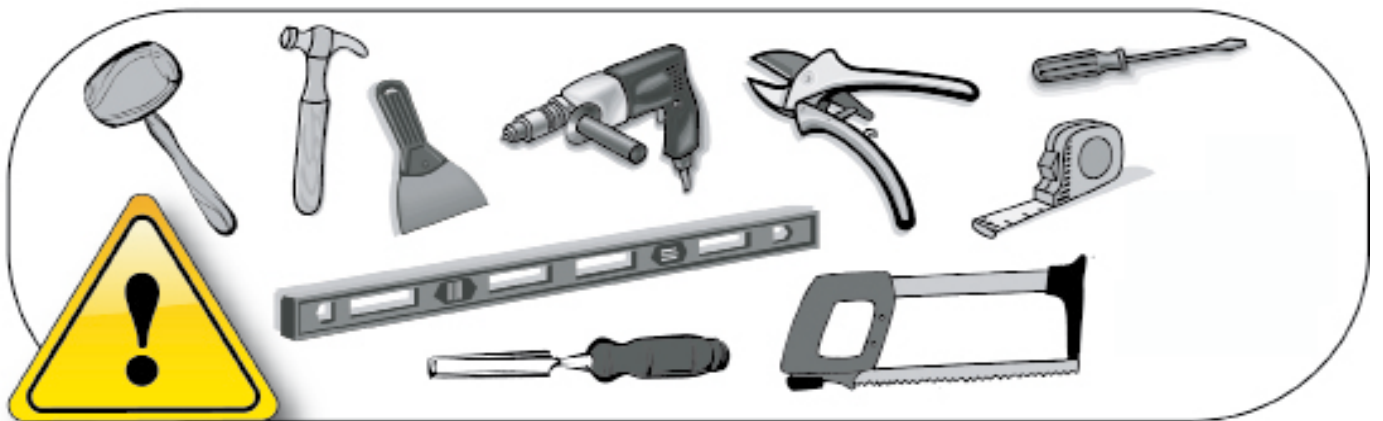
# PVCu FOLD & SLIDE DOOR OUTWARD OPENING



## STEP-BY-STEP FULLY ILLUSTRATED ASSEMBLY INSTRUCTIONS

This product is covered by a 10 year manufacturer's guarantee. Should any part of it become defective due to faulty materials or manufacture, it will be replaced free of charge (supply only). This guarantee does not cover glass breakage or any fault arising from incorrect installation. The product is not guaranteed against faults or defects that arise out of conditions of use or misuse. Any replacement parts supplied are for DIY and no claim can be accepted for any costs incurred for the installation of replacement parts. This guarantee is given as an extra benefit and does not affect your statutory rights. Please retain your receipt as dated proof of purchase. We reserve the right to change the specification of our products without prior notice.

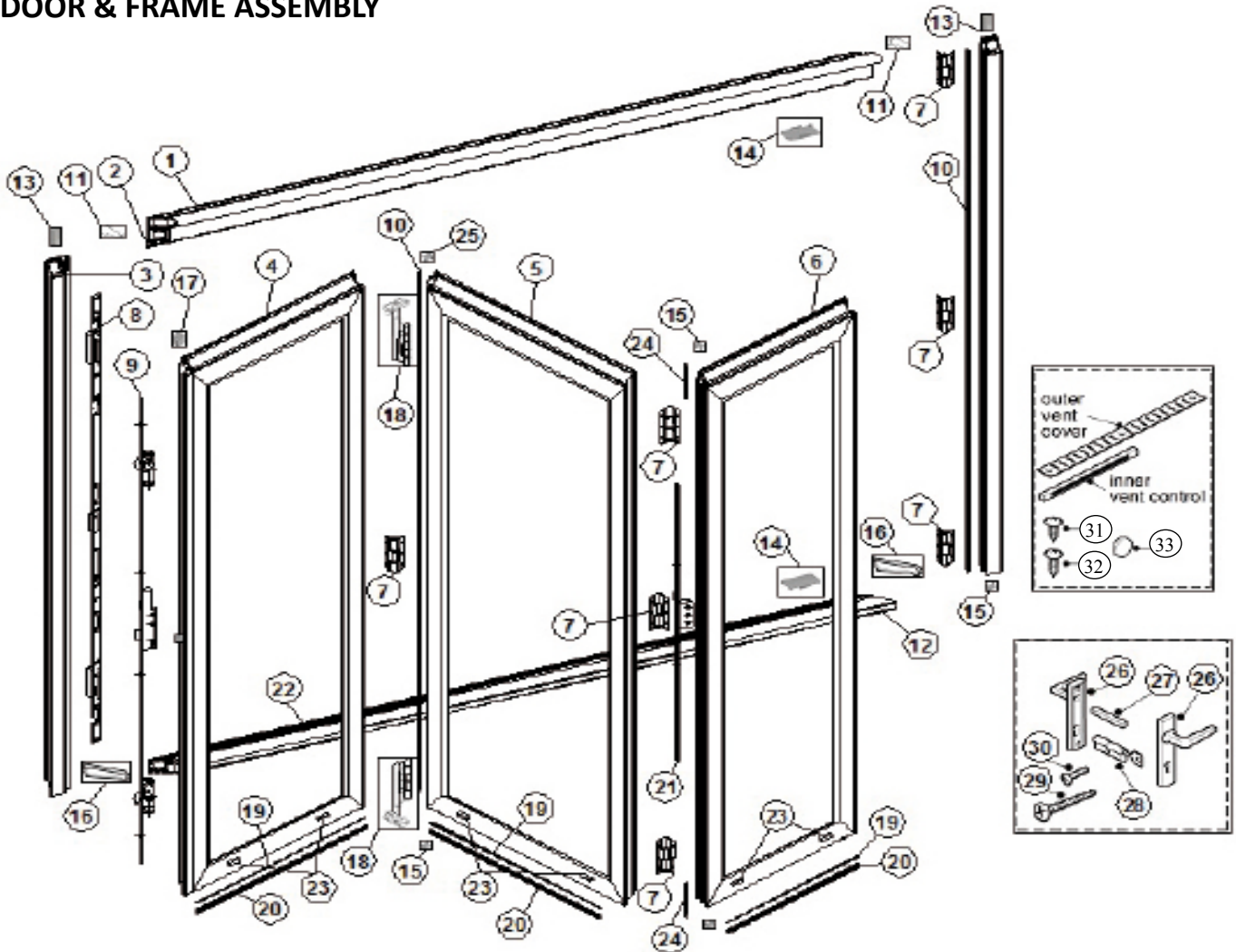
## TOOLS REQUIRED



## INTRODUCTION

Before commencing any work, carefully check all parts to ensure they are complete and free from marks or scratches on all finished surfaces. Read through these instructions to familiarise yourself with the installation procedure. Make sure that you have all the necessary tools and any additional items required e.g. sealant and additional fixings not included in the packs. All nominal dimensions are in mm. If in doubt, seek expert advice.

## DOOR & FRAME ASSEMBLY

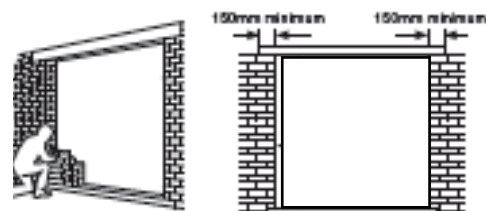


### KEY

- |                         |                            |                                   |
|-------------------------|----------------------------|-----------------------------------|
| 1. Vented head          | 12. Sill extension         | 23. Face drain caps               |
| 2. Top track            | 13. Jamb tenon insert      | 24. Shootbolt                     |
| 3. Flipper gasket       | 14. Track port cover       | 25. Shootbolt tongue end cap      |
| 4. Accessdoor           | 15. Tongue end cap         | 26. Handle                        |
| 5. Centre door          | 16. Sill extension end cap | 27. Lock operating bar            |
| 6. Hinged door          | 17. Closer end cap         | 28. Lock cylinder with keys       |
| 7. Knuckle hinge        | 18. 70mm roller assembly   | 29. Handle fixing screw           |
| 8. One piece keep       | 19. Brush seal carrier     | 30. Lock cylinder retaining screw |
| 9. Access door lock     | 20. Brush seal 4.8         | 31. Screw outer vent cover        |
| 10. Infill strip        | 21. Locking espag          | 32. Screw inner vent cover        |
| 11. Vented head end cap | 22. Bottom track           | 33. Screw cover cap               |

## PREPARING THE OPENING

It is important that a suitable lintel is fitted above the opening. Cut brickwork with a 230mm diameter angle grinder (available From hire shops) and remove bricks using a cold chisel and hammer. Fit a damp proof membrane along the bottom of the aperture.



## STAGE 1 - THE BOTTOM TRACK



The bottom track is the most critical step and the track port is positioned at the stacking side. Ensure the three run up blocks (4 on 10ft doors) are inserted into the front slot of the bottom track as shown in (1) before insertion begins. Ensure the track is firm and level in both directions, using a laser level and packers where necessary. Pre-drill the track 100mm from each end and then 500mm apart, using a wooden block or piece of cardboard to protect the track (2) fix the track using a suitable fixing (not supplied) applicable to the type of floor construction, applying a bead of silicone under each screw head before tightening. Ensure the track is firm and level in both directions (3), (4).

## STAGE 2 - FIX THE FIRST JAMB



The first jamb to fix is the one that the door is to stack open against. Using the jamb tenon insert, ensure the jamb is fixed square on the track and level on both faces (5). This jamb must be firmly fixed to the wall to carry the weight of the door. Measure approximately 150mm downwards from the top and approximately 150mm upwards from the bottom of the frame and mark with a pencil. Mark two further points, equally spaced between the top and bottom ones, on each jamb (6). Drill through the frame at these marks with a steel bit (size to suit the fixings being used to fit the frame to the wall), then drill into the wall with a suitable masonry drill bit (7). Insert the required flat packers between frame and wall. Ensure the jamb is plumb and square (8). Fix the frame using suitable fittings (not supplied) applicable to the type of wall construction, applying a bead of silicone under each screw head before tightening.

## STAGE 3 - TOP TRACK & FIX THE SECOND JAMB



The track port is positioned at the stacking side. Apply a bead of suitable grade of silicone sealant along the top track and position the vented head onto the top track (9). Measure a distance of approx. 50mm from each end and at the centre of the head mark with a pencil (10). Drill through the head through the back channel and top track with a 3.2mm drill, at the marked positions (taking care not to break through the internal face of the top track) and fix with 3 x 55mm element screws. Apply a bead of silicone sealant to each end of the vented head (just the length of the end-cap) then push the end-caps into place so that the positioning pegs fit tightly into the head. Using the jamb tenon insert, position the top track on top of the jamb (11), place the other jamb under the top track to hold it in place (12). If practically possible, do not fix the top track at this stage. Using the jamb tenon insert, ensure the second jamb is fixed square on the track and level on both faces. This jamb must be firmly fixed to the wall (as described in Stage's 6, 7 & 8.(above).

## STAGE 4 - FIX THE TOP TRACK



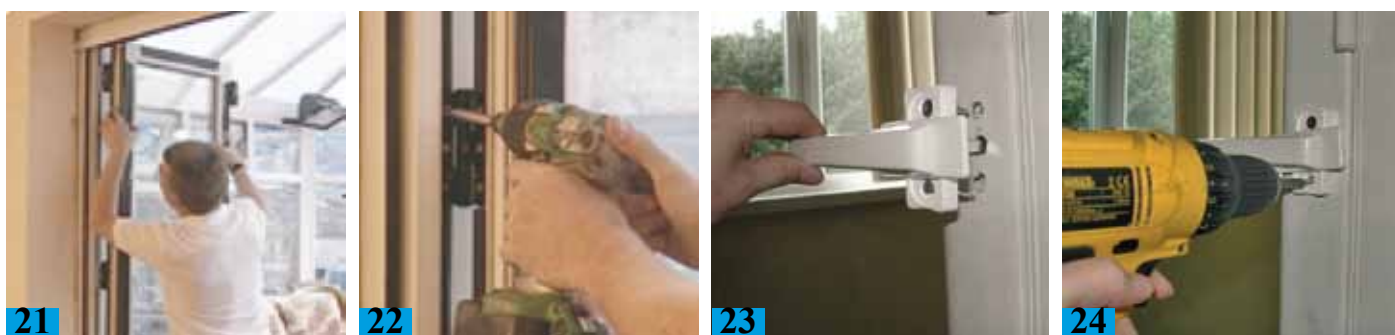
Ensure the track is firm and level in both directions, using a laser level and packers where necessary (13). Pre-drill the track 100mm from each end (14) and then 500mm apart (15), using a wooden block or piece of cardboard to protect the track fix the track using a suitable fixing (not supplied) applicable to the type of construction above, applying a bead of silicone under each screw head before tightening. Ensure the track is firm and level in both directions (16).

## STAGE 5 - SETTING AND INSTALLING THE ROLLERS



Remove the top and bottom hinges from the connecting edge of the centre and access doors and attach them to the rollers (17 & 18). Set the rollers by winding the bottom Allen bolt to 32mm for the bottom roller and 35mm (19) for the top. The measurement is taken from the top of the white carrier to the underside of the T on the roller. Insert all the rollers into the tracks. One top and one bottom (20). Ensure the hinge is positioned on the correct side.  
*(Black hinges shown for illustration purposes only - actual hinge will be white)*

## STAGE 6 - LOCATE THE HINGED DOOR & FIT THE HANDLE



Lift the hinged door into position(21). We recommend that two persons lift the panels. For easy positioning, place timber on the floor so that the top of the timber is 8mm higher than the top of the bottom track. Lift the panel onto to the timber. Locate the hinges and fix to the first jamb (22). Check the panel for parallel positioning and clearance with the tracks. Fit the flat handle into the holes on the door jamb (23). Fix the screws to locate the handle and spin the screw cover plate to cover the fixing screws (24).

## STAGE 7 - FIX THE CENTRE AND ACCESS DOOR (& SLAVE DOOR ON THE 10FT OPTION)



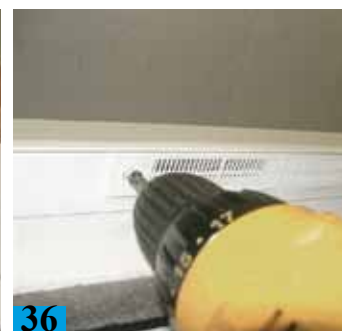
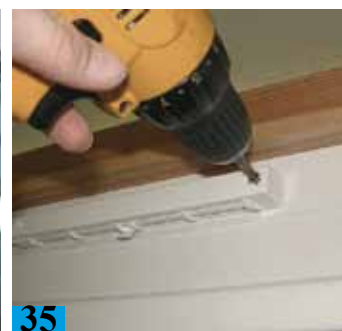
Using the same method as the hinged door, locate the hinges (25) and fix the centre door. Slide the top and bottom roller onto the door, position, locate the hinges (26) and fix (27). Check the panel for parallel positioning and clearance with the tracks. Adjustment to the rollers may be required at this stage. Locate the hinges and rollers and attach the access door (28). The layout is slightly different for 10ft doors, but the installation method is the same. (See the 6ft, 8ft & 10ft plan layouts of these doors on page 7 of these instructions for more details)

## STAGE 8 - LOCATE THE CYLINDER AND HANDLE



Insert the key in the lock cylinder and turn it so that the lever lines up with the barrel (29), then locate through lock aperture in the door frame. Fix in place with the M5 x 35mm countersunk head screw provided (30). Insert the square profile lock operating bar into the upper square hole in the lock (31). Position the handles onto the door frame and secure to the door with the screws provided (32). Test the lock operation while the door is open. To lock the door push the handle upwards. This engages the dead-bolts. Turn the key away from the front/sliding panels to engage the final dead-bolt. To unlock the door from the inside, turn the key towards the folding/sliding panels and push the handle downwards to disengage the dead-bolts.

## STAGE 9 - SEAL THE DOORS AND FIT THE TRICKLE VENTS

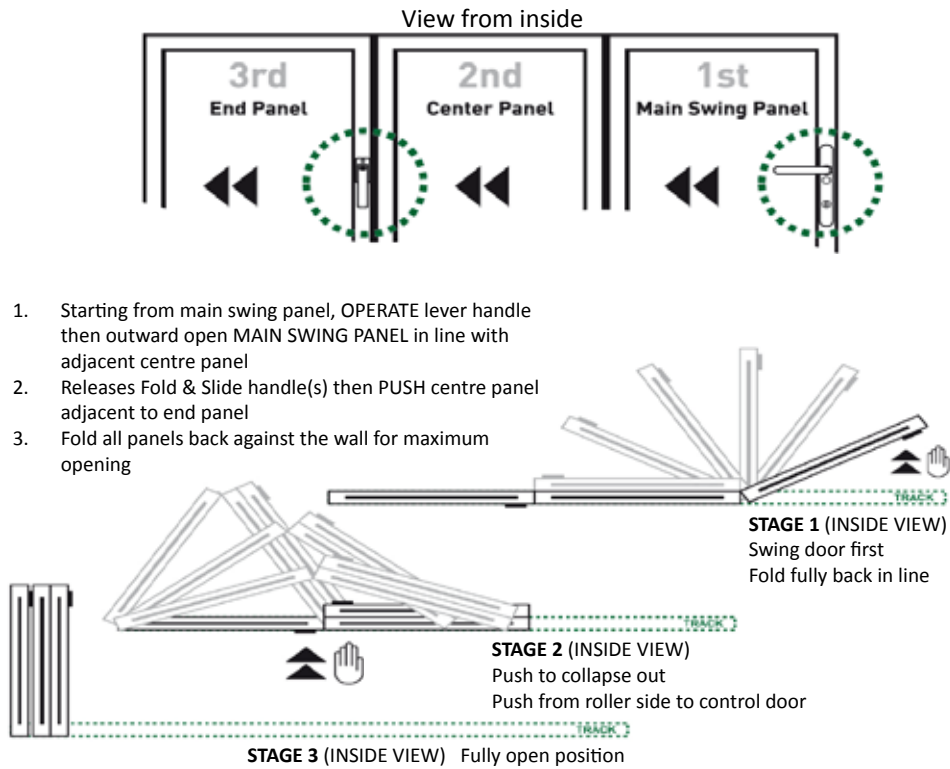


Fill gaps between masonry and frame: if the gaps are too wide a proprietary expanded PU filler or foam rod may be used, prior to finishing with a suitable grade of silicone sealant (33 & 34). Fix the inner vent controls to the inside of the frame using the larger self-tapping screws and screw cover caps provided (35). The vent controls may be fitted facing either upwards or downwards, depending on personal preference. Position the outer vent covers to the outside of the head over the pre-drilled slots and fix with the smaller self tapping screws (36).

# OPERATING INSTRUCTIONS

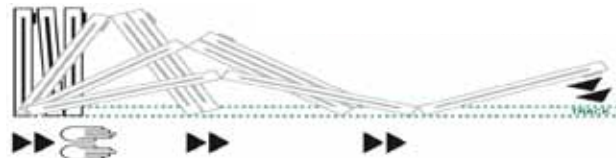
## How to operate your Fold & Slide Door

(right hand stacking outward opening) 'Important: Remove keys prior to folding open'



## How to close your Fold & Slide Door

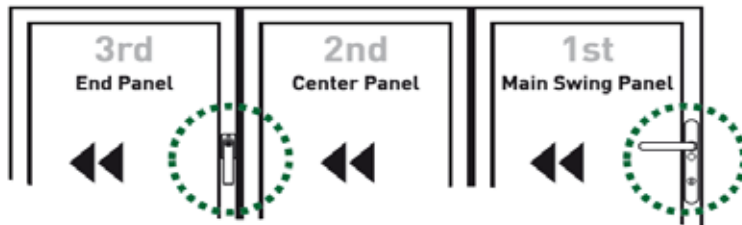
- Hold panels 2 & 3 and walk in the direction of the track
- The rollers are utilised giving a smooth closure to Fold & Slide Door
- Close and secure the end swing panel  
**LOCK BOTH LEVER HANDLE AND FLAT HANDLE**



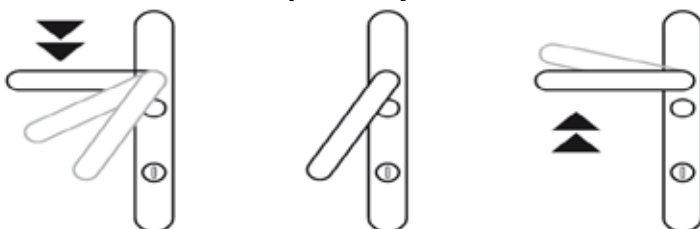
(right hand stacking outward opening)

Important: Remove keys prior to folding open

View from inside



## How to operate your lever handle

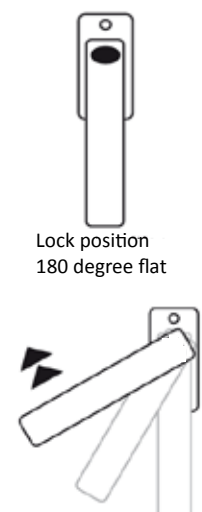


1. To open use key, depress handle to disengage locks.

2. To open keep handle depressed Push to outward open

3. Lock(ing) position Lift handle slightly to engage locks, use key

## How to operate your Fold & Slide handle



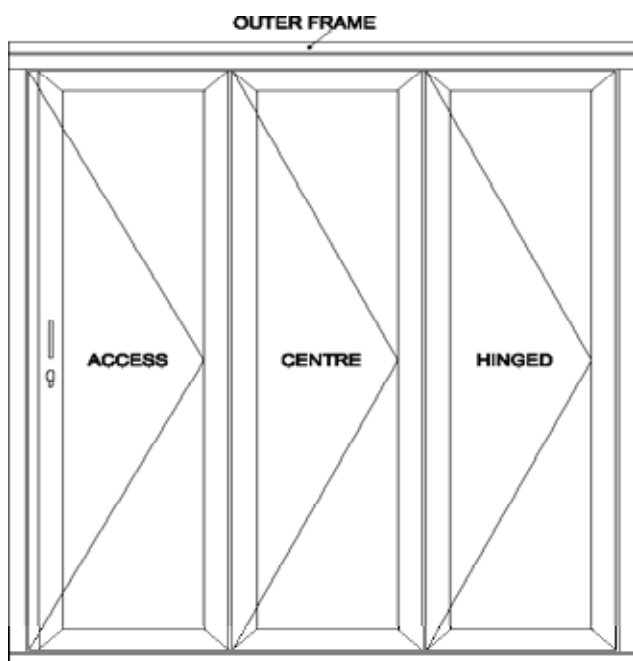
Turn handle anti-clockwise to disengage locks (45 degrees) and pull to open

## TOE AND HEELING THE GLASS UNITS

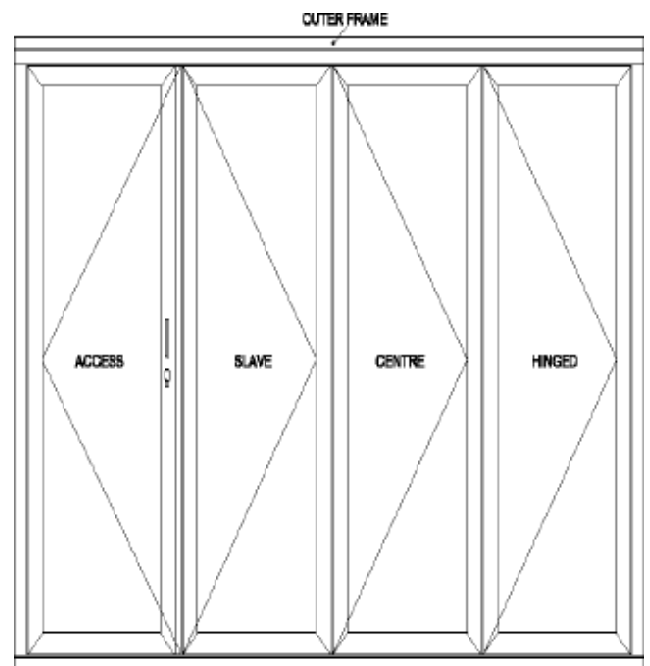


If the panels are out of line (dropping) the glass units may need to be toe and heeled to level them up. Set the packers for the glass as shown above. A packer must be placed on the bottom rail in the ● position. Insert the glass and pack the top in the ● position. Place packers on all four side corners of the glass.

## LAYOUT OF THE 6FT, 8FT & 10FT DOORS



6ft & 8ft Fold & Slide Doors



10ft Fold & Slide Doors

Where the lines drawn on each door touch together in the centre, this indicates the hinge side of that door.

## TROUBLE SHOOTING

### Trouble Shooting

Door is dragging on the bottom.	The panels may need toe and healing with more packers. The bottom track is not level or flat.
Door is dragging on the top.	The panels may be over toe and healed, remove packers. The top track is not level or flat.
Door is dragging on the top and bottom.	The tracks are not level or flat. The opening is too small for the door.
The panels at each side are not connecting when the door is closed.	Fix packers behind the jambs to bring the jambs in.
The panels at each side are catching when the door is closed.	Remove packers from behind the jambs. The opening is too small for the door.
There are gaps at the top and/or the bottom.	The tracks are not level or flat. The tracks are not parallel and sat on top of the jambs. The brush seals have not been fit to the panels or top track.

## CARE AND MAINTENANCE

When installation has been completed, initial cleaning down should take place:

- Remove any remaining protective tapes and clean off any residual mastic with white spirit, before washing down with a mild detergent mix
- The surfaces should be regularly cleaned with soap or mild detergent and water
- After cleaning, surfaces should be washed down with clean water and dried
- At suitable intervals during the service life of the door, the lock and hinges should be lightly oiled
- Ensure that the running tracks are kept as clean as possible at all times (i.e. no large stones etc. in the track)
- Every 4 - 5 months ensure that the tracks are sprayed with silicone spray to ensure smooth operation / running



The manufacturer's policy is one of continuous development and improvement and accordingly we reserve the right to change specifications without prior notice. The utmost care has been taken in the manufacture of the Fold & Slide Door to ensure that they give complete satisfaction. To the best of our knowledge this product was in perfect condition when it left the factory. Failure to follow the recommendations set out in these instructions or to install in a manner not approved by the manufacturer may result in all or part of the product guarantee being null and void. The manufacturer reserves the right to disallow claims once the assembly has been installed. This does not affect your statutory rights.

## CONTACT DETAILS

Ellbee Ltd

Grangefield Industrial Estate, Pudsey, West Yorkshire, LS28 6LF

T: 0113 224 8000

F: 0113 2362891

E: sales@ellbee.co.uk

w: www.ellbee.co.uk