

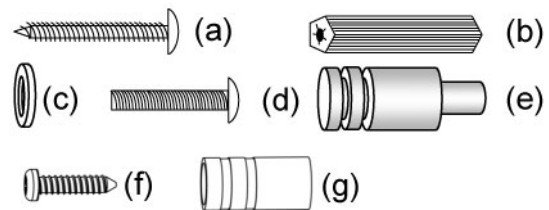
Thank you for purchasing this Croydex stainless steel cabinet. Please follow the fixing and care instructions to ensure your cabinet is fitted safely and retains its high quality finish. **Please retain this leaflet for future reference.**

This instruction leaflet applies to the following products:

WC736005 Anton Single Door Std SS Cabinet
 WC746005 Colorado Single Door Lrg SS Cabinet
 WC756105 Anton Double Door Std SS Cabinet
 WC776105 Colorado Double Door Lrg SS Cabinet
 WC766105 Avisio Double Door Corner SS Cabinet
 WC796005 Nile Tall SS Cabinet
 WC826005 Tara Single Door Sliding SS Cabinet
 WC836005 Severn Circular Mirror SS Cabinet
 WC846005 Trent Lockable SS Medicine Cabinet
 WC856005 Avon Single Door Small SS Cabinet
 WC866105 Avon Double Door Small SS Cabinet

Fixing Pack Contents

- (a) Mounting Screws
- (b) Wall Plugs
- (c) Plastic Washers
- (d) Face Mounting Door Knob Screws
- (e) Face Mounting Door Knobs
- (f) Edge Mounting Door Knob Screws
- (g) Edge Mounting Door Knobs



Fixing pack contents will vary depending on the individual design of the cabinet.

Tools Required

Drill; 6.5mm masonry drill bit (6.5mm ceramic drill bit optional); Cross-point screwdriver; Pencil; Spirit level

KEEP DIY TOOLS OUT OF THE REACH OF CHILDREN

Home Safety Advice

It is recommended that two people fit the cabinet to ensure that it is fitted safely.

Always take care when using an electric drill, particularly in the bathroom. Always check for hidden cables and pipe work before drilling and take extreme care if there is any water in the working area.

It is advisable to use a residual current circuit breaker (RCCB).

Always wear suitable eye protection when drilling.

If the product is to be fitted on a ceramic tiled wall, a ceramic drill bit should be used. Always ensure that the drill hole passes through the central tiled area rather than through the grouted area. To prevent unnecessary damage to the tile, mask the area around the hole with tape before drilling.

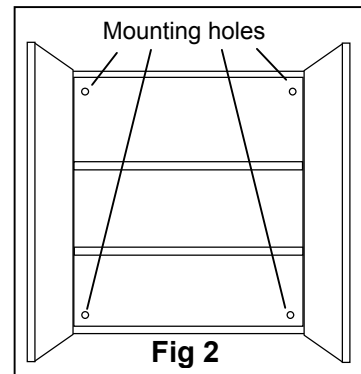
Do not strike the product with hard or sharp objects. Do not place hot objects against the glass surfaces

Do not overload the cabinet. Maximum safe working load is 10kg evenly distributed if mounted on to a solid wall. If mounted on to a cavity wall reduce the load to 5kg evenly distributed.

Note: The wall plugs supplied are for use on solid walls only. For cavity walls or plasterboard use specialist fixings that are available from all good DIY stores.

Fixing Instructions

1. Hold the cabinet against the wall in its desired location. Check that the cabinet is straight and level using a spirit level. Open the doors and mark the wall through the holes in the back of the cabinet with a pencil (see Fig 2).
2. Using a 6.5mm masonry drill, drill the holes in the marked positions to a depth of 35mm and insert the wall plugs into the holes in the wall.
3. Hold the cabinet against the wall and align the holes in the back of the cabinet with the wall plugs - make sure the pre-drilled door knob locating holes, on the bottom edge of the doors, are pointing downwards. Insert the mounting screws through the holes in the back of the cabinet and screw into the wall plugs.



4. For handles positioned on the front of the cabinet use the face mounting door knobs. Place a plastic washer over the end of each door knob and insert the end of each door knob into the holes on the mirrored side of the doors or front face of the drawer units. Secure the door knobs in place using the door knob screws – DO NOT over-tighten the screws (see Fig 3).
5. For handles positioned on the bottom edge of the doors use the edge mounting door knobs. Insert the screw into the bottom of the handle and screw into the pre-drilled hole of the door frame -DO NOT over-tighten the screws (see fig 4).

Product Care Advice

To retain the best quality finish, clean product regularly with a soft damp cloth.
Do not use abrasive or chemical cleaners, as these will damage the product.

For details of the other items in the Croydex range please visit our website: www.croydex.com

Please retain this leaflet for future reference.

Croydex Limited, Central Way, Andover, Hants, SP10 5AW, UK
Tel: +44 (0) 1264 365881. Fax: +44 (0) 1264 356437
Website: www.croydex.com E-mail: info@croydex.co.uk