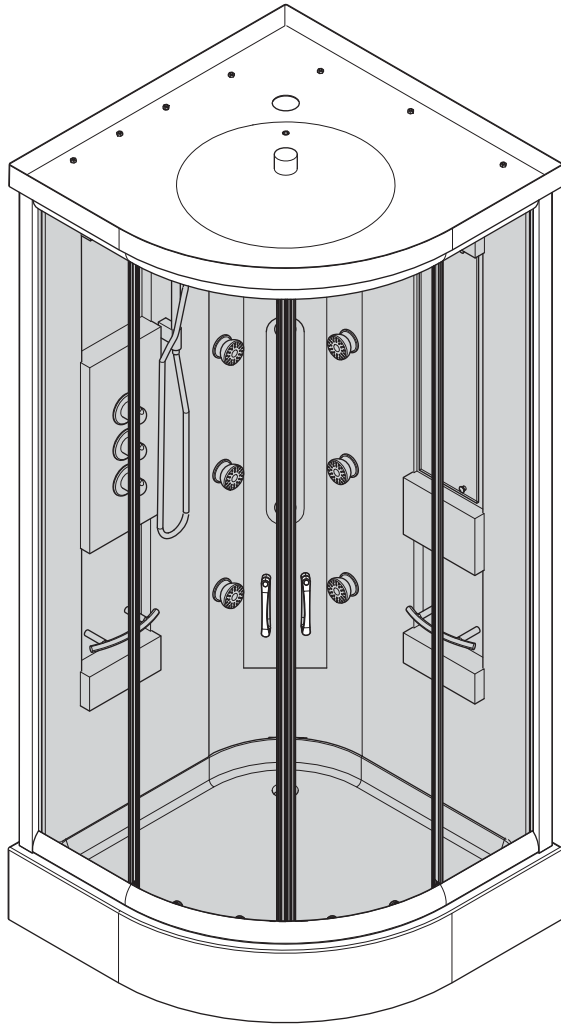


IN00333 (rev C)

Quadrant Shower Cabin with Monsoon Head



Before You Start: General

- Unpack and check the product is complete and undamaged.
- **WARNING:** Shower tray is fragile, **HANDLE WITH CARE**. The shower tray should be protected by cardboard, cloth or other similar soft material whilst work is in progress.
- Ensure the area is clean, dry and dust free.
- Have the correct tools available (see 'Tools Required').
- Read the instructions in full.

Before You Start: Plumbing

- Please ensure the installation is carried out by a competent plumber and to the relevant building regulations.
- The unit is freestanding and must be fitted so that it can be withdrawn from the wall for servicing, free of obstructions in the room and with adequate working space behind. It must not be sealed to the wall. We advise that any floor covering extends fully underneath the unit so as not to snag the feet when it is moved out. The two hot and cold water connections need to be made with ½" flexible hoses having an appropriate amount of free length.
- It is recommended that a water filter is used on the main domestic supply input, to prevent clogging of the unit, and that the hot and cold feeds each have isolating valves nearby for ease of supply disconnection when servicing.
- The product requires a supply pressure of 1.5 – 3 bar and a capability to deliver 9-11 litres a minute for good performance. A twin negative head pump is ideal to improve performance if required, but a pump must not be used with a combination boiler. We advise that you contact a competent plumber to discuss pressure, flow rate and pump requirements.
- Thoroughly check all water connections on the rear of the cabin and the waste trap for any leakage prior to pushing the unit back against the wall.

Installation

- Once product installation has commenced the manufacturer can take no responsibility for damage to the product.
- It is important to ensure that the shower tray is correctly levelled and fully supported by the adjustable feet at the start of the fit.


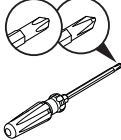
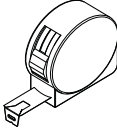
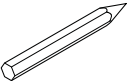
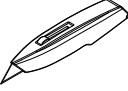

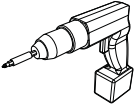

Safety

- Handle all glass with care - support on cardboard to avoid risk of breakage.
- This product is heavy and requires 2 people to carry and install it.
- All glass is toughened – it cannot be reworked or replaced by ordinary glass.
- Use safety eyewear when drilling.
- Use safety eyewear when handling glass.
- Keep all small parts away from children.

Disclaimer

- Please notify the retailer immediately of any damage or faults. The manufacturer cannot be held responsible for any installation costs that may arise from damaged or faulty product being installed.
- Please dispose of all packaging with due regard to the environment.
- Clean the tray with soapy water using a soft, bristle brush for the crevices, then rinse and dry. Finish off with a soft clean towel. Avoid all abrasives and harsh detergents.

Tools Required (not supplied)

<p>Spirit Level</p> 	<p>Screwdriver</p> 	<p>Tape Measure</p> 	<p>Pencil</p> 	<p>Utility Knife</p> 
<p>Silicone Gun & Sealant</p> 	<p>Power Drill</p> 	<p>Suitable Drill Bits</p>  <p>3mm dia. HSS</p>		



Help Line: 0870 241 6131

Lines open: 8.30am - 5.00pm Monday to Friday
Standard National call charge rate from BT landlines

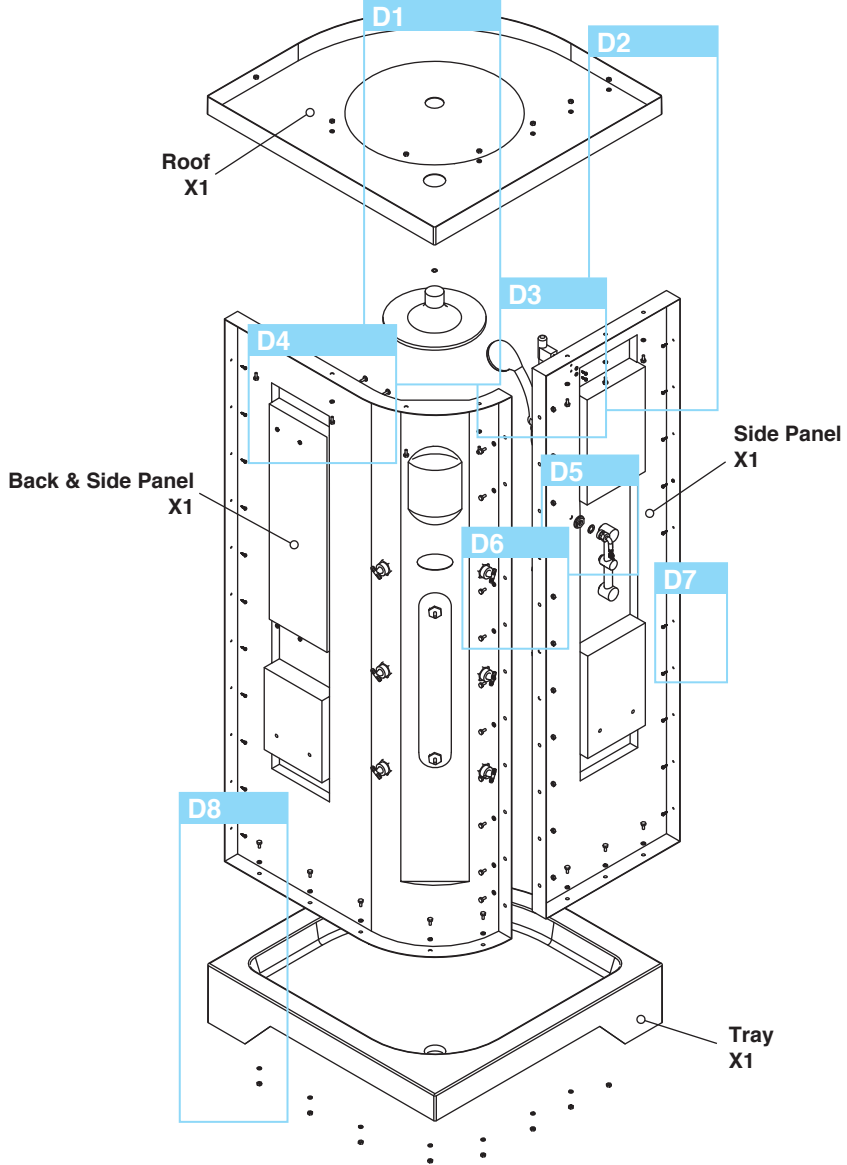
Parts & Fittings Supplied



Keep small parts away from children



Please notify the retailer immediately of any damage or faults. The manufacturer cannot be held responsible for any installation costs that may arise from a damaged or faulty product being installed.



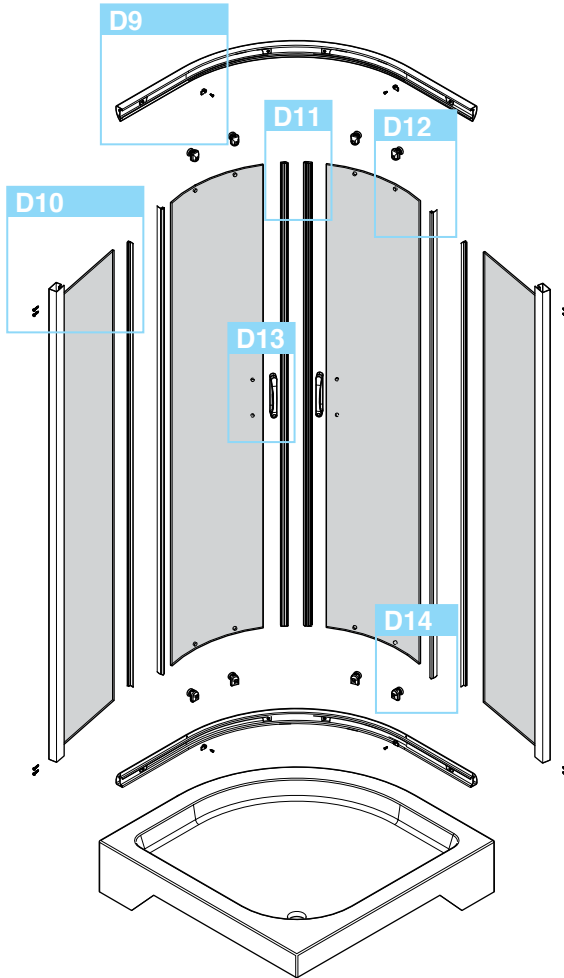
Parts & Fittings Supplied



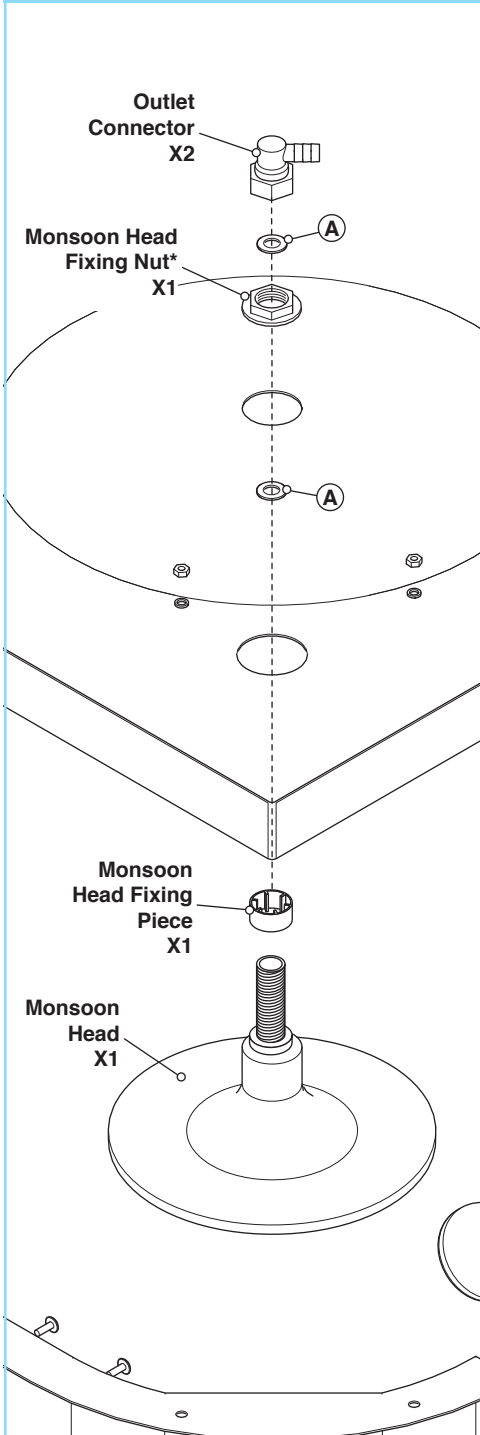
Keep small parts away from children



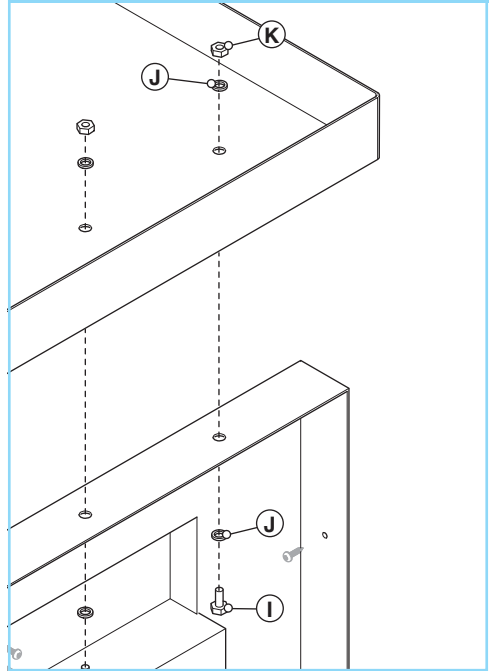
Please notify the retailer immediately of any damage or faults. The manufacturer cannot be held responsible for any installation costs that may arise from a damaged or faulty product being installed.



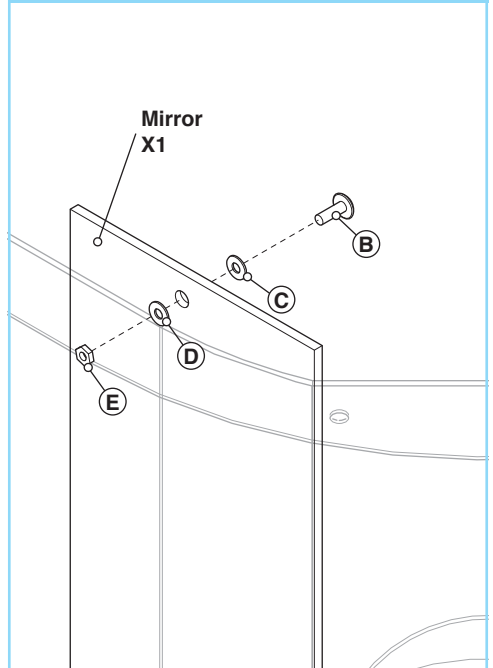
D1



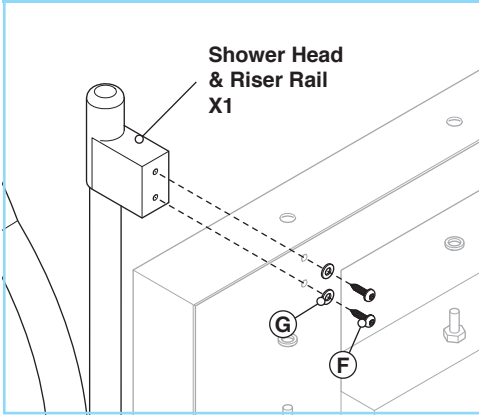
D2



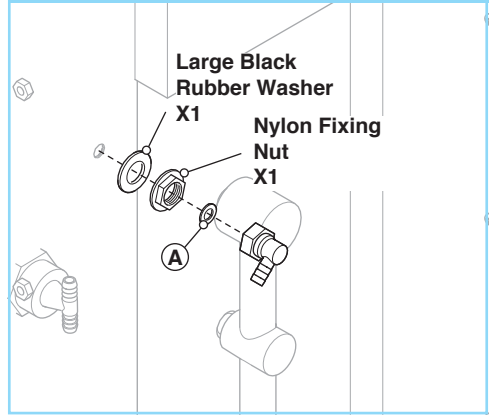
D3



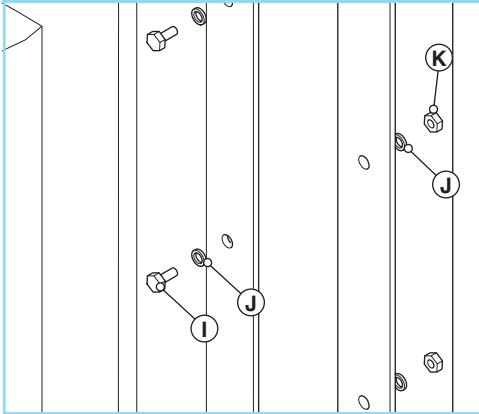
D4



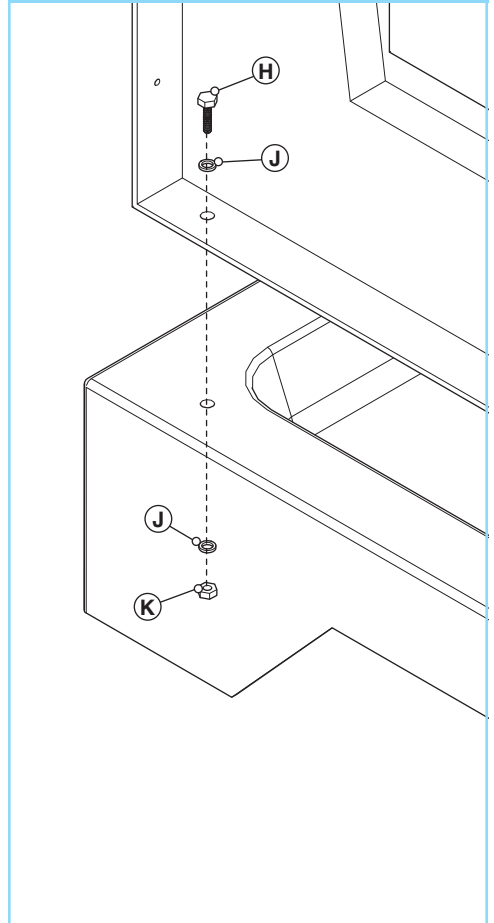
D5



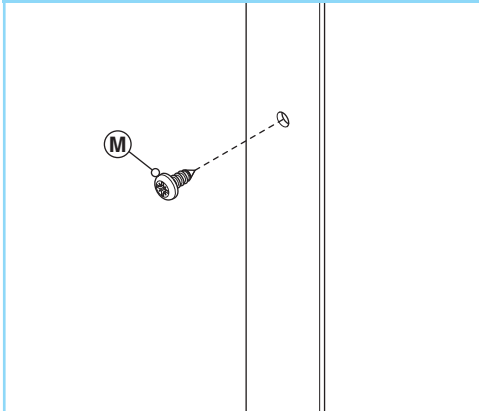
D6



D8



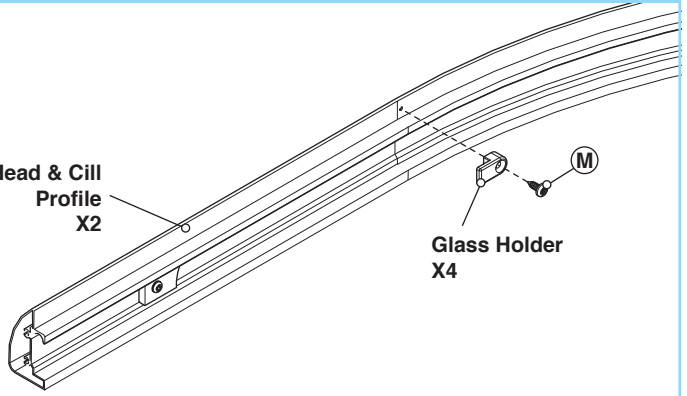
D7



D9

Head & Cill
Profile
X2

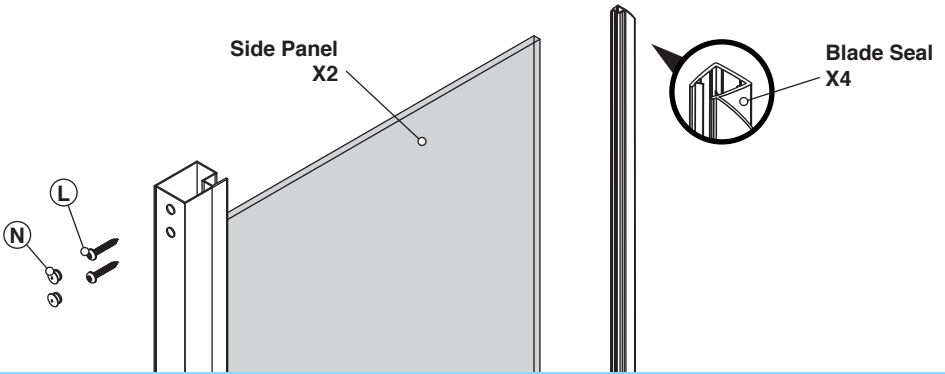
Glass Holder
X4



D10

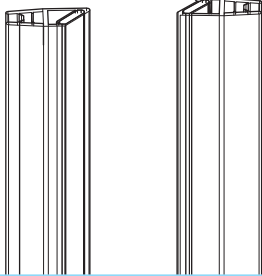
Side Panel
X2

Blade Seal
X4



D11

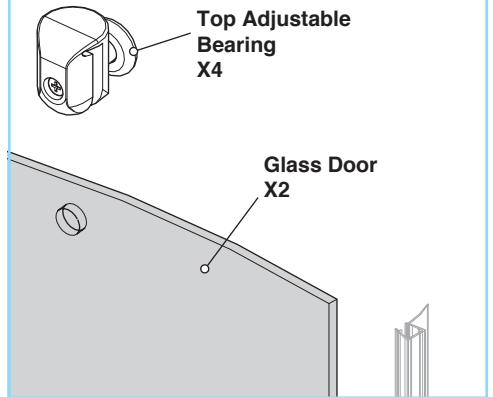
Magnet Seal
X2



D12

Top Adjustable
Bearing
X4

Glass Door
X2



D13



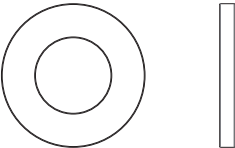
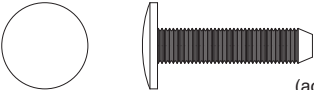




Handle Assembly X2

D14

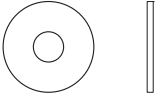
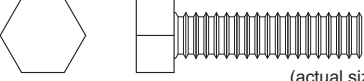
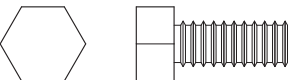


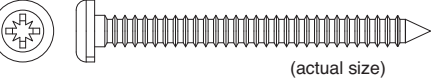




Bottom Spring Loaded Bearing X4

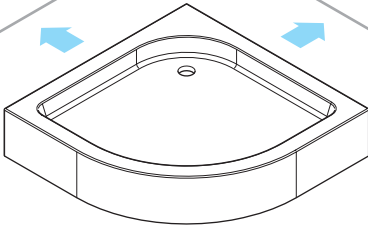
Loose Screws & Fittings Supplied

<p>(A)</p>	<p>Blue Rubber Washer</p>	 <p>(actual size)</p>	<p>Qty</p> <p>x4</p>
<p>(B)</p>	<p>M5 Dome Head Machine Screw</p>	 <p>(actual size)</p>	<p>Qty</p> <p>x2</p>
<p>(C)</p>	<p>Mirror Rubber Gasket</p>	 <p>(actual size)</p>	<p>Qty</p> <p>x2</p>
<p>(D)</p>	<p>Mirror Washer</p>	 <p>(actual size)</p>	<p>Qty</p> <p>x2</p>
<p>(E)</p>	<p>M5 Nut</p>	 <p>(actual size)</p>	<p>Qty</p> <p>x2</p>
<p>(F)</p>	<p>No.8 x 5/8" Pan Head Pozi Screws</p>	 <p>(actual size)</p>	<p>Qty</p> <p>x2</p>

Loose Screws & Fittings Supplied

G	Washer		(actual size)	Qty
				x2
H	M6 x 25mm Machine Screws		(actual size)	Qty
				x8
I	M6 x 15mm Machine Screws		(actual size)	Qty
				x18
J	M6 Washer		(actual size)	Qty
				x52
K	M6 Nut		(actual size)	Qty
				x26
L	No.8 x 1 3/4" Pan Head Pozi Screws		(actual size)	Qty
				x8
M	No.6 x 3/8" Pan Head Pozi Screws		(actual size)	Qty
				x26
N	Stile Hole Stopper		(actual size)	Qty
				x8

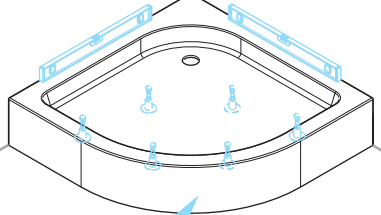
1



! Position Tray, DO NOT fix at this stage.

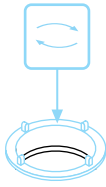
2

! Ensure Tray is level adjust to suit.



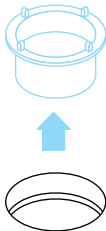
**Underside View:
Leg Adjustment**

i)



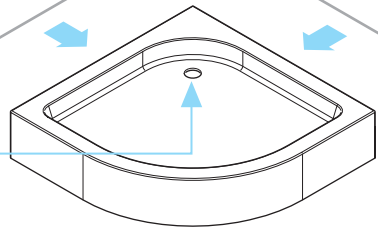
Twist to loosen base

ii)

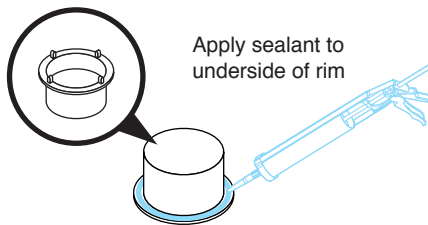


Remove base

3.1

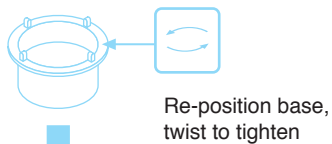


i)

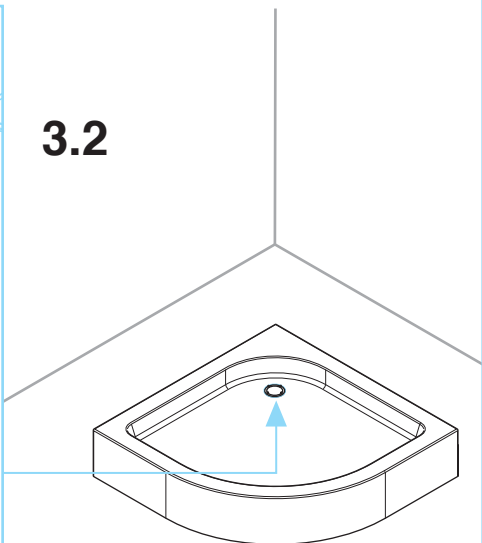


3.2

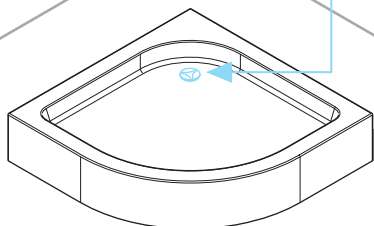
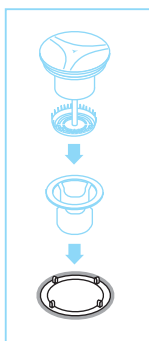
ii)



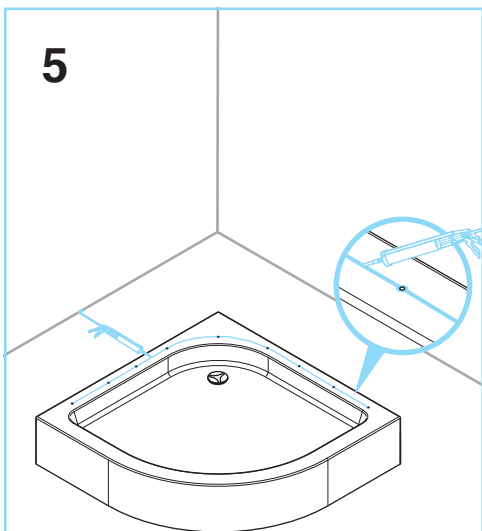
iii)



4



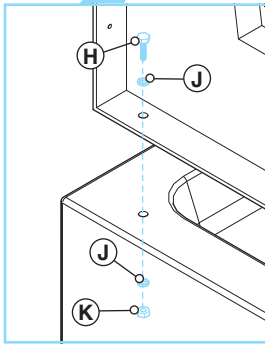
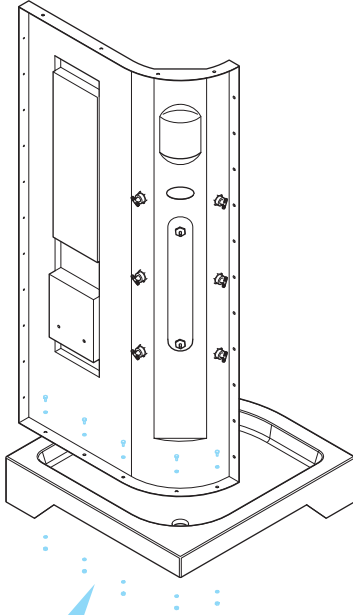
5



Apply Silicone Sealant (not supplied), joining between and around pre-drilled Tray holes. Ensure all holes are utilised.

Inside View

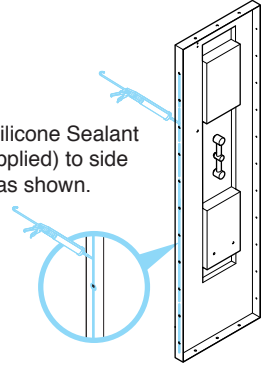
6



Ensure all horizontal fixing holes are utilised.

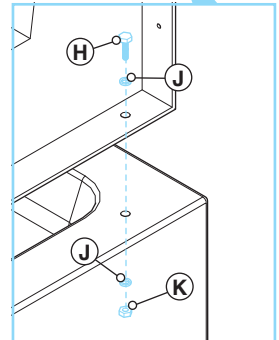
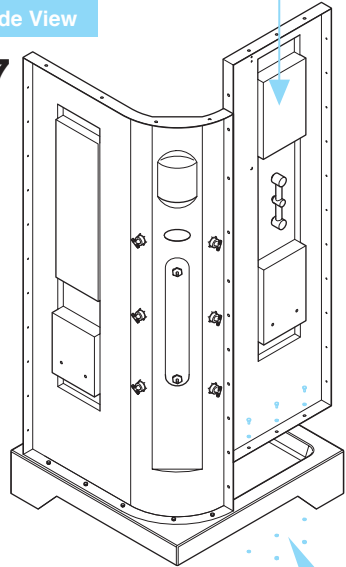
Side Panel Preparation: Inside View

Apply Silicone Sealant (not Supplied) to side panels as shown.



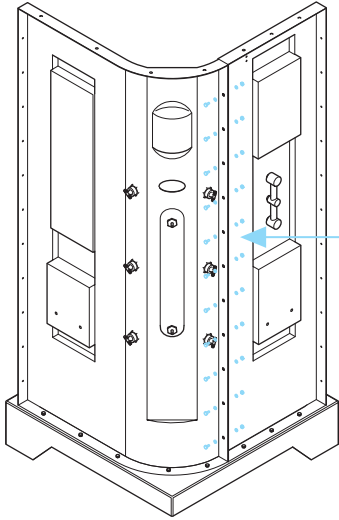
Inside View

7



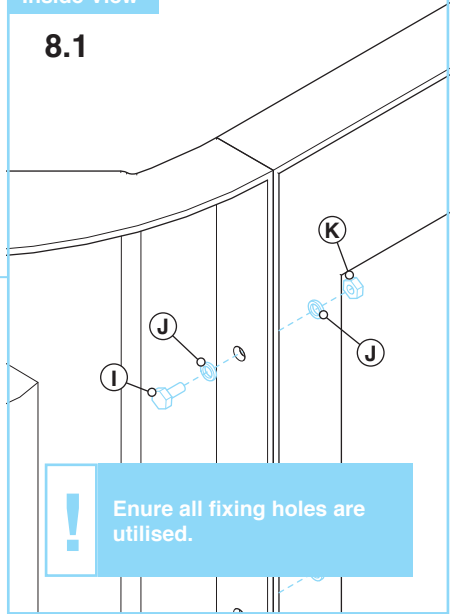
Inside View

8

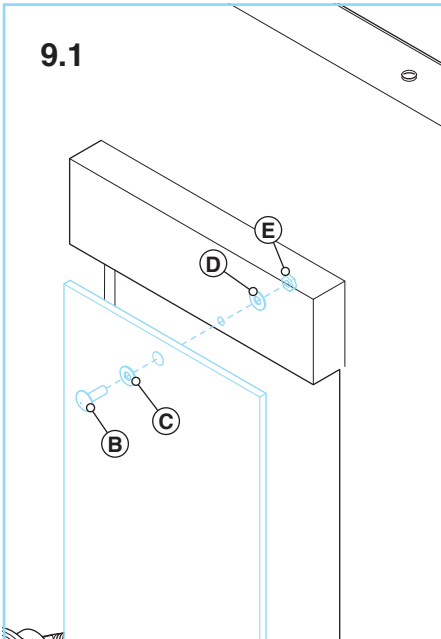


Inside View

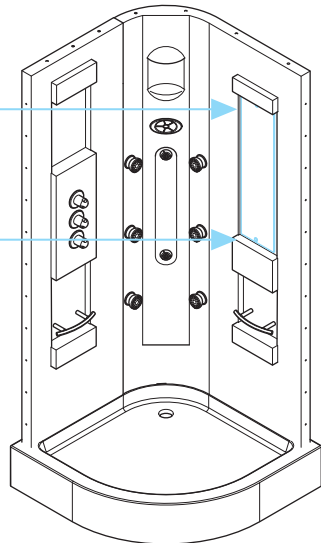
8.1



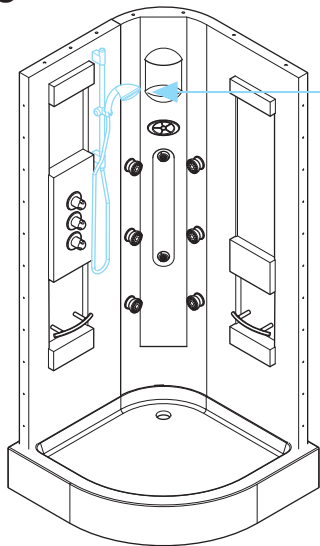
9.1



9



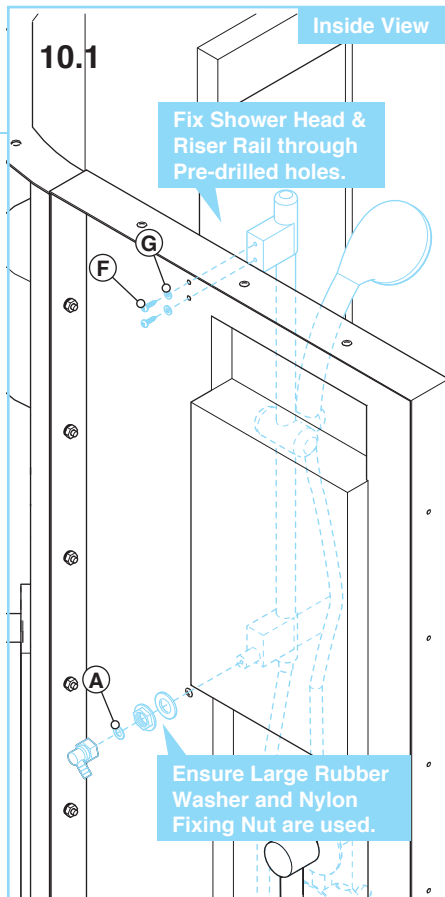
10



10.1

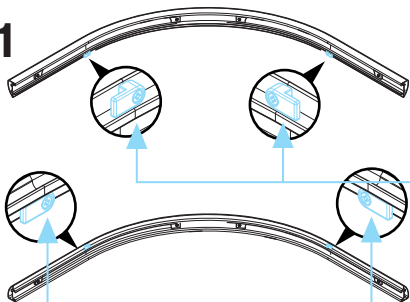
Inside View

Fix Shower Head & Riser Rail through Pre-drilled holes.



Inside View

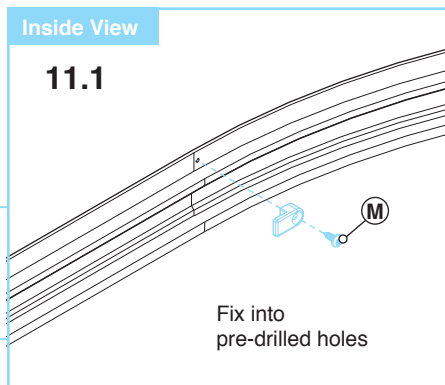
11



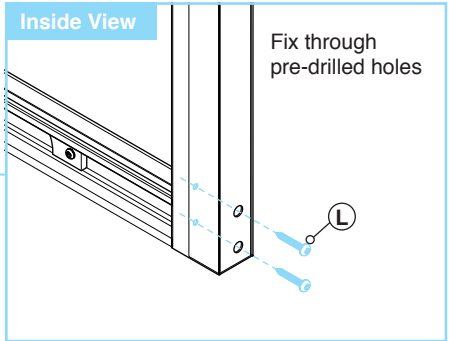
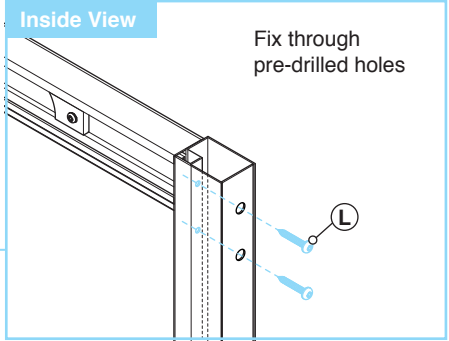
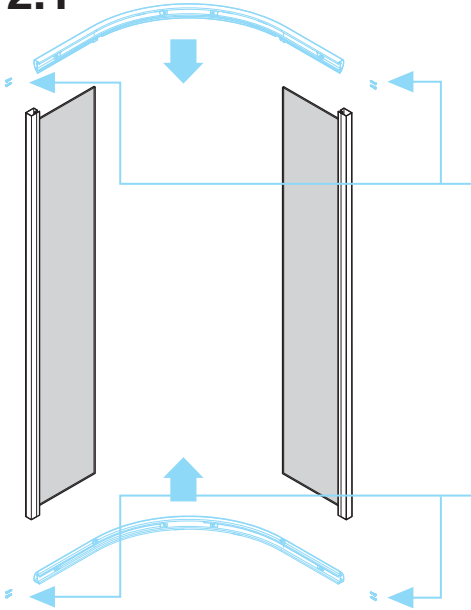
Inside View

11.1

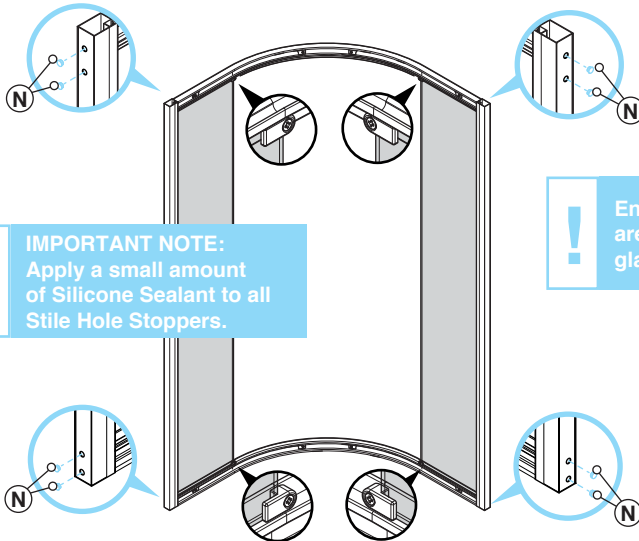
Fix into pre-drilled holes



12.1



12.2

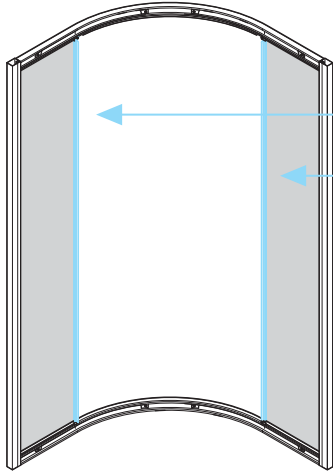


IMPORTANT NOTE:
Apply a small amount of Silicone Sealant to all Stile Hole Stoppers.

! Ensure Glass Side Panels are located into pre-fitted glass holders as shown.

Inside View

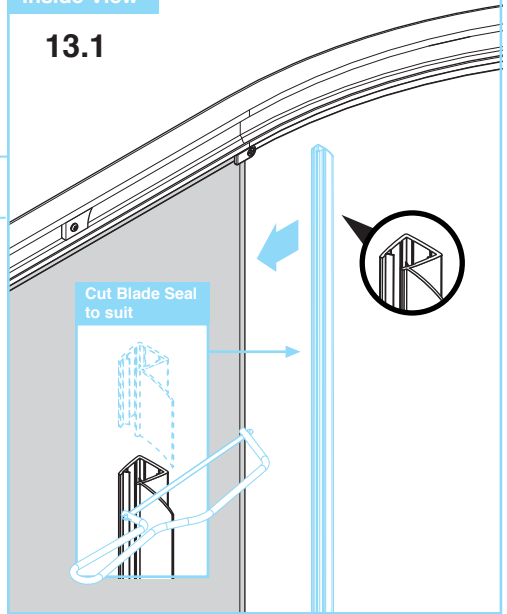
13



Blade Seal supplied oversized, cut length to suit.

Inside View

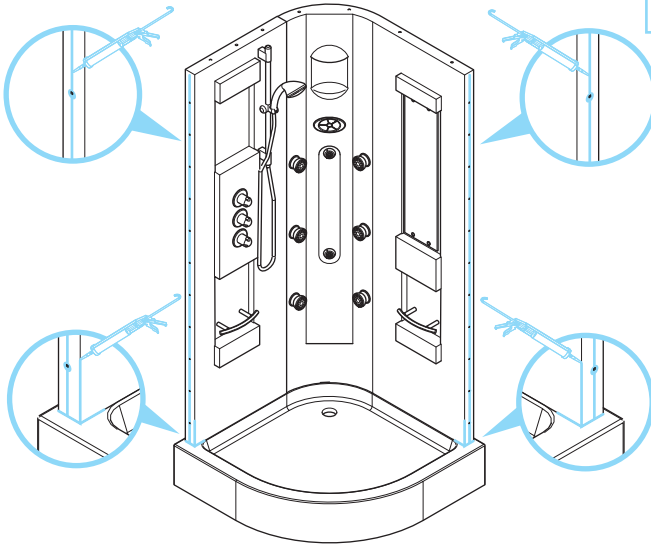
13.1



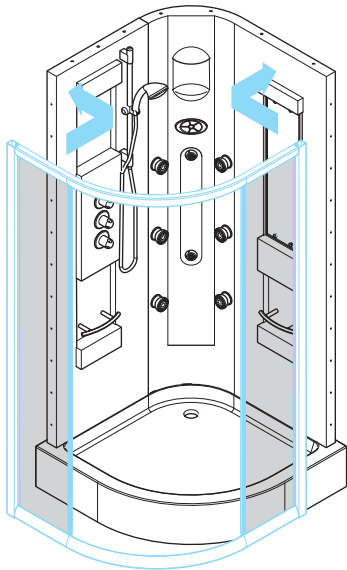
14



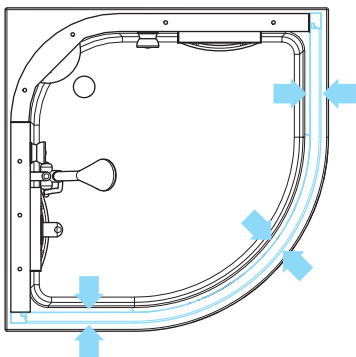
Apply Silicone Sealant, (not supplied), as shown.



15



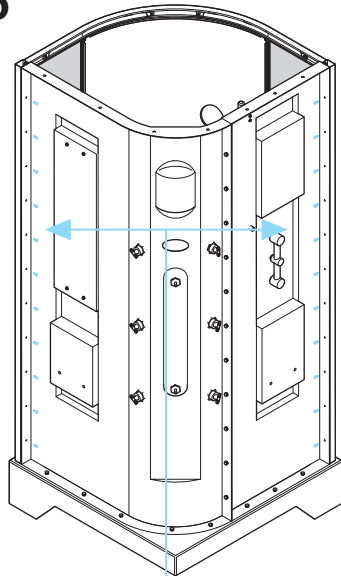
Plan View



IMPORTANT NOTE:
Ensure radius of frame matches tray.

Inside View

16



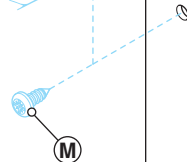
Inside View

*Drill 3mm dia. holes through pre-drilled holes using a HSS drill bit.

16.1*

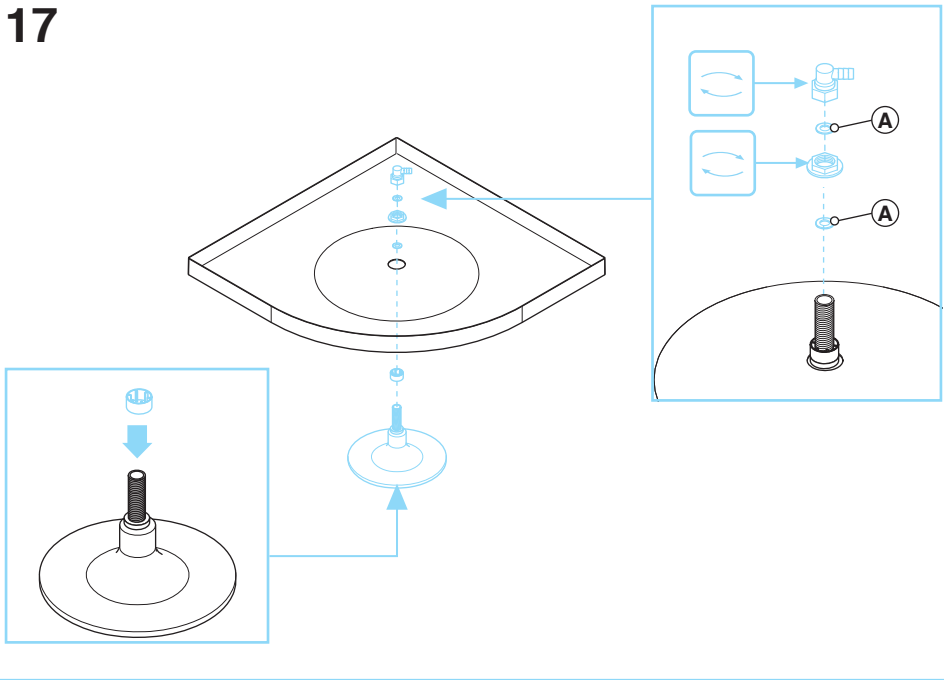


16.2



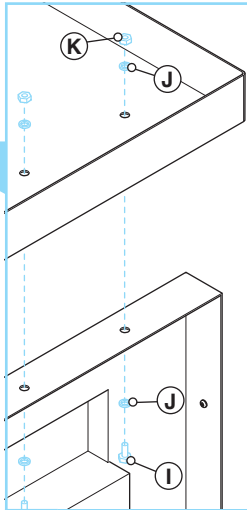
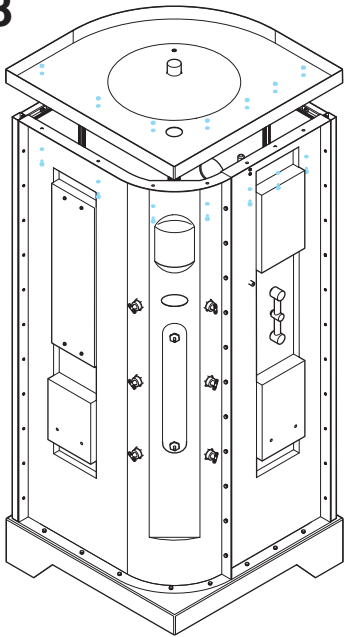
Ensure all fixing holes are utilised.

17



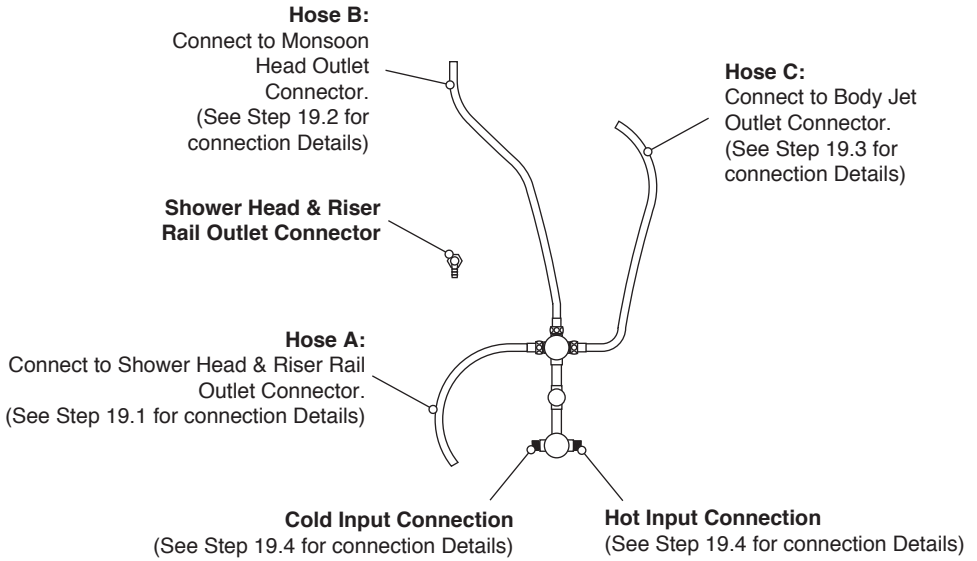
Inside View

18

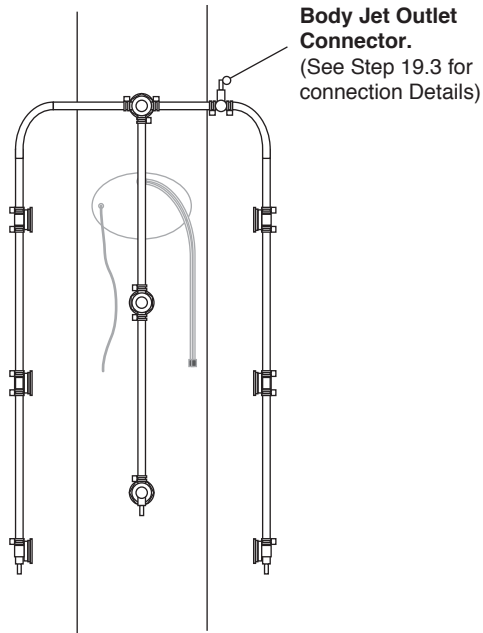


 Enure all fixing holes are utilised.

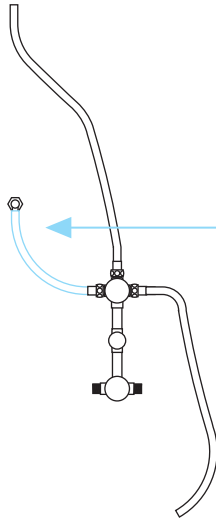
Diverter Valve Elevation: Appendix



Body Jet Valves Elevation: Appendix



19.1



Connection to Shower Head & Riser Rail: Inside, Underside View

i)

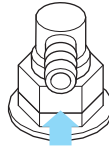


Position Fixing Tie* onto 'Hose A'.

*Please Note:
Fixing Tie is supplied loose.



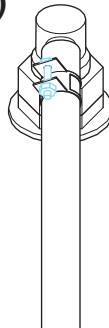
ii)



Connect 'Hose A'
to Outlet Connector
for Shower Head &
Riser Rail.



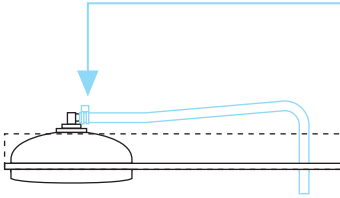
iii)



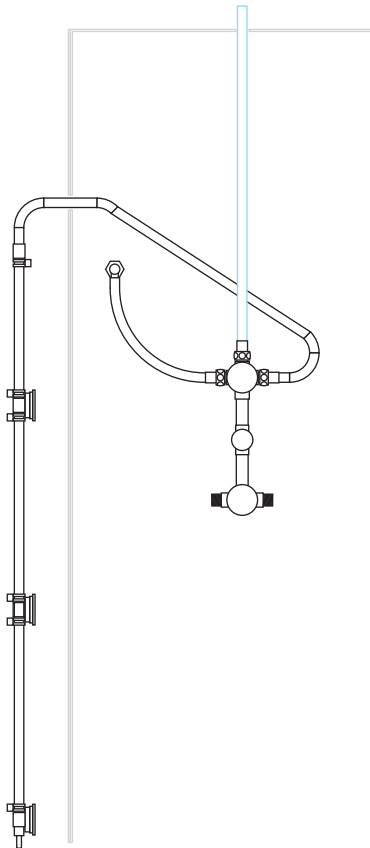
Secure 'Hose A'
into position by
tightening fixing tie.

19.2


Roof Side View
Elevation



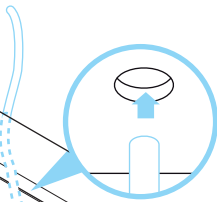
Diverter Valve
Elevation




Connection to Monsoon Head:
Inside, Underside View

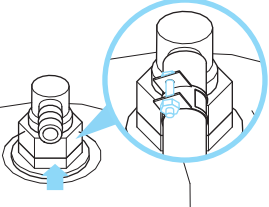
i)  Remove Fixing Tie from 'Hose B'.



ii)  Thread 'Hose B' through hole in Roof, as shown.


iii)  Re-position Fixing Tie onto 'Hose B'.



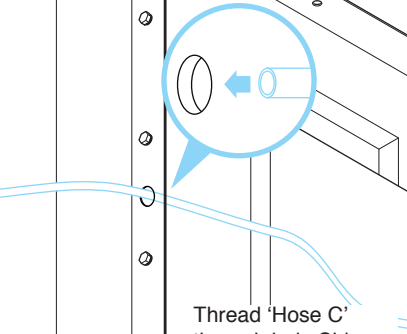
iv)  Connect 'Hose B' to Outlet Connector for Monsoon Roof. Tighten Fixing Tie into position.



Connection to Body Jet Valves:
Inside, Underside View

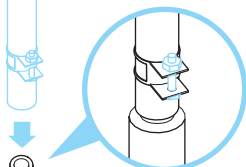
i)  Remove Fixing Tie from 'Hose C'.



ii)  Thread 'Hose C' through hole Side and Back & Side Panels, as shown.

iii)  Re-position Fixing Tie onto 'Hose C'.

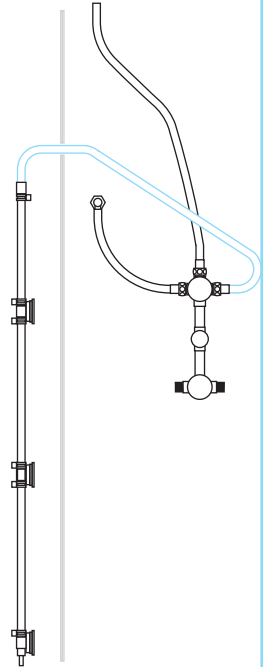


iv)  Connect 'Hose C' to Outlet Connector for Body Jets and tighten Fixing Tie.

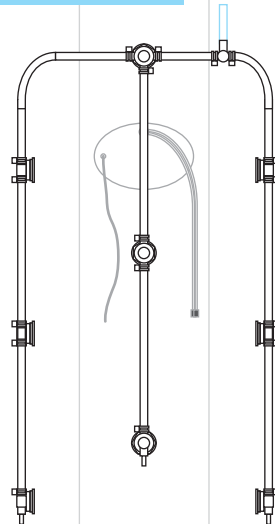


19.4

Diverter Valve Elevation

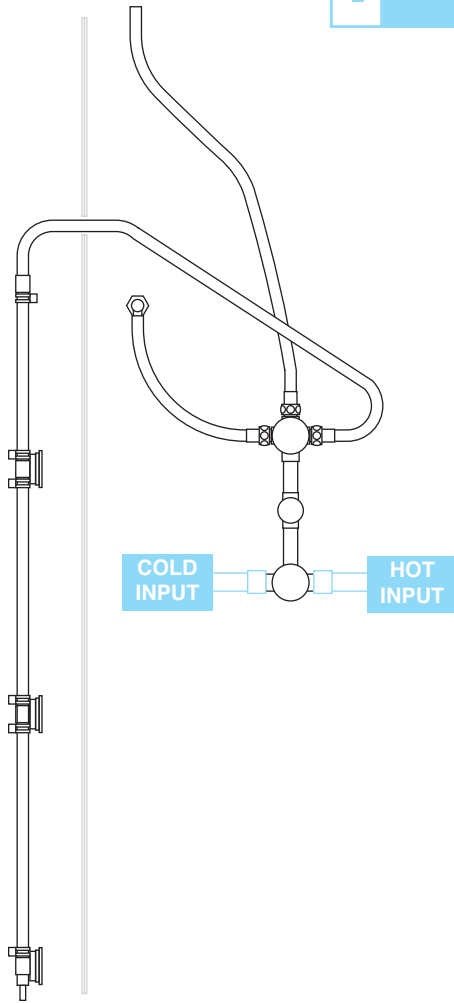


Body Jet Valves Elevation

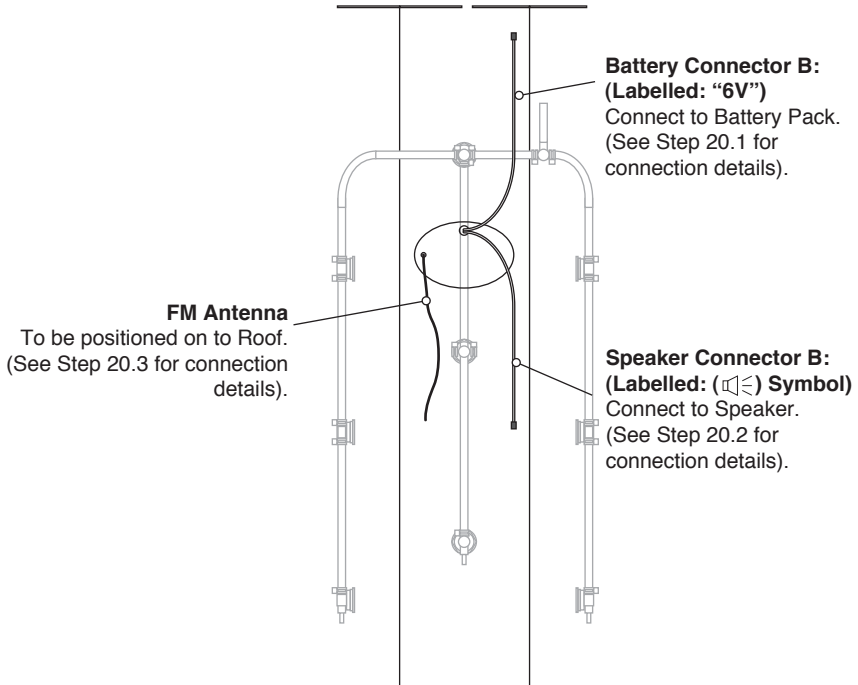


19.4

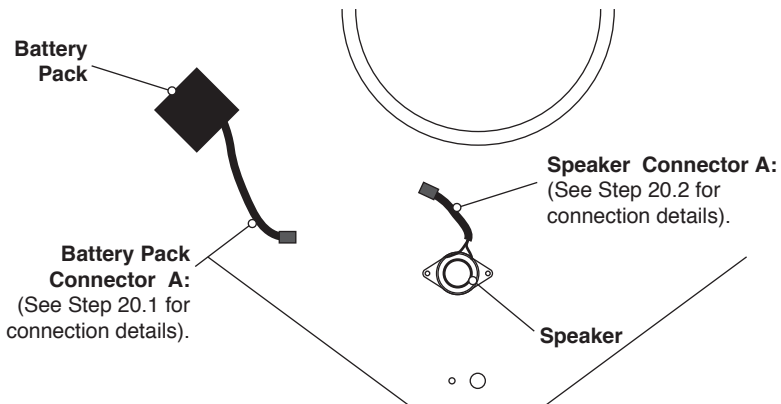
! Refer to page 2 of this document;
“Before you Start: Plumbing”.



Electrical Connections Elevation: Appendix



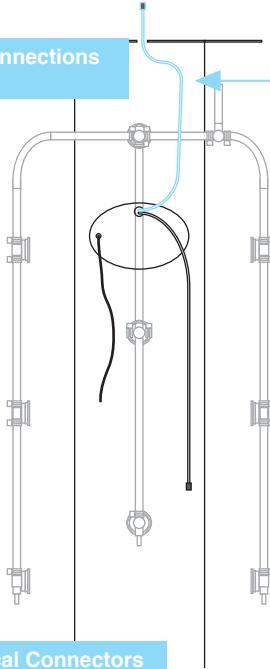
Roof Electrical Connectors Plan View: Appendix



20.1

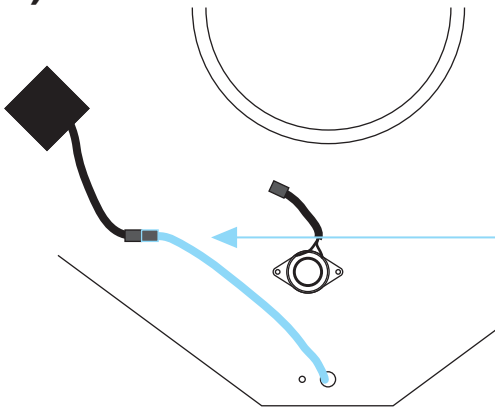
Electrical Connections
Elevation

i)



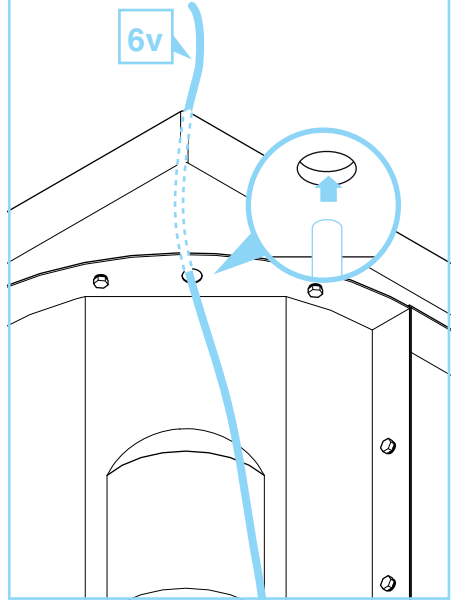
Roof Electrical Connectors
Plan View

ii)

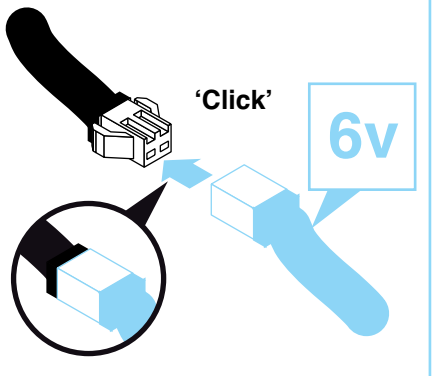


Connection to Battery Pack:
Inside, Underside View

Thread 'Battery Connector B'
through hole in Roof, as shown.



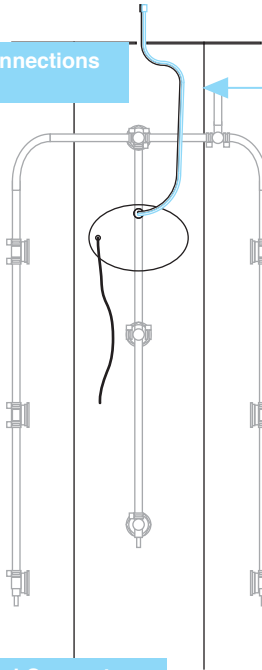
Connection to Battery Pack:
Inside, Top View



20.2

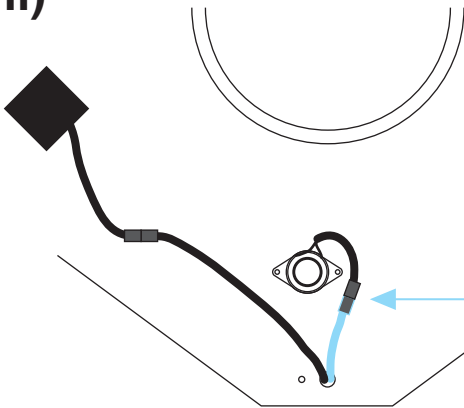
Electrical Connections
Elevation

i)



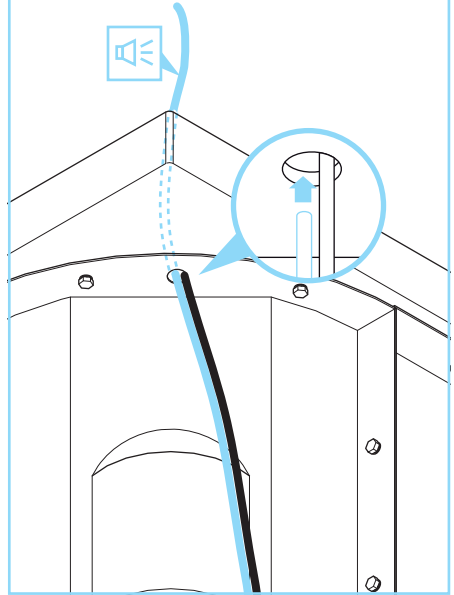
Roof Electrical Connectors
Plan View

ii)

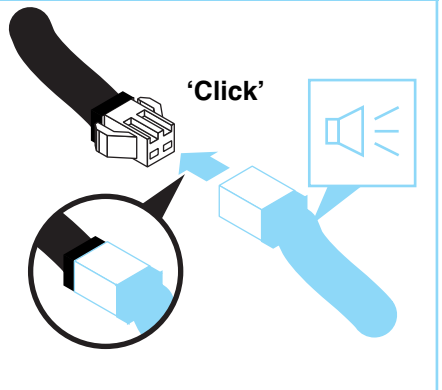


Connection to Speaker:
Inside, Underside View

Thread 'Speaker Connector B'
through hole in Roof, as shown.



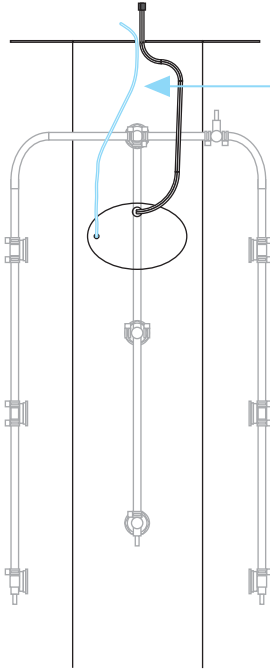
Connection to Speaker:
Inside, Top View



20.3

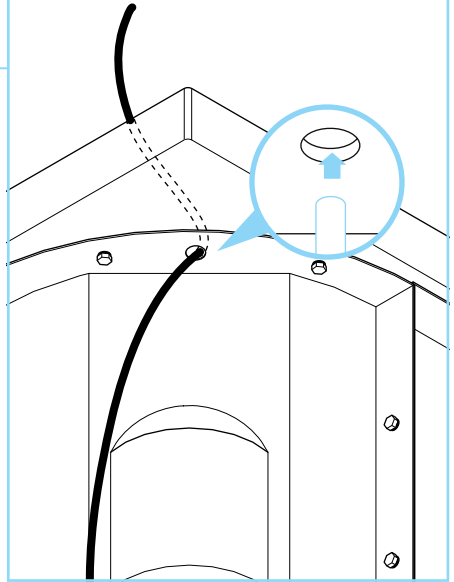
Electrical Connections Elevation

i)



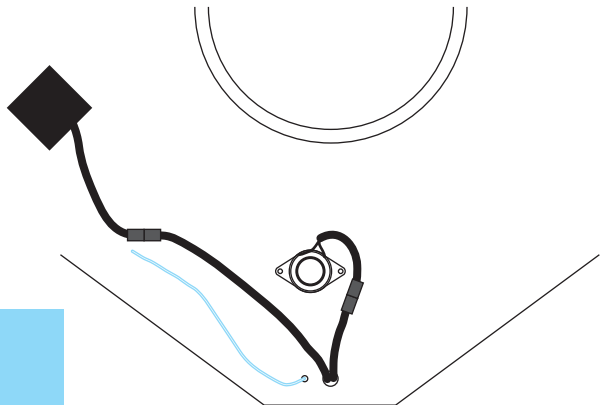
Position FM Antenna: Inside, Underside View

Thread 'FM Antenna' through
hole in Roof, as shown.



Roof Electrical Connectors Plan View

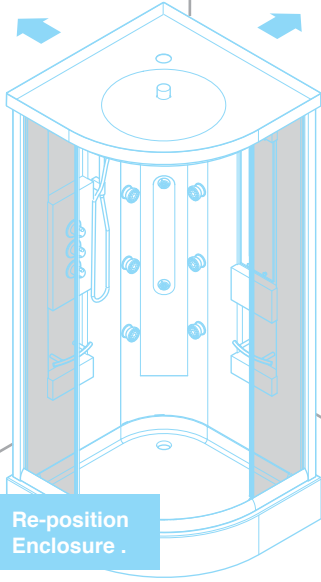
ii)



FM Antenna position
can be adjusted to
help achieve the best
reception.

Inside View

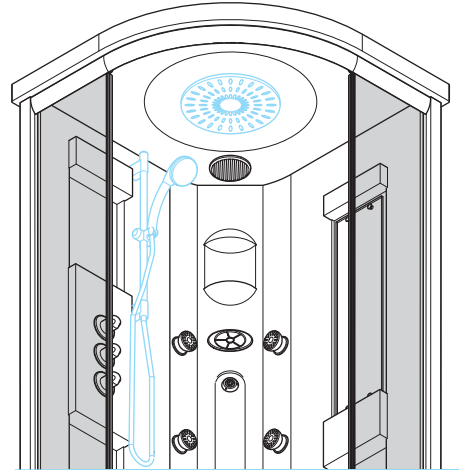
21



Re-position
Enclosure .

Inside View

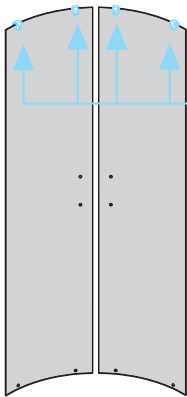
22



Conduct suitable water test at
this stage, refer to page 2 of this
document; "Before you start:
Plumbing".

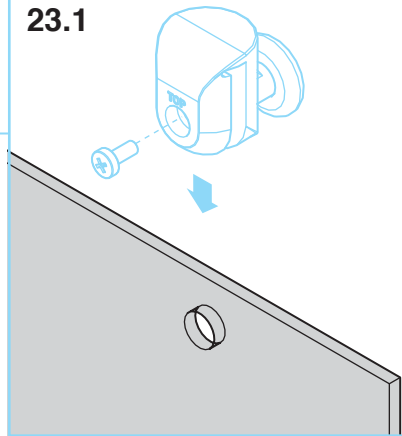
Inside View

23



Inside View

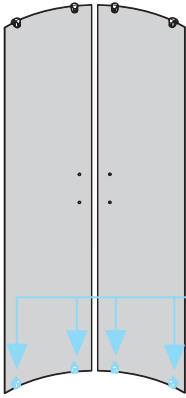
23.1



Please Note: Top adjustable
Bearing and Bottom Spring Loaded
Bearing variations. Use TOP
ADJUSTABLE BEARING only.

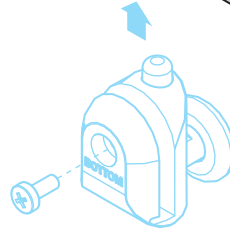
Inside View

24



Inside View

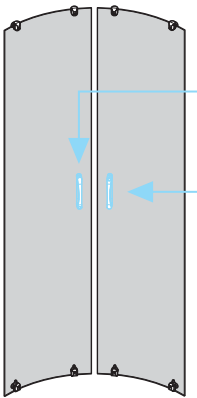
24.1



Please Note: Bottom Spring Loaded Bearing and Top adjustable Bearing variations. Use **BOTTOM SPRING LOADED BEARING** only.

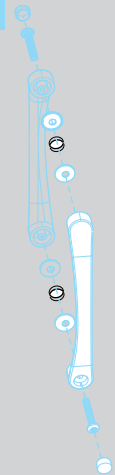
Inside View

25



Inside View

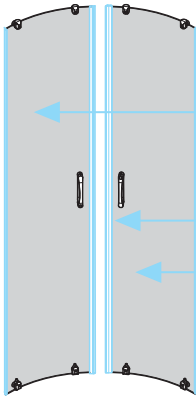
25.1



Please Note: Door Handles are supplied part assembled. Disassemble as appropriate and then re-assemble as shown. **DO NOT** overtighten.

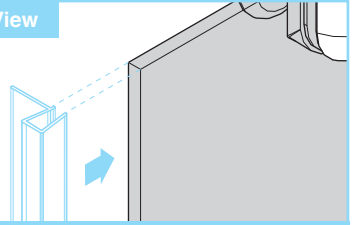
Inside View

26



Inside View

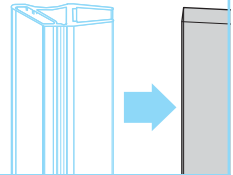
26.1



* Tip:
Push fit Door Blade Seal, start at the bottom and work up.

Inside View

26.2



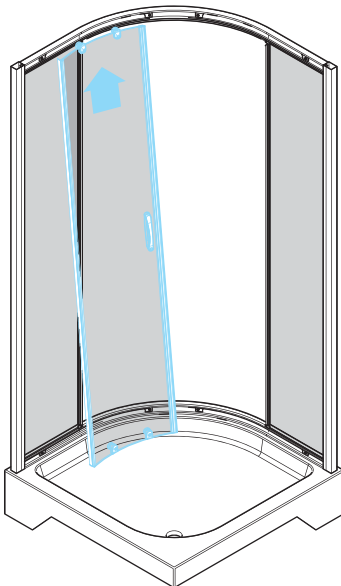
* Tip:
Push fit Magnet Seal, start at the bottom and work up.



Ensure Door Blade Seal is fitted with blade facing away from enclosure, (as Shown).

Inside View

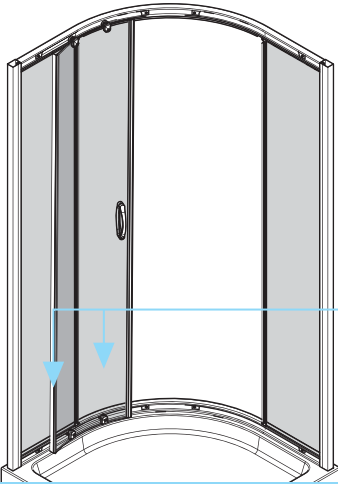
27



Tip:
Locate bearing wheels on the top rail first.

Inside View

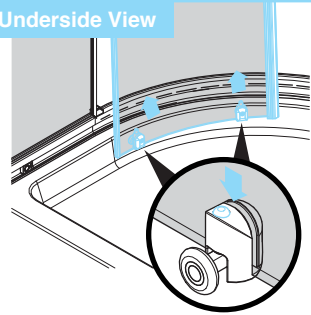
28



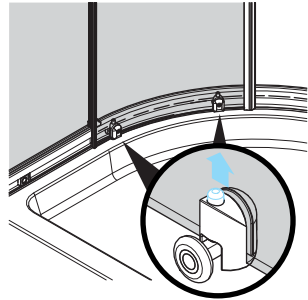
Tip:
Push button down and mount bearing wheels from the outside of enclosure onto the rail, then release button to lock into place.

Inside, Underside View

281

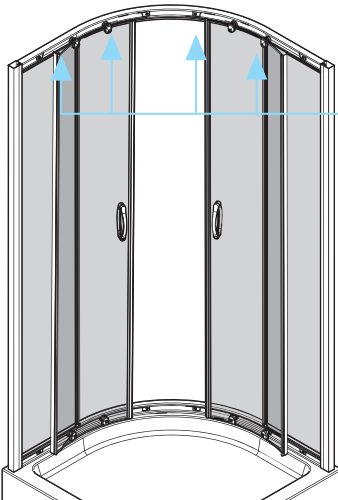


28.2



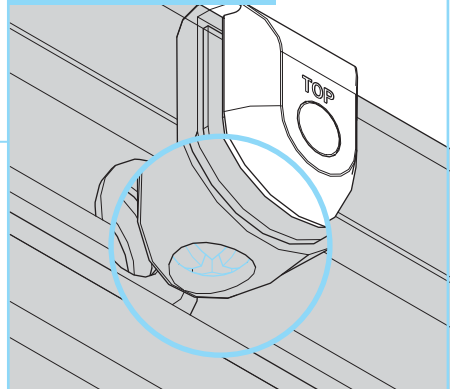
Inside View

29



Ensure free movement of door.
Adjust to suit.

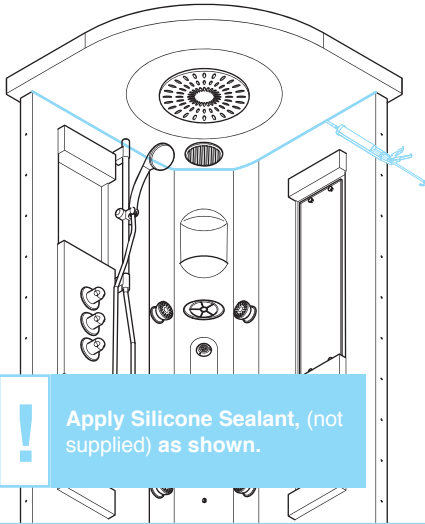
Inside, Underside View



Tip:
When door is correctly located,
door position can be adjusted
up and down using Top Bearing
adjustment screws (above).

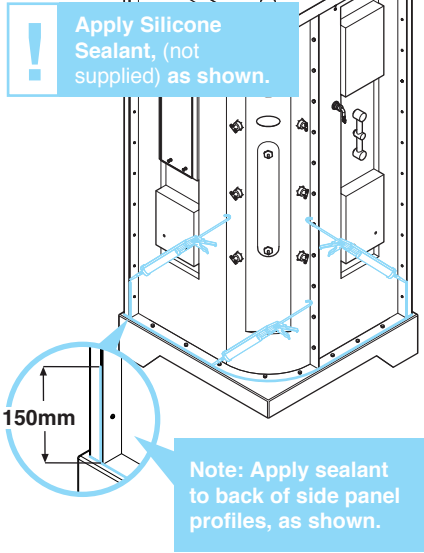
Underside View

30

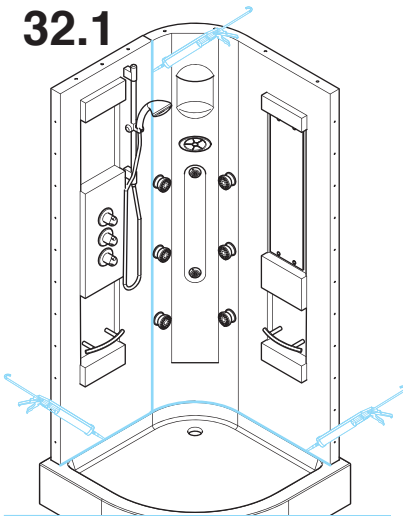


Inside View

31

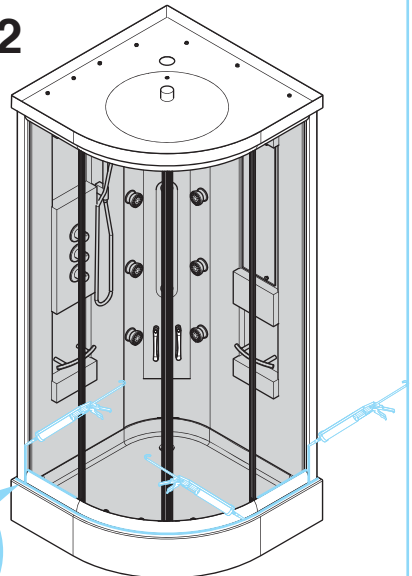
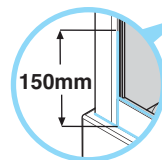


32.1



Product Care:
Use a nonabrasive cleaner. Water marks may be removed with a proprietary limescale remover or household vinegar.

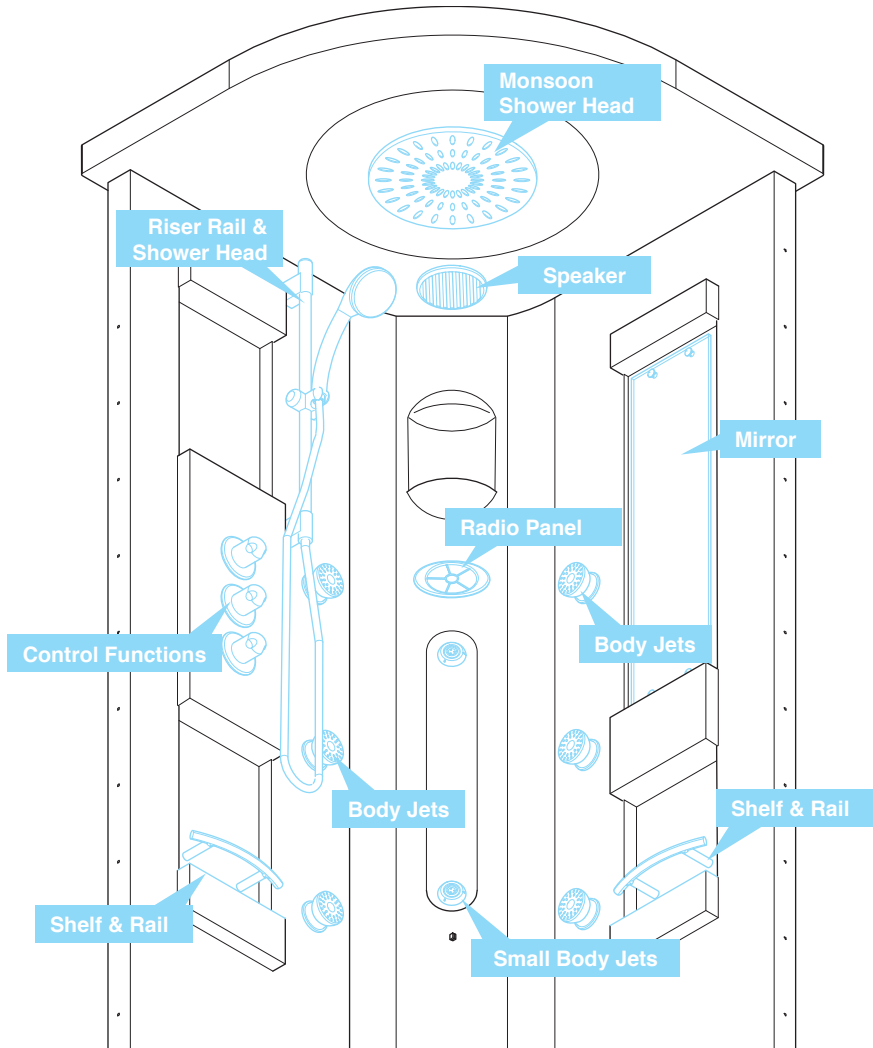
32.2



User Guide:

Quadrant Shower Cabin with Monsoon Head

About Your Shower Cabin



Control Functions

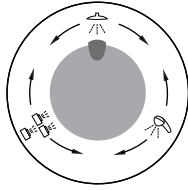
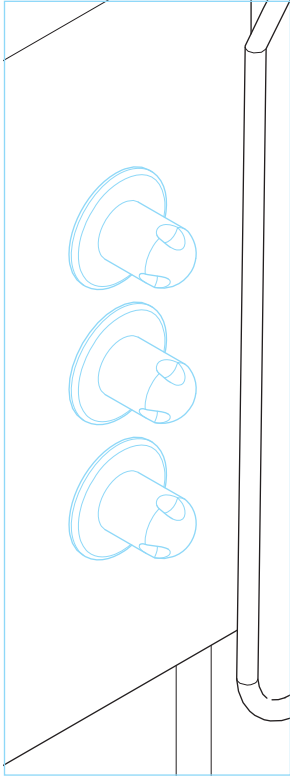


Fig. A: Function

Turn to select required feature:

- To use Body Jet feature turn anti-clockwise towards (D₁ D₂) symbol until 'click'.
- To use Monsoon Shower Head Feature turn towards (A) symbol until 'click'.
- To use Shower Head feature turn clockwise towards (B) symbol until 'click'.

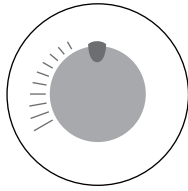


Fig. B: On/ Off Water Control

Turn anti-clockwise to start waterflow;
Continue to turn anti-clockwise in order to increase water pressure.

Turn Clockwise to decrease water pressure and stop waterflow.

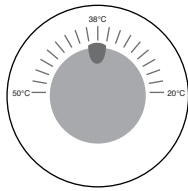


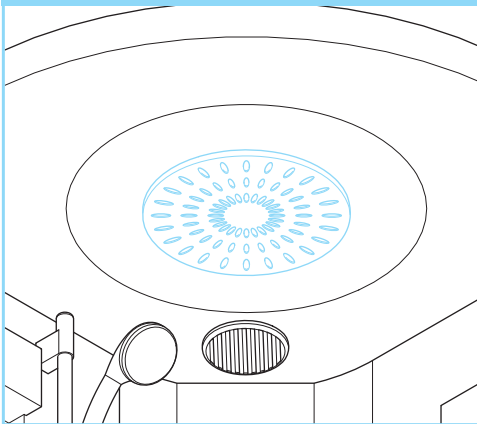
Fig. C: Temperature

Water temperature can be set to standard 38°C by turning dial so that the red button is positioned at the top.

To adjust the water temperature from 38°C, push in the red button and turn:

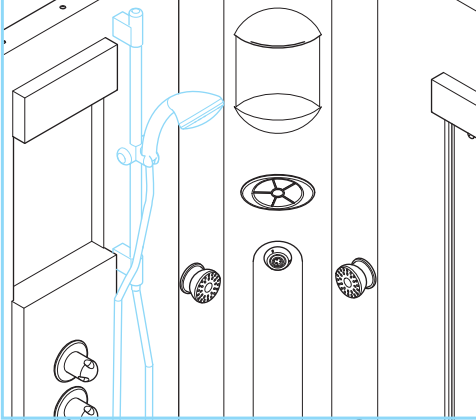
- Anti-clockwise to increase temperature.
- Clockwise to decrease temperature.

Monsoon Shower Head



1. Turn Monsoon Shower Head feature on using Function Control (Fig. A).
2. Turn on/ off using Water control, adjust water pressure as required (Fig B).

Riser Rail & Shower Head

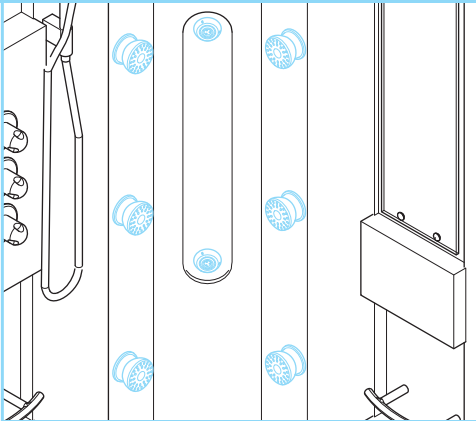


1. Adjust Shower Head Temperature using Temperature Control (Fig. C).
2. Turn Shower Head feature on using the Function Control (Fig. A).
3. Turn on/ off using Water Control, adjust water pressure as required (Fig. B).

Please Note:

- Riser Rail can be adjusted vertically to accommodate user preference.

Body Jets

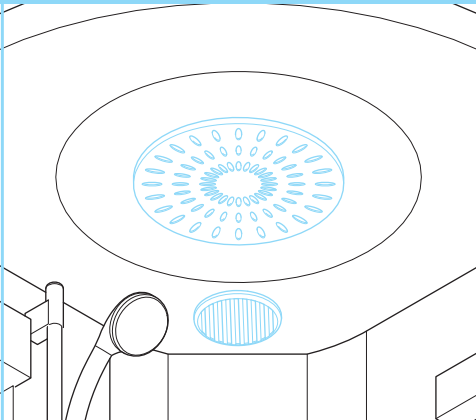


1. Adjust Body Jet Temperature using Temperature Control (Fig. C).
2. Select the Body Jet feature using the Function Control (Fig. A).
3. Turn on/ off using Water Control, adjust water pressure as required (Fig. B).

Please Note:

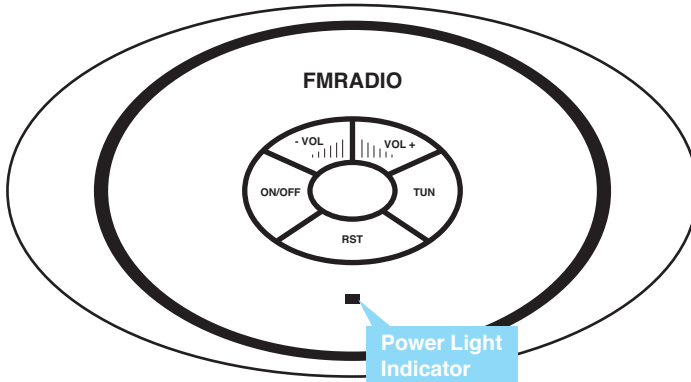
- Body Jets can be adjusted to accommodate user preference.

Radio & Speaker



1. Refer to "Radio Control Panel" notes.

Radio Control Panel



Symbol	Details
ON/OFF	Power: Turn on/ off. Note: Power Light indicates if radio is on or off.
- VOL ↓ 	Volume Decreaser: Press button to decrease the volume.
VOL + ↑ 	Volume Increaser: Press button to increase the volume.
TUN	Radio Frequency Search: Press button to search for next clear radio signal. Note: When radio is turned off, current radio station/ frequency is stored.
RST	Radio Reset: Restart radio frequency search.

Troubleshooting/ Battery Pack Information

Power Light does not come on.

- Ensure that batteries are working. The Battery Pack is located on the top of the monsoon roof.
- 4 x AA Batteries are required.

Poor or No Radio Reception

- FM antenna is located at the back of the unit. Ensure FA antenna is fully unfurled.
- Move FM antenna into a position free from obstruction.

Notes:

Notes:

