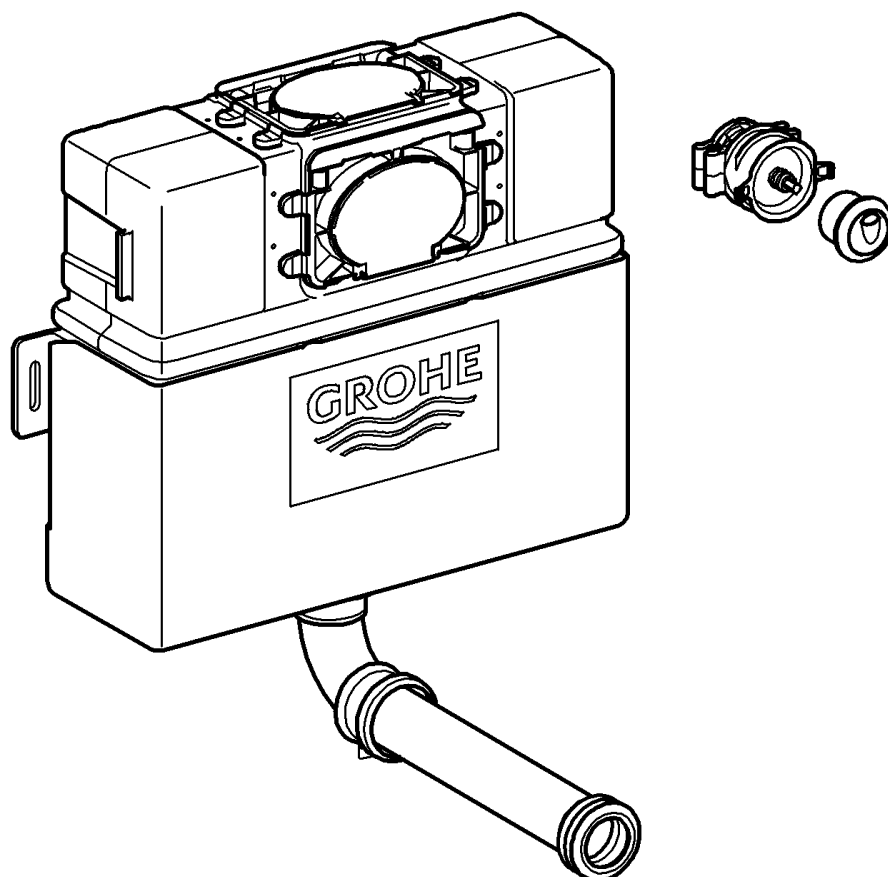


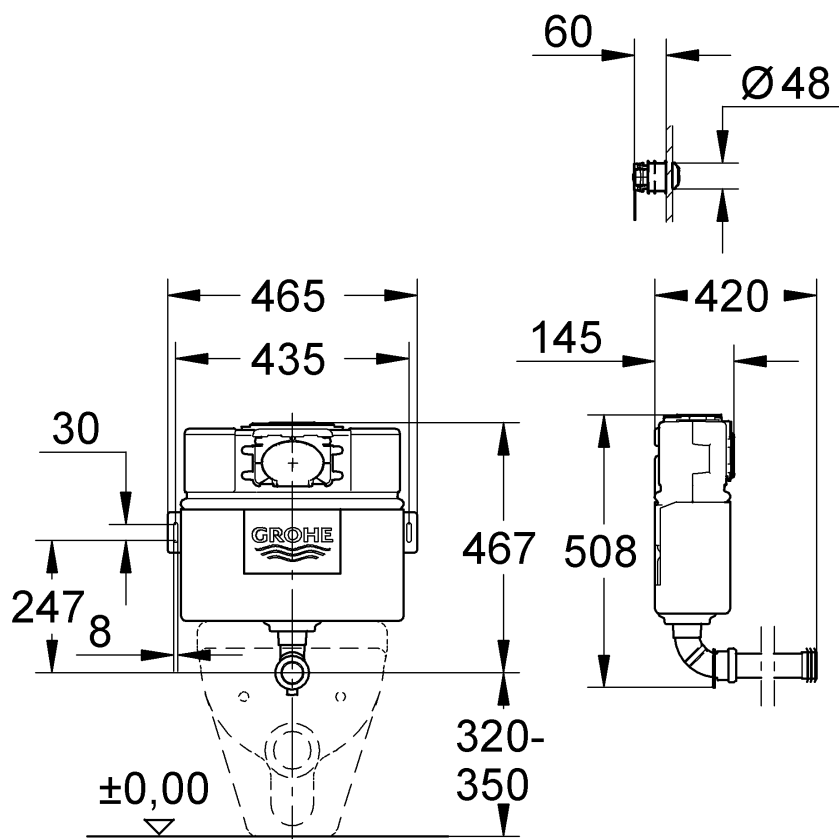
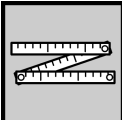
38 691



Design & Quality Engineering GROHE Germany

94.777.531/ÄM 220499/02.11

GROHE
ENJOY WATER®

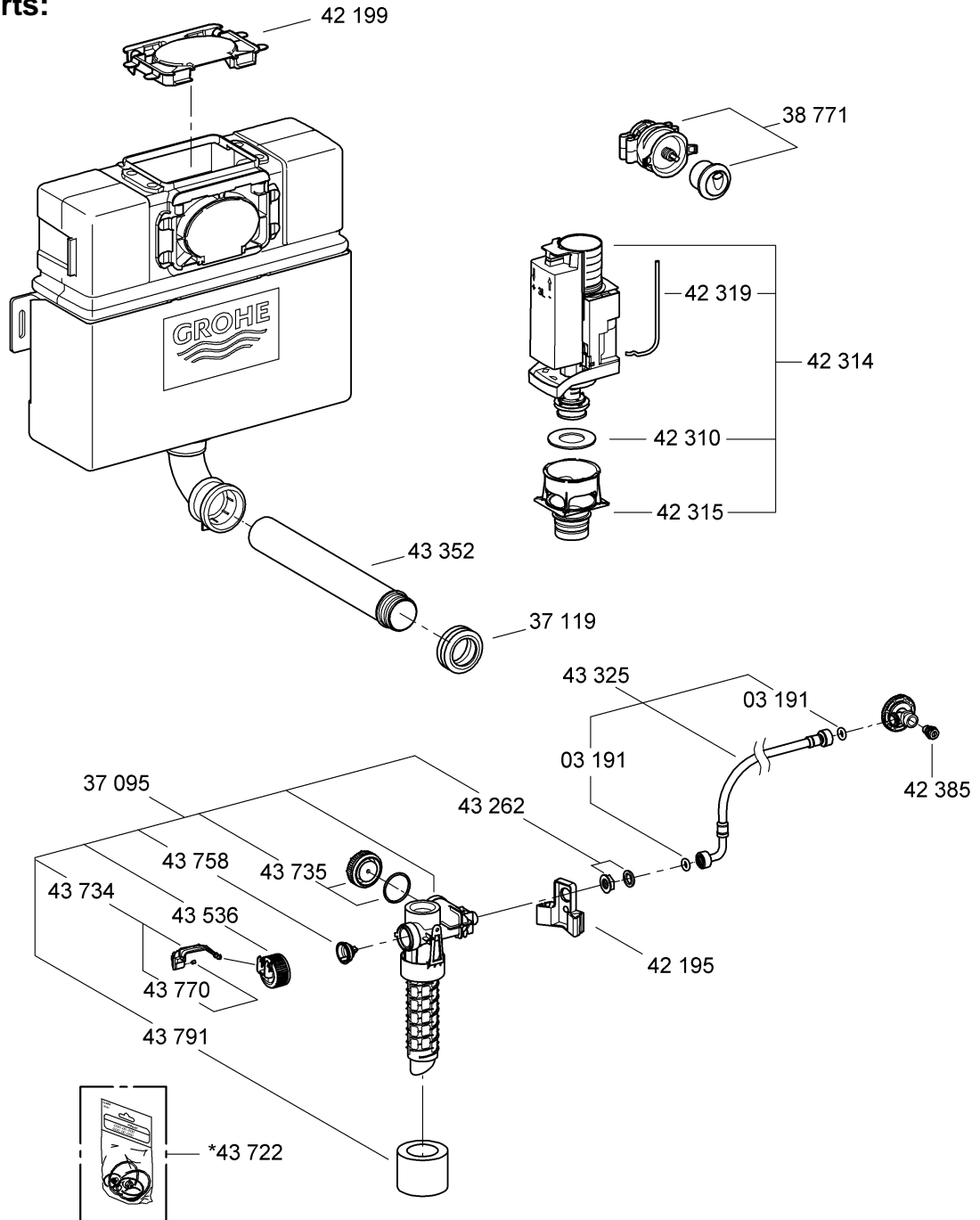


Parts delivered:

Cistern with protection plates			Flush valve
Rosette and buttons			Filler valve
Pneumatic actuation with distance washer			Flushpipe and connector

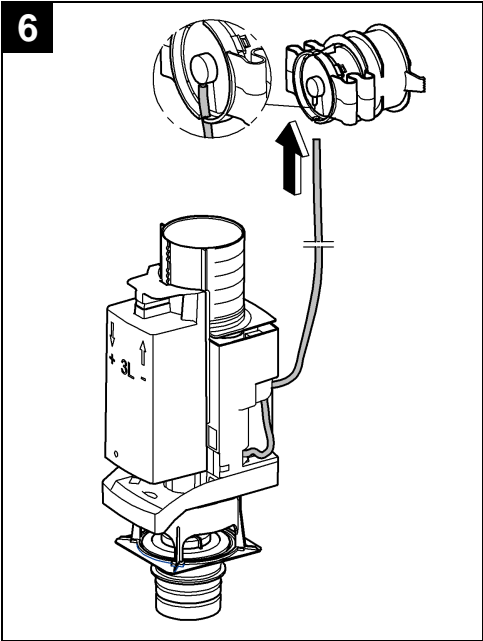
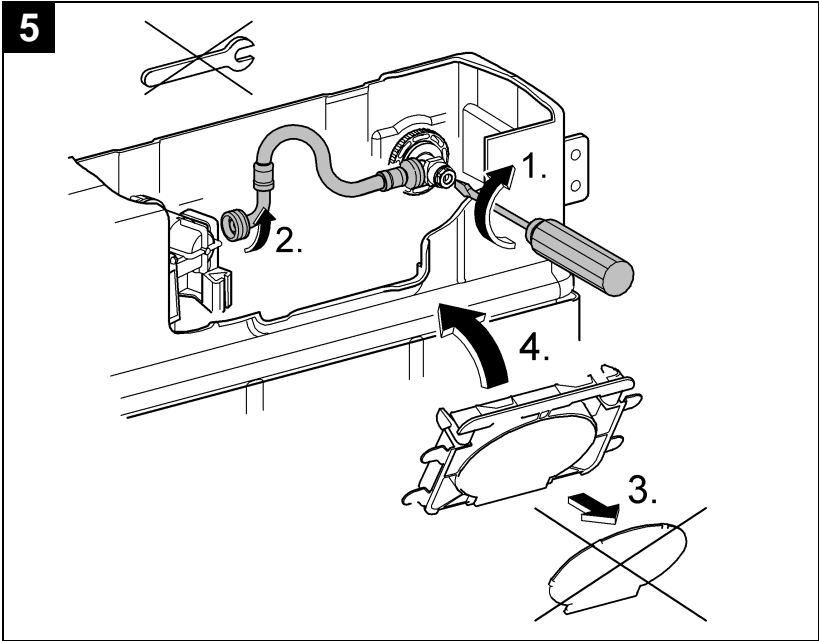
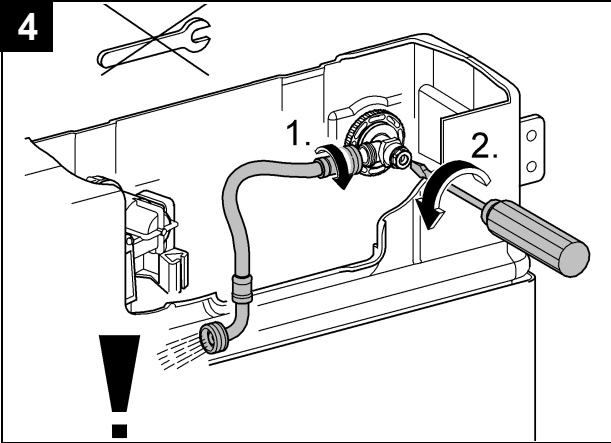
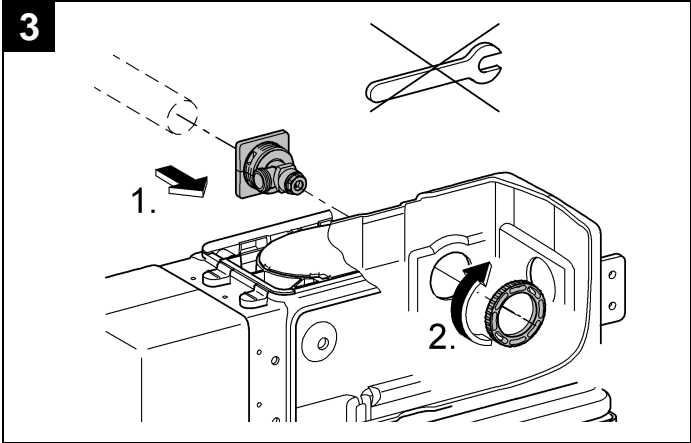
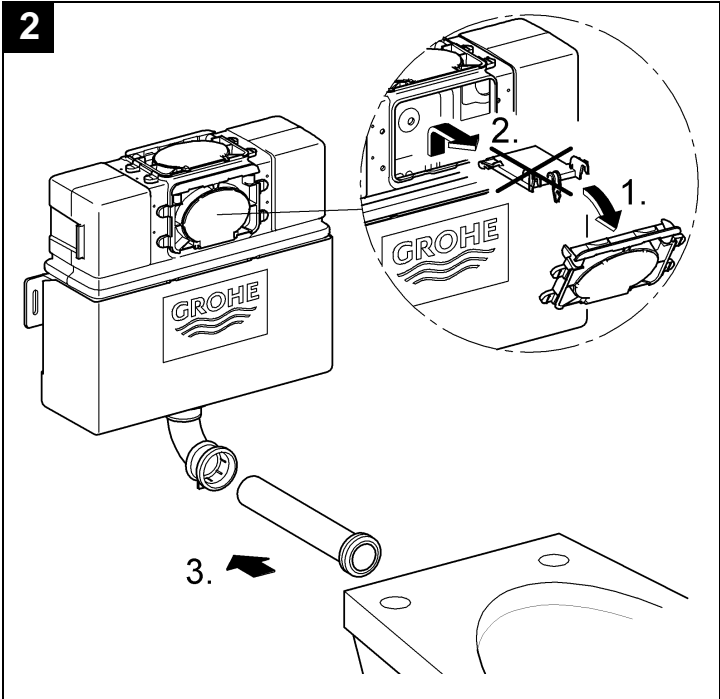
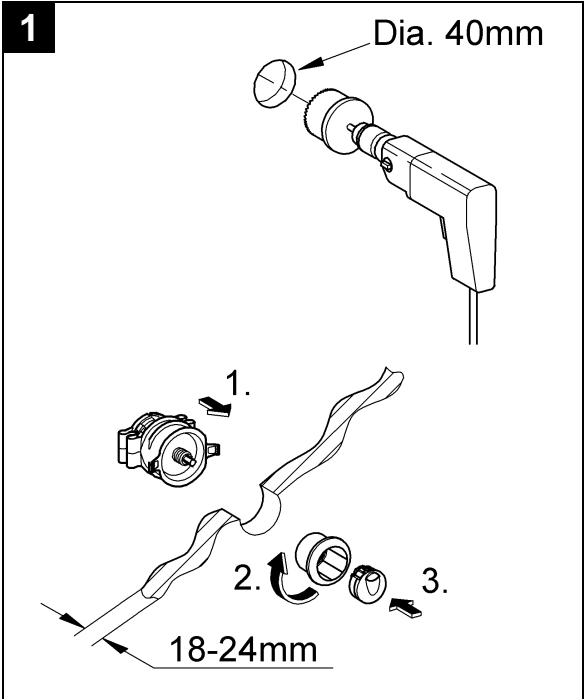
Bitte diese Anleitung an den Benutzer der Armatur weitergeben!
 Please pass these instructions on to the end user of the fitting.
 S.v.p remettre cette instruction à l'utilisateur de la robinetterie!

Spare parts:



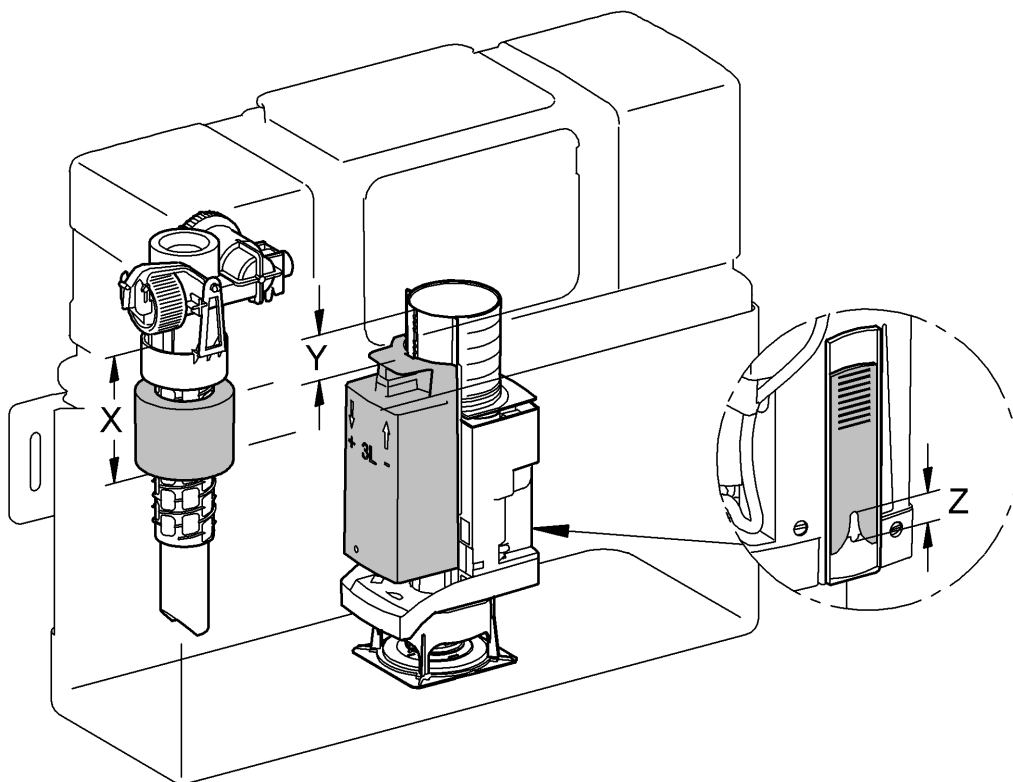
Part No	Description	Part No	Description
42 314 000	Discharge valve, dual flush	42 385 000	Spindle
37 095 000	Filler valve	38 771 000	Actuation, complete
42 195 000	Filler valve holder	43 352 000	Flush pipe
43 325 000	Flexible hose	37 119 000	Rubber pan connector
42 199 000	Protective plate		

Installation:



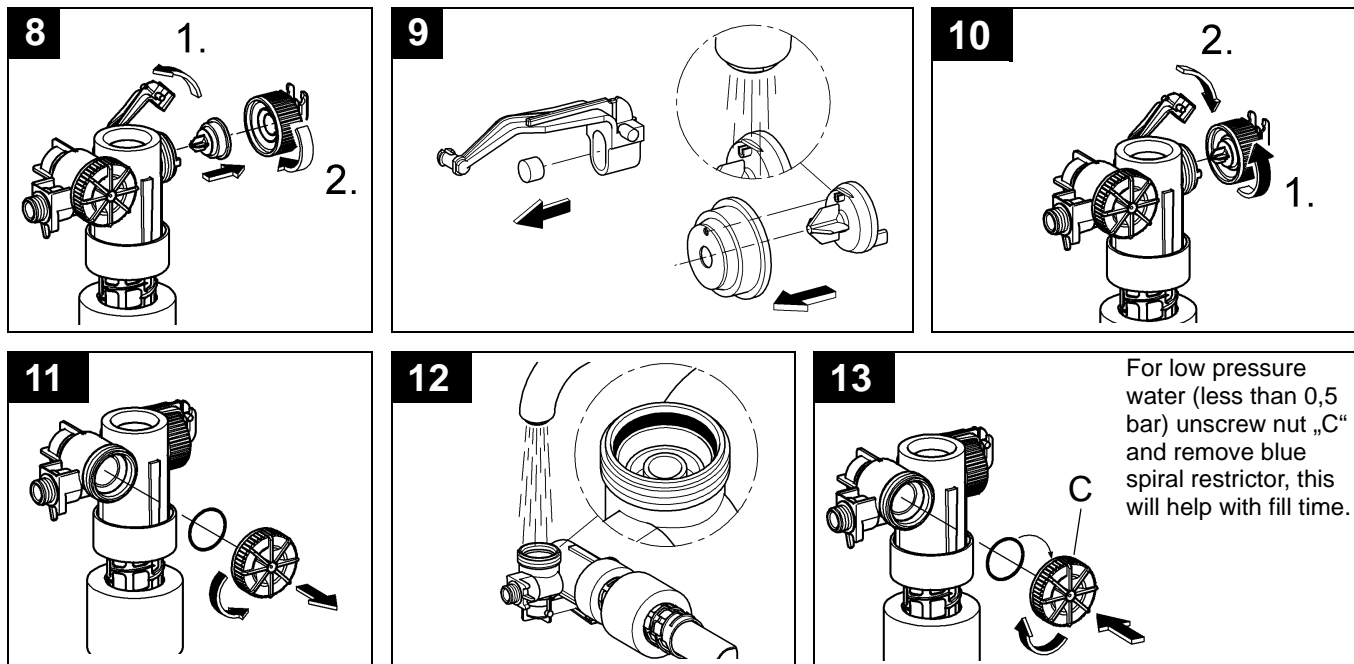
Adjustment instructions

7



	X	Y	Z
full flush: 6 ltr. reduced flush: 3,5 ltr. (factory setting)	88 mm	29 mm	9,5 mm
full flush: 4,5 ltr. reduced flush: 3 ltr.	98 mm	26 mm	> 18 mm
full flush: > 6 ltr. reduced flush: 4 ltr.	88 mm	41 mm	closed

Maintenance: Filler valve



For low pressure water (less than 0,5 bar) unscrew nut „C“ and remove blue spiral restrictor, this will help with fill time.

Fault	Cause	Remedy
Water continually flowing into pan, through the internal overflow	<ul style="list-style-type: none"> • Filler valve not shutting off • Water level has risen above the internal overflow pipe 	<ul style="list-style-type: none"> - Check membrane washer within fill valve for any obstruction caused by debris or damage - adjust polystyrene float on fill valve so that the correct water level is achieved inside the cistern
Water continually flowing into pan, through the seal in cistern outlet point	<ul style="list-style-type: none"> • Drop valve not seating 	<ul style="list-style-type: none"> - check seating washers and seating for any debris or damage around seal, clean if necessary - check seating of discharge valve
Cistern does not flush, there is no water	<ul style="list-style-type: none"> • No water supply to the cistern • Air hose connection is impaired 	<ul style="list-style-type: none"> - check water supply - check isolating valve & any isolating points - check air hose is connected correctly - ensure that the air tube is not kinked

General Notes:

1. Fill Time/Water Inlet Pressure

- the Grohe filler valve has a blue spiral restrictor, this item can be removed in cases where the inlet water pressure is below 0.5 bar. This will improve the fill time of the water level.

2. Water Level

- the polystyrene float on the filler valve regulates the water level for the cistern. The filler valve is factory set to 6 litres and can set to 4,5 litres.

3. Air Hose Connections

- check that the air hose is correctly and securely connected, ensure the air hose is connected to the air button and the discharge valve on the cistern.

Grohe Deutschland
Vertriebs GmbH
Zur Porta 9
D-32457 Porta Westfalica
Tel.: 0 180 2 / 66 00 00
Fax.: 0 180 2 / 66 11 11

GROHE Limited
Blays House, Wick Road
Englefield Green
Egham, Surrey, TW20 0HJ
Tel.: +44 871 200 3414
Fax.: +44 871 200 3415

www.grohe.com