

Please read instructions before commencing installation and retain for future reference.

### Specification:

Protection against electric shock: Class III safety extra low voltage (from appropriate 12V transformer)

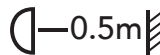
Ingress protection:	IP65 – Dust and jet proof		
Lamp type:	12V MR16 Max. 50W		
Dimensions:	Cut-out	Overall Diameter	Depth
	Ø72mm	Ø83mm	105mm
Temperature range:	-20°C < ta < 40°C		
Supply:	12V (from safety extra low voltage transformer)		



Luminaire designed to be used only with self-shielded tungsten halogen lamps or self-shielded metal halide lamps



Luminaires and transformer not suitable for covering with thermally insulating material



Suitable for mounting on normally flammable surface  
Minimum distance from illuminated object is 0.5 metre

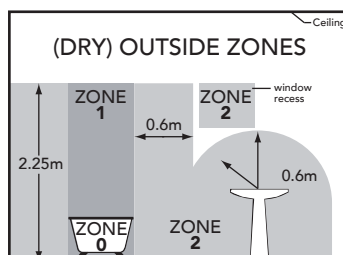
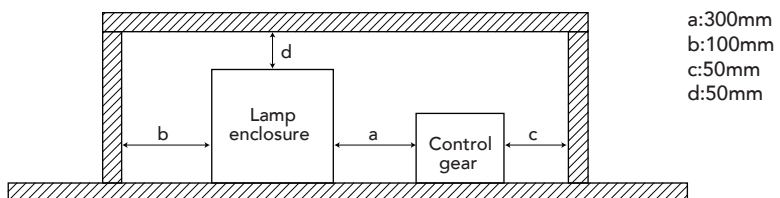
Complies with EN60598 (BS4533)

### Installation:

!Electrical products can cause death or injury, or damage to property. If in any doubt about the installation or use of this product, consult a competent electrician.

- 1 Ensure mains supply is switched off.
- 2 Mark ceiling with appropriate cut-out size.
- 3 Before cutting, ensure that the hole does not impinge on joists, pipe work, cables or other building services.
- 4 Ensure there is at least 100mm of free space around and 50mm above the luminaire. Do not cover the luminaire with thermal insulation. Place transformer 300mm from luminaire to avoid overheating.
- 5 Connect transformer output to fitting terminals (polarity is unimportant). Do Not Earth!
- 6 Offer luminaire up to cut-out with the springs being held vertically. The luminaire is retained in position by the spring tension against the ceiling
- 7 Lamp installation and replacement:

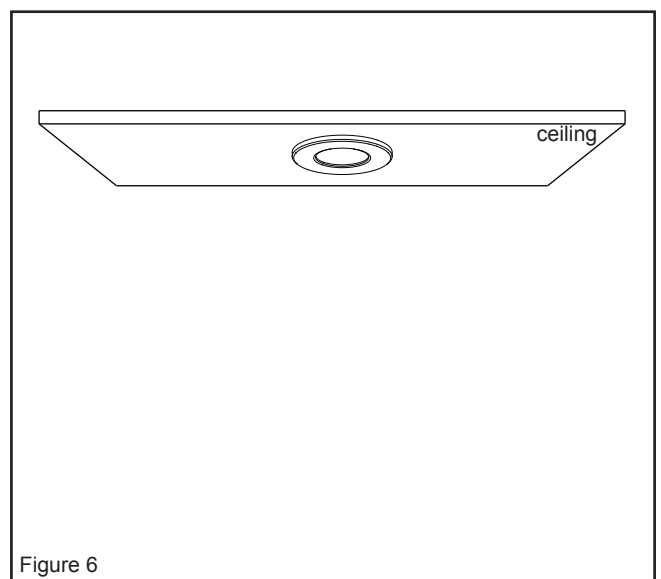
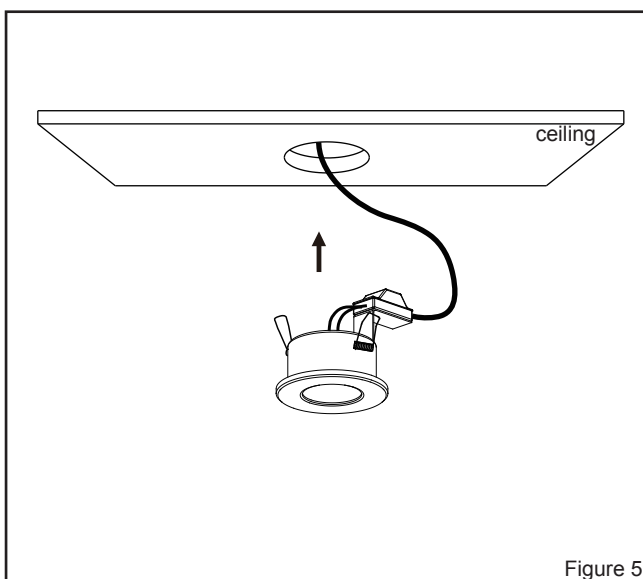
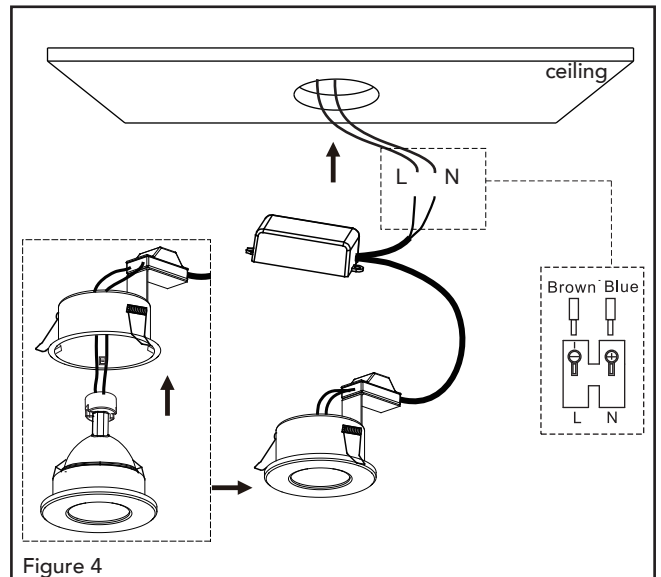
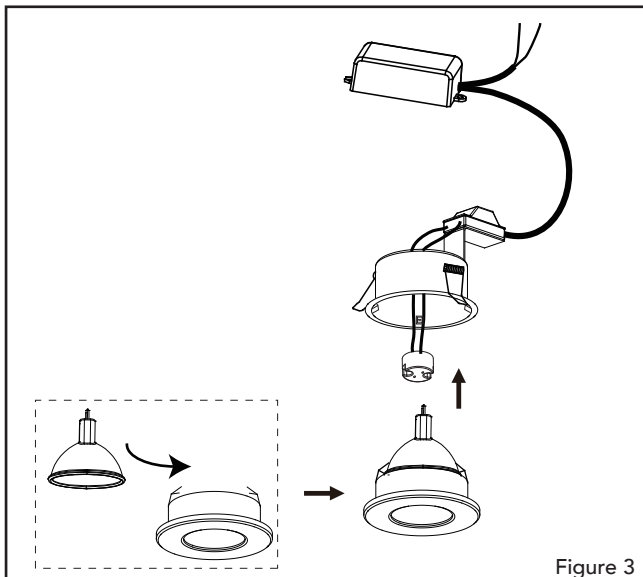
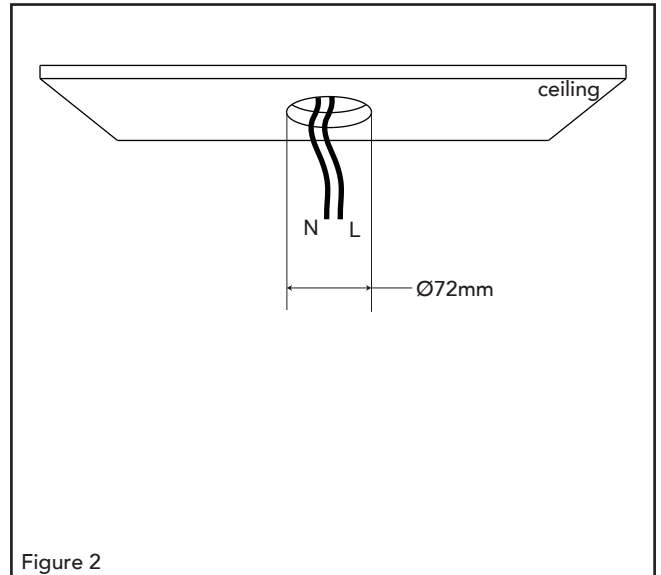
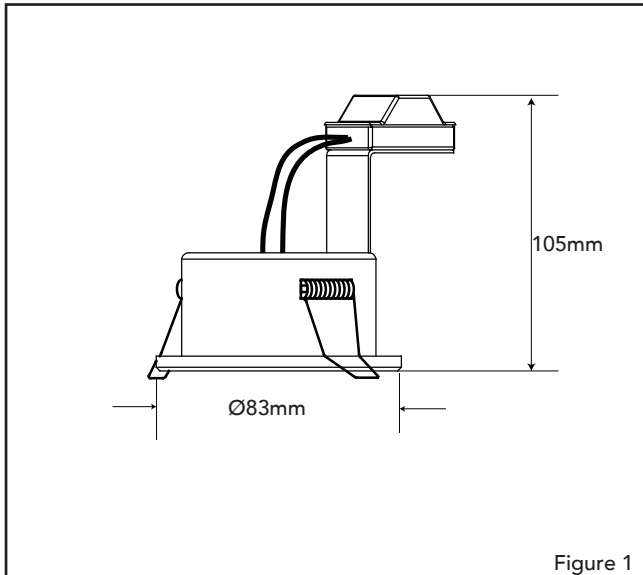
! Ensure mains supply is off. ! When operating the luminaire is too hot to touch. Switch off and allow to cool before undertaking any maintenance work. Pull front bezel downwards to remove. Pull lampholder off lamp pins and slide lamp out of retaining brackets. Fit lampholder to new lamp and position lamp in retaining brackets. Replace front bezel before switching on.



This product is specially designed for installation in a bathroom. It is IP65 rated and can be fitted in Zone 1, Zone 2 and Outside (dry) zones of a bathroom - see diagram left. The bezel on this product provides the IP65 protection. The electrical parts of this product must be installed in a fully enclosed ceiling void with the bezel fitted to maintain the IP65 rating. Do not use the product without the bezel fitted.

**The Installation must be carried out by an electrician**

Installation diagram:



The Installation must be carried out by an electrician

