



## Capital 50A D.P. Ceiling Switch

QU 36495  
36496  
36494  
36492

List No. 2167

Type tested to B.S.3676  
For use on 240/250V 50Hz supply

**Note:** Cable end preparation is carried out after the switch has been fixed, thus leaving both hands free to carry out cable termination and avoiding the need to push excess cable back into the ceiling void.

### Installation

Isolate mains before commencing work.

For ceiling mounting, the switch must be securely fixed to a joist or suitable 'stretcher' using No. 8 wood screws.

The switch may also be mounted to a large circular conduit box, using the correct screws for the box.

For concealed wiring, route cables as in Figs. 1 or 2 overleaf.

For surface wiring prepare side(s) of ceiling switch to accept either: (a) sheathed cable only; or (b) 16mm x 25mm trunking and route cables as in Fig. 3 overleaf.

Prepare cable ends, as in Fig. 4 overleaf, ensuring that the outer sheath projects not less than 30mm from the mounting surface.

Connect cables to switch terminals as illustrated in Fig. 5 overleaf.

### Notes:

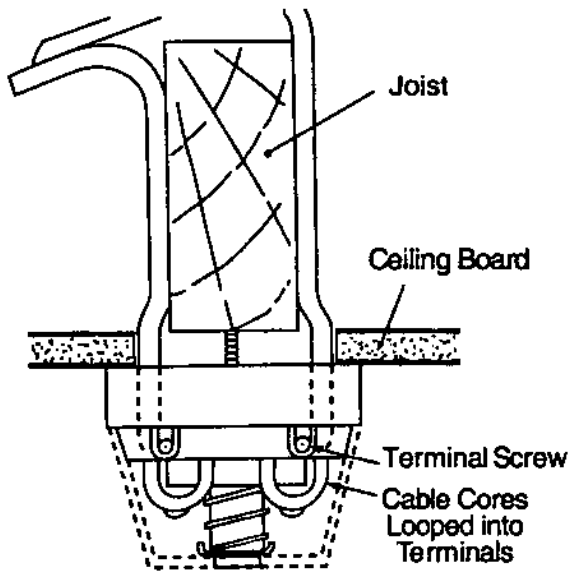
1. All cable cores must be arranged so that there is no interference with the front cover, switch mechanism or neon located in the front cover.
2. Supply cable must be connected to terminals on side marked 'IN' and load cables to terminals on side marked 'OUT'.
3. The switch may be tested without the cover in place and any insulation testing of the circuit should be carried out with the cover removed (thus disconnecting the neon).
4. The cover is 'keyed' to fit one way only and fitting of the cover automatically connects the neon.
5. If wall mounted, the switch should be positioned so that the mechanical indicator 'flag' is located above or to one side of the line of pull cord operation.
6. When used in bathrooms, pull switches should be fixed out of reach of the bath or shower.

**THIS SWITCH COMPLIES WITH THE REQUIREMENTS OF THE CURRENT EDITION OF THE I.E.E. WIRING REGULATIONS FOR USE AS AN ISOLATING DEVICE.**

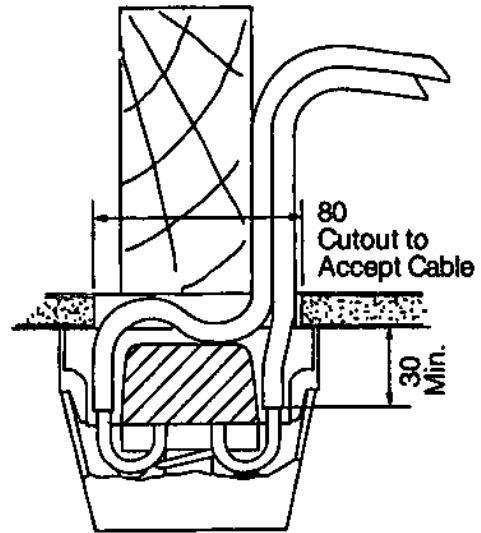
### Conditions of Use

The product referred to in this instruction leaflet should be installed by suitably qualified personnel in accordance with the requirements of all relevant legislation, regulations (including the I.E.E. Wiring Regulations where appropriate) and the accepted practice in the industry. Any further information which may be required about the use for which any specific product has been designed and tested or about conditions of use, is available on request, or from the relevant British Standard.

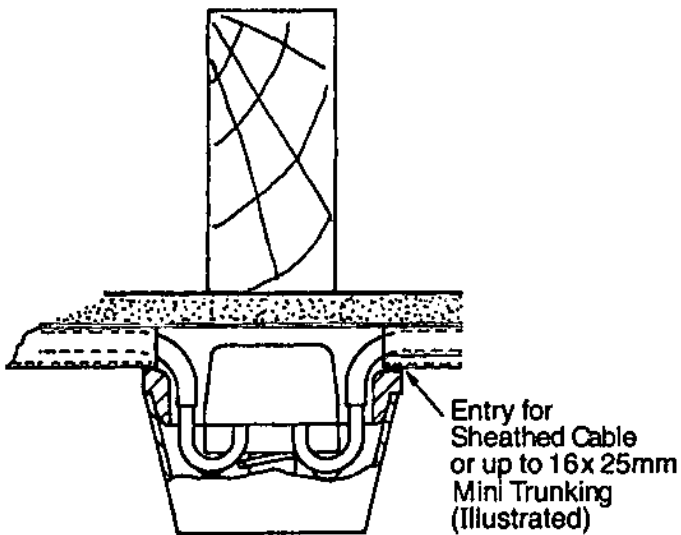
All dimensions in millimetres



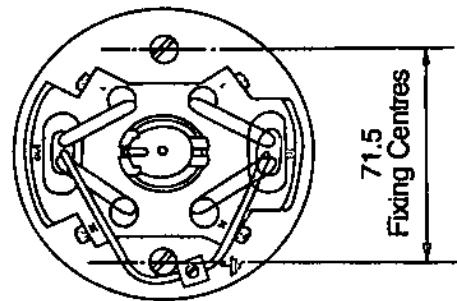
**Fig. 1**  
Back Entry



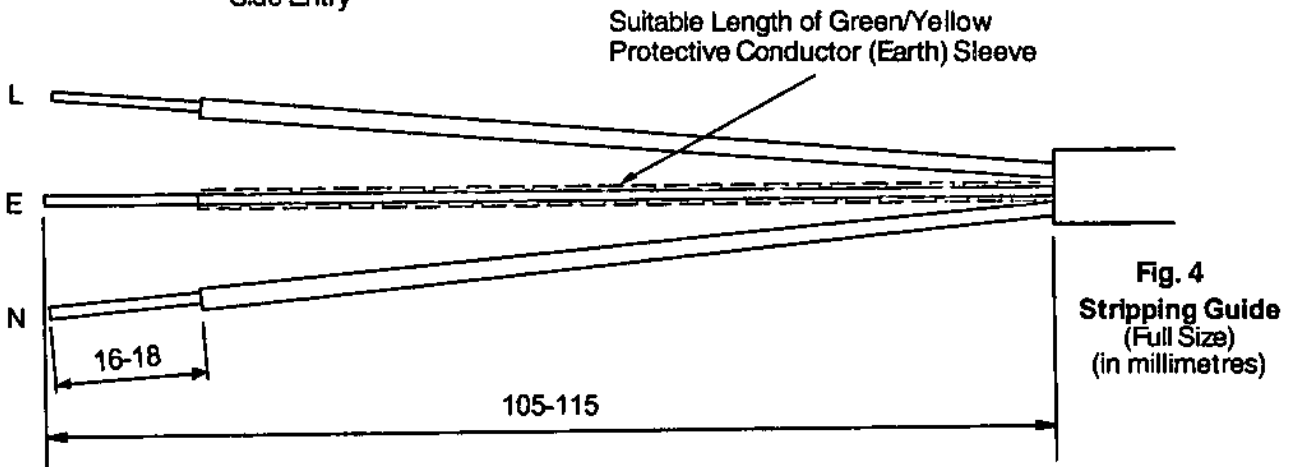
**Fig. 2**  
Back Entry



**Fig. 3**  
Side Entry



**Fig. 5**



**Fig. 4**  
Stripping Guide  
(Full Size)  
(in millimetres)

