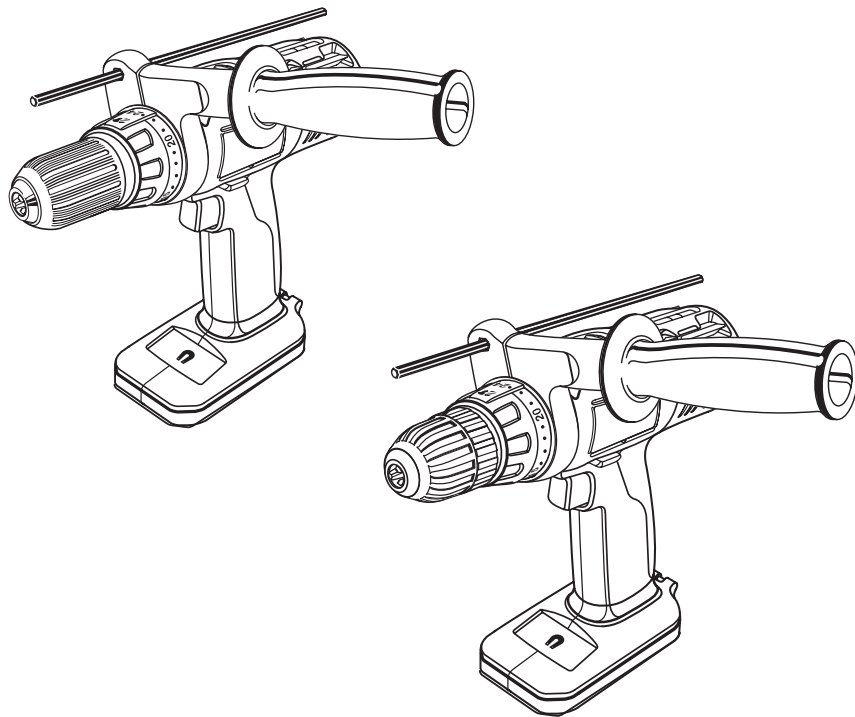


960223559-02 (CDI-1801M/CDI-1802M)

**RYOBI**<sup>®</sup>

**CDI-1801M/CDI-1802M**

**CORDLESS IMPACT DRILL DRIVER  
OWNER'S OPERATING MANUAL**



**CE**

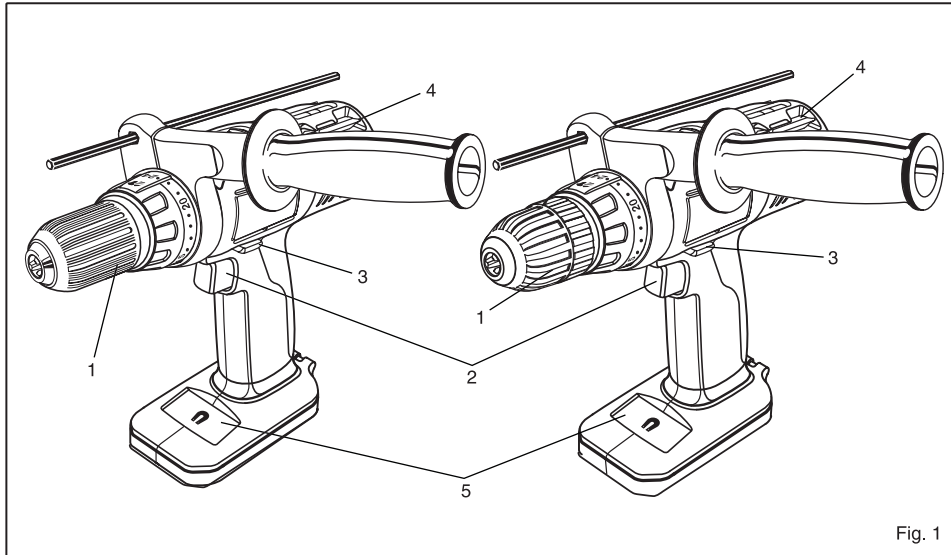


Fig. 1

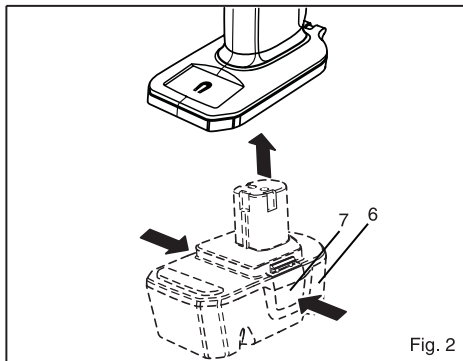


Fig. 2

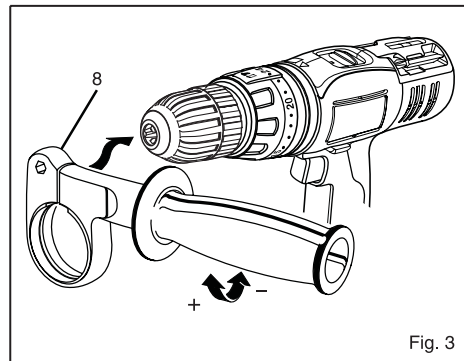


Fig. 3

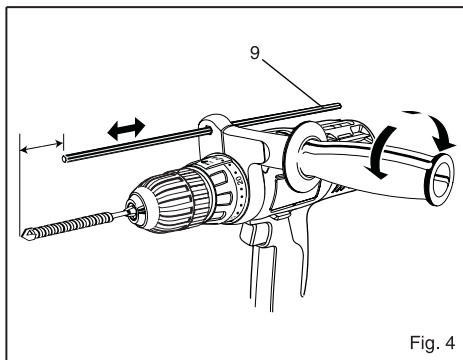


Fig. 4

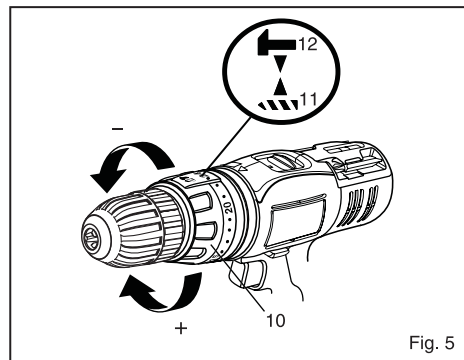


Fig. 5

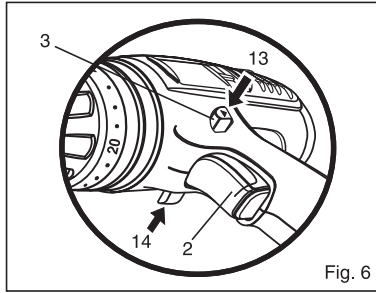


Fig. 6

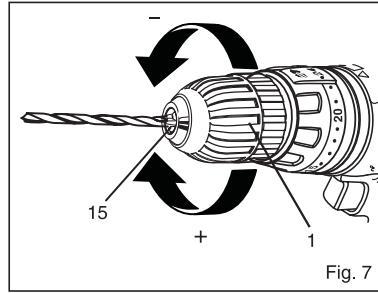


Fig. 7

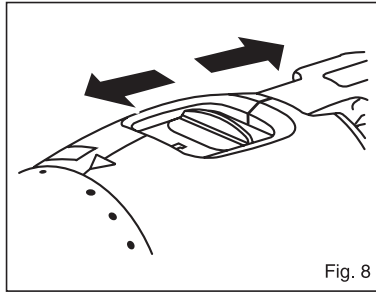
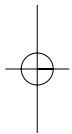
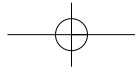


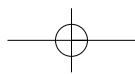
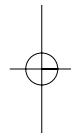
Fig. 8



**Important!**

It is essential that you read the instructions in this manual before mounting and operating this machine.

Subject to technical modifications



## English

### GENERAL SAFETY RULES



#### WARNING

Read all instructions. Failure to follow all instructions listed below may result in electric shock, fire and/or serious injury. The term "power tool" in all of the warnings listed below refers to your mains operated (corded) power tool or battery operated (cordless) power tool.

#### SAVE THESE INSTRUCTIONS.

##### 1) WORK AREA

- a) **Keep work area clean and well lit.** Cluttered and dark areas invite accidents.
- b) **Do not operate power tools in explosive atmospheres, such as in the presence of flammable liquids, gases, or dust.** Power tools create sparks which may ignite the dust or fumes.
- c) **Keep children and bystanders away while operating a power tool.** Distractions can cause you to lose control.

##### 2) ELECTRICAL SAFETY

- a) **Power tool plugs must match the outlet. Never modify the plug in any way. Do not use any adapter plugs with earthed(grounded) power tools.** Unmodified plugs and matching outlets will reduce risk of electric shock.
- b) **Avoid body contact with earthed or grounded surfaces such as pipes, radiators, ranges and refrigerators.** There is an increased risk of electric shock if your body is earthed or grounded.
- c) **Do not expose power tools to rain or wet conditions.** Water entering a power tool will increase the risk of electric shock.
- d) **Do not abuse the cord.** Never use the cord for carrying, pulling or unplugging the power tool. Keep cord away from heat, oil, sharp edges or moving parts. Damaged or entangled cords increase the risk of electric shock.
- e) **When operating a power tool outdoors, use an extension cord suitable for outdoor use.** Use of a cord suitable for outdoor use reduces the risk of electric shock.

##### 3) PERSONAL SAFETY

- a) **Stay alert, watch what you are doing and use common sense when operating a power tool.** Do not use a power tool while you are tired or under the influence of drugs, alcohol or medication. A moment of inattention while operating power tools may result in serious personal injury.

- b) **Use safety equipment.** Always wear eye protection. Safety equipment such as dust mask, non-skid safety shoes, hard hat, or hearing protection used for appropriate conditions will reduce personal injuries.
- c) **Avoid accidental starting.** Ensure the switch is in the off position before plugging in. Carrying power tools with your finger on the switch or plugging in power tools that have the switch on invites accidents.
- d) **Remove any adjusting key or wrench before turning the power tool on.** A wrench or a key left attached to a rotating part of the power tool may result in personal injury.
- e) **Do not overreach. Keep proper footing and balance at all times.** This enables better control of the power tool in unexpected situations.
- f) **Dress properly.** Do not wear loose clothing or jewellery. Keep your hair, clothing and gloves away from moving parts. Loose clothes, jewellery or long hair can be caught in moving parts.
- g) **If devices are provided for the connection of dust extraction and collection facilities, ensure these are connected and properly used.** Use of these devices can reduce dust related hazards.

##### 4) POWER TOOL USE AND CARE

- a) **Do not force the power tool.** Use the correct power tool for your application. The correct power tool will do the job better and safer at the rate for which it was designed.
- b) **Do not use the power tool if the switch does not turn it on and off.** Any power tool that can not be controlled with the switch is dangerous and must be repaired.
- c) **Disconnect the plug from the power source before making any adjustments, changing accessories, or storing power tools.** Such preventive safety measures reduce the risk of starting the power tool accidentally.
- d) **Store idle power tools out of the reach of children and do not allow persons unfamiliar with the power tool or these instructions to operate the power tool.** Power tools are dangerous in the hands of untrained users.
- e) **Maintain power tools.** Check for misalignment or binding of moving parts, breakage of parts and any other condition that may affect the power tools operation. If damaged, have the power tool repaired before use. Many accidents are caused by poorly maintained power tools.
- f) **Keep cutting tools sharp and clean.** Properly maintained cutting tools with sharp cutting edges are less likely to bind and are easier to control.

## English

### GENERAL SAFETY RULES

**g) Use the power tool, accessories and tool bits etc., in accordance with these instructions and in the manner intended for the particular type of power tool, taking into account the working conditions and the work to be performed.** Use of the power tool for operations different from intended could result in a hazardous situation.

### 5) BATTERY TOOL USE AND CARE

**a) Ensure the switch is in the off position before inserting battery pack.** Inserting the battery pack into power tools that have the switch on invites accidents.

**b) Recharge only with the charger specified by the manufacturer.** A charger that is suitable for one type of battery pack may create a risk of fire when used with another battery pack.

**c) Use power tools only with specifically designated battery packs.** Use of any other battery packs may create a risk of injury and fire.

**d) When battery pack is not in use, keep it away from other metal objects like paper clips, coins, keys, nails, screws, or other small metal objects that can make a connection from one terminal to another.** Shorting the battery terminals together may cause burns or a fire.

**e) Under abusive conditions, liquid may be ejected from the battery; avoid contact.** If contact accidentally occurs, flush with water. If liquid contacts eyes, additionally seek medical help. Liquid ejected from the battery may cause irritation or burns.

### 6) SERVICE

**a) Have your power tool serviced by a qualified repair person using only identical replacement parts.** This will ensure that the safety of the power tool is maintained.

### 7) SPECIAL RULES

**a) Wear ear protectors with impact drills.** Exposure to noise can cause hearing loss.

**b) Use auxiliary handles supplied with the tool.** Loss of control can cause personal injury.

### SPECIFICATIONS

Model	CDI-1801M	CDI-1802M
Voltage	18 V	18 V
Chuck (mm)	13	13
Chuck sleeve	Two	Single
Switch	Variable speed	Variable speed
No load speed (drill mode):		
-Lo speed (min <sup>-1</sup> )	0 - 400	0 - 400
-Hi speed (min <sup>-1</sup> )	0 - 1400	0 - 1400

No load speed (impact mode):

-Lo speed (min <sup>-1</sup> )	0 - 5200	0 - 5200
-Hi speed (min <sup>-1</sup> )	0 - 18200	0 - 18200
Max.Torque (Nm)	35	35

Battery pack (Not included):

BPP-1817M/	BPP-1817M/
BPP-1815M	BPP-1815M

Charger (Not included)

BC-1800/	BC-1800/
BC-1815S	BC-1815S

### DESCRIPTION

1. Keyless chuck
2. Switch trigger
3. Direction of rotation selector (Forward/Reverse)
4. Screwdriver bits
5. Magnetic tray
6. Battery pack (NOT INCLUDED)
7. Latches
8. Auxiliary Handle
9. Depth Gauge Rod
10. Torque adjusting Ring
11. Drill mode
12. Impact mode
13. Reverse
14. Forward
15. Chuck jaws

### OPERATION

#### TO INSTALL BATTERY PACK (NOT INCLUDED) (Fig.2)

- Lock switch trigger on your drill by placing the direction of rotation selector in center position.
- Place battery pack in your drill. Align raised rib on battery pack with groove inside drill.
- Make sure the latches on battery pack snap in place and battery pack is secured in drill before beginning operation.

#### TO REMOVE BATTERY PACK(NOT INCLUDED) (Fig.2)

- Lock switch trigger on your drill by placing the direction of rotation selector in center position.
- Locate latches of battery pack and depress to release battery pack from your drill.
- Remove battery pack from your drill.

#### ADJUSTING THE AUXILIARY HANDLE (Fig. 3)

Follow these steps to adjust the auxiliary handle.

- Loosen the auxiliary handle by turning the knob counterclockwise.
- Rotate the auxiliary handle to the desired location.
- Tighten the auxiliary handle securely by turning the knob clockwise.

## English

### OPERATION

#### ADJUSTING THE DEPTH GAUGE ROD (Fig. 4)

Follow these steps to adjust the depth gauge rod.

- Lock the trigger switch by placing the rotation selector in the center position.
- Loosen the auxiliary handle by turning the knob counterclockwise.
- Adjust the depth gauge rod so that the drill bit extends beyond the end of the rod to the required drilling depth.
- Tighten the auxiliary handle by turning the knob clockwise.

#### ADJUSTING THE TORQUE (Fig. 5)

The tool is equipped with an adjustable torque clutch for driving different types of screws into different materials. Adjust the torque as necessary.

We recommend that you use carbide-tipped bits and select impact mode when drilling in hard material such as brick, tile, concrete, etc.



#### CAUTION

The impact drill is not designed for reverse hammering. Failure to obey this caution may result in property damage.

#### SWITCH (Fig. 6)

- To turn your drill ON, depress the switch trigger.
- To turn it OFF, release the switch trigger.

#### VARIABLE SPEED

This tool has a variable speed switch that delivers higher speed and torque with increased trigger pressure. Speed is controlled by the amount of switch trigger depression.

#### SWITCH LOCK (Fig. 6)

The switch trigger can be locked in the OFF position. This feature can be used to prevent the possibility of accidental starting when not in use. To lock switch trigger, place the direction of rotation selector (Forward/Reverse Selector) in center position.

**Note:** When selector is in center position, switch trigger is locked.

#### REVERSIBLE (Fig. 6)

This tool has the feature of being reversible. The direction of rotation is controlled by a selector located above the switch trigger. With the drill held in normal operating position, the direction of rotation selector should be positioned to the left of the switch for drilling. The drilling direction is reversed when the selector is to the right of the switch. When the selector is in center position, the switch trigger is locked. To stop, release switch trigger and allow the chuck to come to a complete stop.

#### ELECTRIC BRAKE

This drill has an electric brake. When the trigger switch is released, the chuck stops turning. When the brake is functioning properly, sparks will be visible through the vent slots on the housing. This is normal and is the action of the brake.

#### ADJUSTING THE SPEED (Fig. 8)

Follow these steps to adjust the speed.

- For high speed: Slide the two-speed gear train switch to "2."
- For low speed: Slide the two-speed gear train switch to "1."

**Note:** If you have difficulty changing from one gear range to the other, turn the chuck by hand until the gears engage.



#### CAUTION

To prevent gear damage, always allow chuck to come to a complete stop before changing the speed or the direction of rotation.

#### KEYLESS CHUCK (Fig. 7)

Your drill has a keyless chuck. As the name implies, you can hand tighten or release drill bits in the chuck jaws. Rotate the chuck with your hand. Rotate the chuck body with your other hand. The arrows on the chuck indicate which direction to rotate the chuck body in order to LOCK (tighten) or UNLOCK (release) the drill bit.



#### WARNING

Do not hold chuck body with one hand and use power of the drill to tighten chuck jaws on drill bit. Chuck body could slip in your hand or your hand could slip and come in contact with rotating drill bit. This could cause an accident resulting in serious personal injury.

## English

### MAINTENANCE



#### WARNING

When servicing, use only identical replacement parts. Use of any other part may create a hazard or cause product damage.

Avoid using solvents when cleaning plastic parts. Most plastics are susceptible to damage from various types of commercial solvents and may be damaged by their use. Use clean cloths to remove dirt, dust, oil, grease, etc.



#### WARNING

Do not at any time let brake fluids, gasoline, petroleum-based products, penetrating oils, etc. come in contact with plastic parts. They contain chemicals that can damage, weaken or destroy plastic.

Do not abuse power tools. Abusive practices can damage tool as well as workpiece.



#### WARNING

Do not attempt to modify this tool or create accessories not recommended for use with this tool. Any such alteration or modification is misuse and could result in a hazardous condition leading to possible serious personal injury.

### ENVIRONMENTAL PROTECTION



Recycle raw materials instead of disposing as waste. The machine, accessories and packaging should be sorted for environmental-friendly recycling.



## GUARANTEE - STATEMENT

This Ryobi product is guaranteed from defects in material and workmanship, for a period of twenty-four (24) months, effective and evidenced from date of original invoice or delivery note.

Defects caused by normal wear and tear, unauthorized/improper maintenance/handling or overload are excluded from this guarantee as are accessories such as battery packs, bulbs, blades and bits, etc.

In the event of malfunction within the guarantee period, please return the product UNDISMANTLED with proof of purchase, to your dealer or nearest Ryobi Service Centre.

Your statutory rights in respect of defective products remain unaffected by the warranty.

### DECLARATION OF CONFORMITY

We declare under our sole responsibility that this product is in conformity with the following standards or standardised documents.

**98/37/EC, 89/336/EEC, EN60745, EN61000, EN55014**

	<b>CDI-1801M</b>	<b>CDI-1802M</b>
<b>Sound pressure level</b>	89 dB(A)	89 dB(A)
<b>Sound power level</b>	100 dB(A)	100 dB(A)
<b>Weighted root mean square acceleration value.</b>	15.9 m/s <sup>2</sup>	15.9 m/s <sup>2</sup>

**Machine: CORDLESS IMPACT DRILL DRIVER**

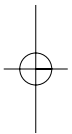
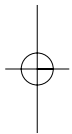
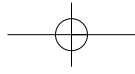
**Type: CDI-1801M/  
CDI-1802M**

Name of company: RYOBI TECHNOLOGIES (UK) LIMITED. Name/Title:  
Address: ANVIL HOUSE, TUNS LANE, HENLEY-ON-THAMES, OXFORDSHIRE, RG9 1SA UNITED KINGDOM  
Tel: +44-1491-848700 Fax: +44-1491-848701

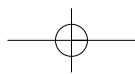
Mark Pearson  
Managing Director

Signature:





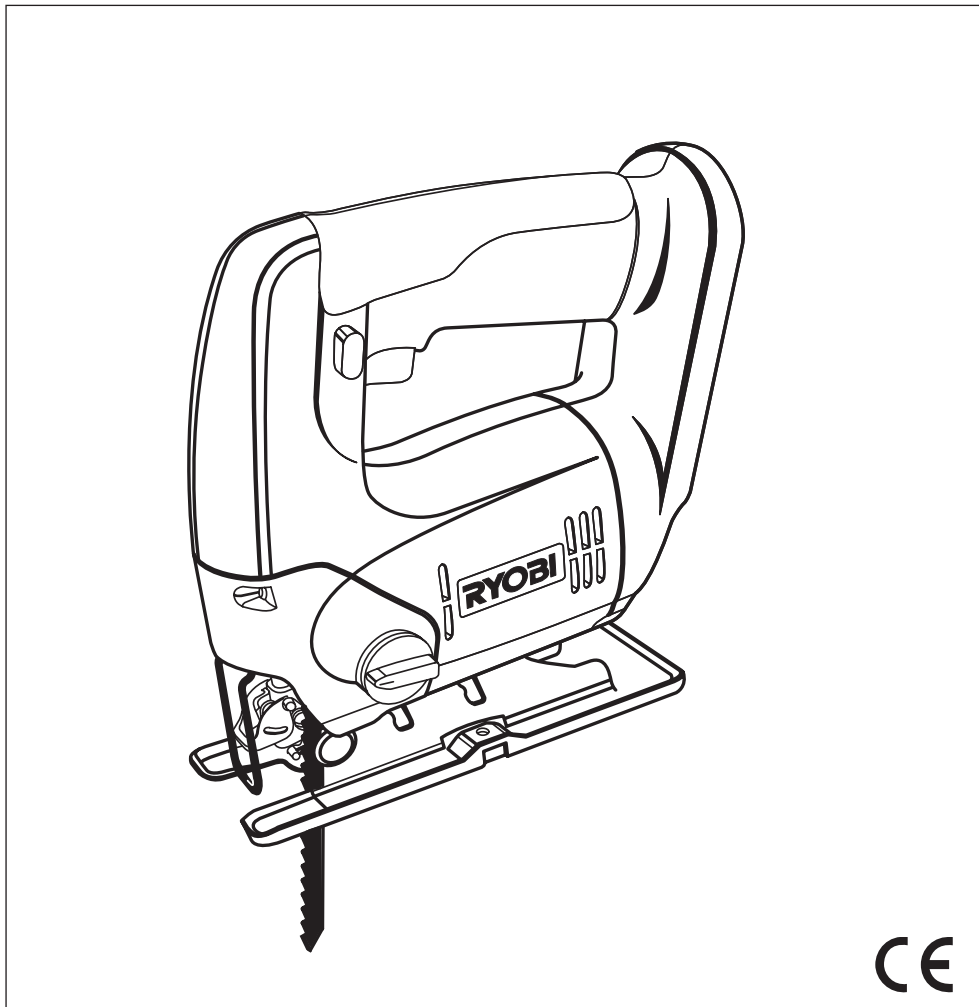
960223559-02



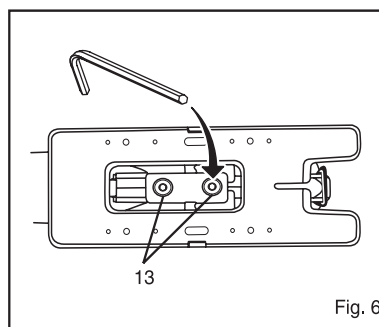
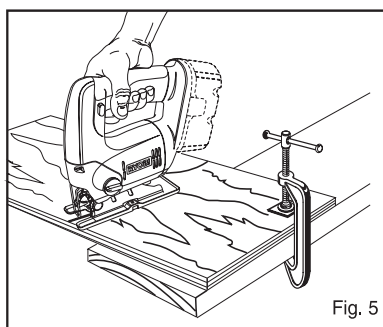
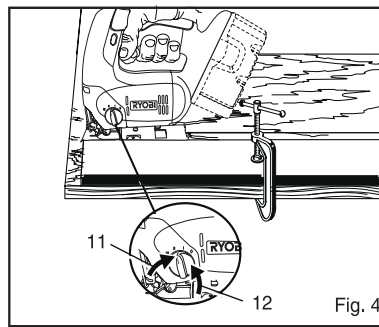
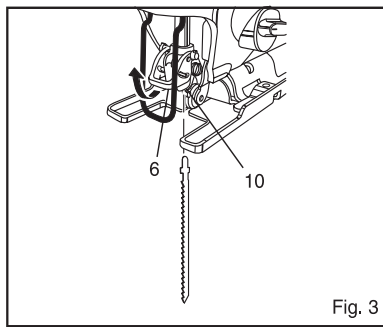
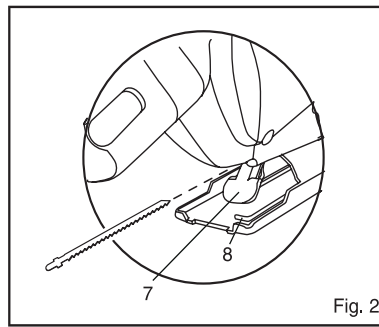
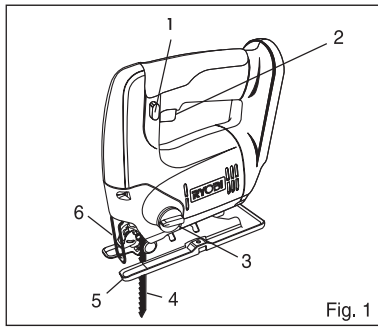
# **RYOBI**<sup>®</sup>

## **CJSP-1801QEOM**

### **CORDLESS ORBITAL JIGSAW OWNER'S OPERATING MANUAL**



**CE**



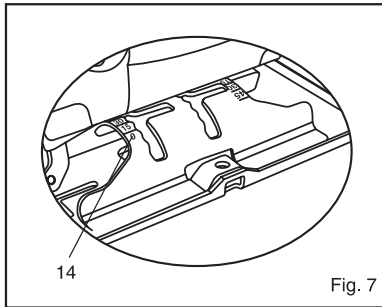


Fig. 7

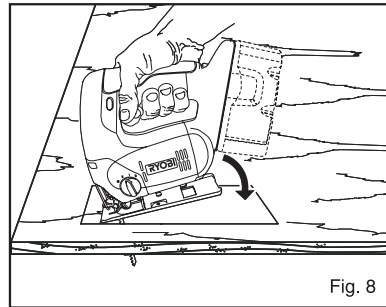


Fig. 8

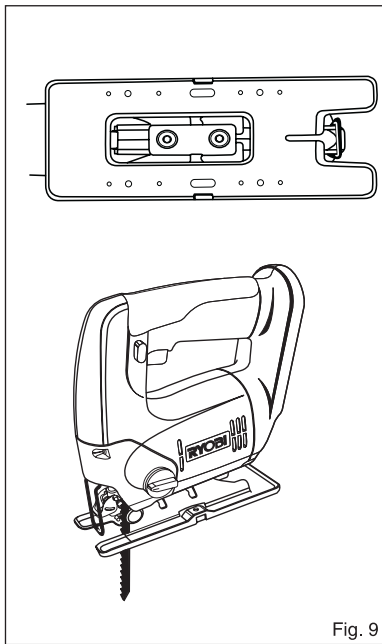


Fig. 9

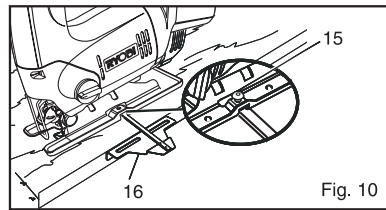


Fig. 10

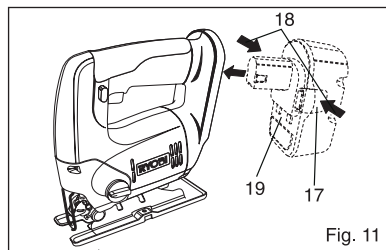


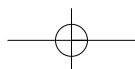
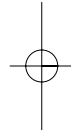
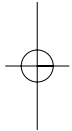
Fig. 11



**Important!**

It is essential that you read the instructions in this manual before mounting and operating this machine.

Subject to technical modifications



## English

### INTRODUCTION

Your orbital jigsaw has many features for making cutting operations more pleasant and enjoyable.

Safety, performance and dependability have been given top priority in the design of this tool making it easy to maintain and operate.



#### CAUTION

Carefully read through this entire owner's manual before using your new tool. Pay close attention to the Rules For Safe Operation, Warnings and Cautions. If you use your tool properly and only for what it is intended, you will enjoy years of safe, reliable service.



#### WARNING

Look for this symbol to point out important safety precautions. It means attention!!! Your safety is involved.



The operation of any power tool can result in foreign objects being thrown into your eyes, which can result in severe eye damage. Before beginning power tool operation, always wear safety goggles or safety glasses with side shields and a full face shield when needed.

### RULES FOR SAFE OPERATION

The purpose of safety symbols is to attract your attention to possible dangers. The safety symbols, and the explanations with them, deserve your careful attention and understanding. The safety warnings do not by themselves eliminate any danger. The instructions or warnings they give are not substitutes for proper accident prevention measures.



#### SAFETY ALERT SYMBOL

Indicates danger, warning, or caution. May be used in conjunction with other symbols or pictographs.



#### DANGER

Failure to obey a safety warning will result in serious injury to yourself or to others. Always follow the safety precautions to reduce the risk of fire, electric shock and personal injury.



#### WARNING

Failure to obey a safety warning can result in serious injury to yourself or to others. Always follow the safety precautions to reduce the risk of fire, electric shock and personal injury.



#### CAUTION

Failure to obey a safety warning may result in serious injury to yourself or to others. Always follow the safety precautions to reduce the risk of fire, electric shock and personal injury.

**NOTE:** Advises you of information or instructions vital to the operation or maintenance of the equipment.



Read the operation manual and follow all warnings and safety instructions.



Wear eye protection and ear protection.



Do not use this machine in wet weather conditions!



Risk of cut or shock - Keep hands away from blade.



#### WARNING

Read all instructions. Failure to follow all instructions listed below may result in electric shock, fire and/or serious injury. The term "power tool" in all of the warnings listed below refers to your mains operated (corded) power tool or battery operated (cordless) power tool.

### SAVE THESE INSTRUCTIONS.

#### WORK AREA

- **Keep work area clean and well lit.** Cluttered and dark areas invite accidents.
- **Do not operate power tools in explosive atmospheres, such as in the presence of flammable liquids, gases, or dust.** Power tools create sparks which may ignite the dust or fumes.
- **Keep children and bystanders away while operating a power tool.** Distractions can cause you to lose control.

#### ELECTRICAL SAFETY

- **Power tool plugs must match the outlet. Never modify the plug in any way. Do not use any adapter plugs with earthed (grounded) power tools.** Unmodified plugs and matching outlets will reduce risk of electric shock.
- **Avoid body contact with earthed or grounded surfaces such as pipes, radiators, ranges and refrigerators.** There is an increased risk of electric shock if your body is earthed or grounded.

## English

### GENERAL SAFETY RULES

- **Do not expose power tools to rain or wet conditions.** Water entering a power tool will increase the risk of electric shock.
- **Do not abuse the cord. Never use the cord for carrying, pulling or unplugging the power tool.** Keep cord away from heat, oil, sharp edges or moving parts. Damaged or entangled cords increase the risk of electric shock.
- **When operating a power tool outdoors, use an extension cord suitable for outdoor use.** Use of a cord suitable for outdoor use reduces the risk of electric shock.

### PERSONAL SAFETY

- **Stay alert, watch what you are doing and use common sense when operating a power tool.** Do not use a power tool while you are tired or under the influence of drugs, alcohol or medication. A moment of inattention while operating power tools may result in serious personal injury.
- **Use safety equipment. Always wear eye protection.** Safety equipment such as dust mask, non-skid safety shoes, hard hat, or hearing protection used for appropriate conditions will reduce personal injuries.
- **Avoid accidental starting. Ensure the switch is in the off position before plugging in.** Carrying power tools with your finger on the switch or plugging in power tools that have the switch on invites accidents.
- **Remove any adjusting key or wrench before turning the power tool on.** A wrench or a key left attached to a rotating part of the power tool may result in personal injury.
- **Do not overreach. Keep proper footing and balance at all times.** This enables better control of the power tool in unexpected situations.
- **Dress properly.** Do not wear loose clothing or jewellery. Keep your hair, clothing and gloves away from moving parts. Loose clothes, jewellery or long hair can be caught in moving parts.
- **If devices are provided for the connection of dust extraction and collection facilities, ensure these are connected and properly used.** Use of these devices can reduce dust related hazards.

### POWER TOOL USE AND CARE

- **Do not force the power tool. Use the correct power tool for your application.** The correct power

tool will do the job better and safer at the rate for which it was designed.

- **Do not use the power tool if the switch does not turn it on and off.** Any power tool that can not be controlled with the switch is dangerous and must be repaired.
- **Disconnect the plug from the power source before making any adjustments, changing accessories, or storing power tools.** Such preventive safety measures reduce the risk of starting the power tool accidentally.
- **Store idle power tools out of the reach of children and do not allow persons unfamiliar with the power tool or these instructions to operate the power tool.** Power tools are dangerous in the hands of untrained users.
- **Maintain power tools.** Check for misalignment or binding of moving parts, breakage of parts and any other condition that may affect the power tools operation. If damaged, have the power tool repaired before use. Many accidents are caused by poorly maintained power tools.
- **Keep cutting tools sharp and clean.** Properly maintained cutting tools with sharp cutting edges are less likely to bind and are easier to control.
- **Use the power tool, accessories and tool bits etc., in accordance with these instructions and in the manner intended for the particular type of power tool, taking into account the working conditions and the work to be performed.** Use of the power tool for operations different from intended could result in a hazardous situation.

### BATTERY TOOL USE AND CARE

- **Ensure the switch is in the off position before inserting battery pack.** Inserting the battery pack into power tools that have the switch on invites accidents.
- **Recharge only with the charger specified by the manufacturer.** A charger that is suitable for one type of battery pack may create a risk of fire when used with another battery pack.
- **Use power tools only with specifically designated battery packs.** Use of any other battery packs may create a risk of injury and fire.
- **When battery pack is not in use, keep it away from other metal objects like paper clips, coins, keys, nails, screws, or other small metal objects that can make a connection from one terminal to another.** Shorting the battery terminals together may cause burns or a fire.



## English

### GENERAL SAFETY RULES

- Under abusive conditions, liquid may be ejected from the battery; avoid contact. If contact accidentally occurs, flush with water. If liquid contacts eyes, additionally seek medical help. Liquid ejected from the battery may cause irritation or burns.

### SERVICE

- Have your power tool serviced by a qualified repair person using only identical replacement parts. This will ensure that the safety of the power tool is maintained.

### PRODUCT SPECIFICATIONS

Motor	18 V ==
Switch	Variable Speed
No Load Speed	0-2100 min <sup>-1</sup>
Maximum Cutting Thickness (wood)	40 mm
Blade Stroke	25.4 mm
Shank capacity	6.35 mm
Battery Pack (Not included)	BPP-1817M/BPP-1815M
Charger (Not included)	BC-1815-S / BC-1800

**NOTE:** This tool is only designed to work with T shank blades, other types of saw blades are not guaranteed to work properly.

### DESCRIPTION

#### KNOW YOUR ORBITAL JIGSAW.

- LOCK-OFF BUTTON
- TRIGGER SWITCH
- ORBITAL ADJUSTMENT KNOB
- SAW BLADE
- BASE
- BLADE GUARD
- BLADE STORAGE AREA
- HEX KEY
- BLADE CLAMP
- BLADE CLAMP LOCK
- TO DECREASE ORBITAL SPEED
- TO INCREASE ORBITAL SPEED
- BASE PIVOT SCREWS
- SCALE
- EDGE GUIDE SCREW
- EDGE GUIDE
- LATCH

- DEPRESS LATCH TO RELEASE BATTERY PACK
- BATTERY PACK (NOT INCLUDED)

### FEATURES

Before attempting to use your Orbital jigsaw familiarize yourself with all operating features and safety requirements.



#### WARNING

Carefully read through this entire owner's manual before using your new tool. Pay close attention to the Rules For Safe Operation, Warnings and Cautions. If you use your orbital jigsaw properly and only for what it is intended, you will enjoy years of safe, reliable service.



#### WARNING

If any parts are missing, do not operate your saw until the missing parts are replaced. Failure to do so could result in possible serious personal injury.



#### WARNING

Ensure that the battery pack is correct for the tool.



#### WARNING

Do not allow familiarity with your saw to make you careless. Remember that a careless fraction of a second is sufficient to inflict severe injury.

### LOCK-OFF BUTTON

Your saw is equipped with a "lock-off" button which reduces the possibility of accidental starting. The lockoff button is located on the handle above the switch trigger. You must depress the lock-off button in order to pull the switch trigger. The lock resets each time the trigger is released. Note: You can depress the lock-off button from either the left or right side.

### SWITCH

To turn your saw ON, depress the lock-off button and pull switch trigger. Release switch trigger to turn your saw OFF.

### VARIABLE SPEED

This tool has a variable speed switch that delivers higher speed with increased trigger pressure. Speed is controlled by the amount of switch trigger depression.

## English

### FEATURES

#### BLADE AND HEX KEY STORAGE

See Figure 2.

As shown in Figure 2, the blade storage area is located on the back of your saw and the hex key storage area is located on the base. They are convenient for storing extra blades, storing blades when not in use, and storing the hex key provided with your saw.

#### BLADE STORAGE AREA

- **To open:** Push the flap down with your finger.
- Place blades in blade storage area.
- **To close:** Push the flap up with your finger.

### ASSEMBLY

#### TO INSTALL BLADES

See Figure 3.

- Remove battery pack.



#### WARNING

Failure to remove battery pack from saw could result in accidental starting causing possible serious personal injury.

- Lift blade clamp lock / release lever located on front of saw.
- Insert saw blade between blade clamp and saw bar.
- Lock blade clamp lever.
- Replace battery pack.



#### WARNING

Always remove battery pack from your saw when you are assembling parts, making adjustments, assembling or removing blades, cleaning, or when not in use. Removing battery pack will prevent accidental starting that could cause serious personal injury.

#### TO INSTALL BATTERY PACK (NOT INCLUDED)

See Figure 11.

- Align raised rib on battery pack with groove in battery port.
- Make sure the latch of your battery pack snap in place and battery pack is secured in saw before beginning operation.



#### CAUTION

When placing battery pack in your saw, be sure raised rib inside saw aligns with groove on battery pack and latch snap in place properly. Improper assembly of battery pack can cause damage to internal components.

#### TO REMOVE BATTERY PACK (NOT INCLUDED)

See Figure 11.

- Locate latches of battery pack and depress to release the battery pack.

### OPERATION

#### GENERAL CUTTING

See Figure 4.

Rest the front of the saw base on the workpiece and align cutting edge of the blade with the line on your workpiece. Start your saw and move it forward on the work surface. Apply downward pressure to keep the saw steady and only enough forward pressure to keep the blade cutting.



#### DO NOT FORCE YOUR SAW

Forcing your saw may overheat the motor and break saw blades.

#### ORBITAL MOTION

See Figure 4.

The blade of your saw cuts in orbital motion. This feature is adjustable and provides faster more efficient cutting. With orbital motion the blade cuts through your work in the upstroke but does not drag across your work in the downstroke. The higher settings should be used when fast cutting in soft material is desired. The lower settings should be used when cutting materials with more resistance.

#### STRAIGHT CUT

See Figure 4.

A straight cut can be made by clamping a piece of wood or straightedge to the workpiece and guiding the edge of your saw against it. Make the cut from one direction only: don't cut halfway and complete the cut from the opposite end.

#### SCROLL CUTTING

See Figure 5.

Scroll cuts can be made with your jigsaw by guiding the direction of the cut with applied pressure on the handle as shown in Figure 5.



#### WARNING

Excessive side pressure to the blade could result in broken blades or damage to the material being cut.

## English

### OPERATION

#### BEVEL CUTTING

See Figures 6 and 7.

Bevel cutting angles may be adjusted from 0° to 45° right or left. Angles for cuts from 0° to 45° in 15° increments are marked on a scale on both the left and right side of the base. Notches on the rear of the base provide positive stops at each of the above mentioned 15° increments. A protractor is recommended when accurate cuts are required.

- Using the 3 mm hex key provided, loosen the base pivot screws until the base can be moved.
- Slide base forward until base pivot screws can move freely in slots in base. See Figure 6.
- Align the mark, on the base, of the desired angle with the edge of the motor housing.
- Once the desired angle is reached, slide base back until tab on motor housing aligns with the appropriate notch on rear of base. See Figure 7.

**NOTE:** When making a set-up for accurate cuts with a protractor, or for angles other than the preset 15° increments, the positive stop notches on the rear of the base are not used.

- Tighten the base pivot screws securely.

**NOTE:** The wide slot in the base must be used when making bevel cuts, scroll cuts, plunge cuts, and when cutting metal.

#### PLUNGE CUTTING

See Figure 8.



#### WARNING

To avoid loss of control, broken blades, or damage to the material being cut, always use extreme caution when making plunge cuts. We do not recommend plunge cutting on materials other than wood.

#### TO MAKE A PLUNGE CUT

- Mark the line of cut clearly on the workpiece.
- Set the cutting angle at 0°.
- Tilt your saw forward so that it rests on the front edge of the base and blade will not come in contact with the workpiece when the saw is turned on.
- Make sure the blade is inside the area to be cut.
- Using high speed, start your saw and slowly lower the blade into the workpiece until the blade cuts through the wood. See Figure 8.
- Continue lowering the blade into the workpiece until the base rests flat on the work surface, then move the saw forward to complete the opening.

#### SPLINTER-FREE CUTTING

See Figure 9.

The base of your jig saw has a narrow slot to permit splinter-free cutting. It is especially useful when cutting plywood. This feature should only be used when making straight cuts or circle cuts. It is not for bevel cutting or plunge cutting.

**NOTE:** The non-orbital setting also helps reduce splintering when cutting plywood.

#### HOW TO POSITION BASE IN THE SPLINTER-FREE CUTTING POSITION

- Remove battery pack.
- Using the 3 mm hex key provided, loosen base pivot screws and slide base forward. See Figure 9.
- Always set the cutting angle at 0° for splinter-free cutting. To set cutting angle at 0°, align the 0° mark on the scale with the edge of the motor housing.

**NOTE:** When setting angle at 0° for splinter-free cutting, the positive stop notches on the rear of the base are not used.

- Tighten base pivot screws securely.
- Remove hex key and return it to storage compartment.
- Replace battery pack.

#### EDGE GUIDE

See Figure 10.

An edge guide is available for use with your saw. It can be used for making crosscuts and rip cuts.

Remove battery pack. Insert the arm through the two slots in the base of your saw as shown in Figure 10. Adjust edge guide to the desired width and lock in place with the edge guide screw.

### MAINTENANCE



#### WARNING

When servicing, use only Ryobi replacement parts. Use of any other part may create a hazard or cause product damage.

Avoid using solvents when cleaning plastic parts. Most plastics are susceptible to damage from various types of commercial solvents and may be damaged by their use. Use clean cloths to remove dirt, carbon dust, etc.



#### WARNING

Do not at any time let brake fluids, petrol, petroleum-based products, penetrating oils, etc. come in contact with plastic parts. They contain chemicals that can damage, weaken or destroy plastic.

## English

### MAINTENANCE

**DO NOT** abuse power tools. Abusive practices can damage tool as well as workpiece.



#### **WARNING**

Do not attempt to modify this tool or create accessories not recommended for use with this tool. Any such alteration or modification is misuse and could result in a hazardous condition leading to possible serious personal injury.

Have your tool repaired by a qualified person. This tool is in accordance with the relevant safety requirements, repairs should only be carried out by qualified person, otherwise this may result in considerable danger to the user.

## GUARANTEE - STATEMENT

This product is guaranteed from defects in material and workmanship, for a period of twenty-four (24) months, effective and evidenced from date of original invoice or delivery note.

Defects caused by normal wear and tear, unauthorized / improper maintenance/handling or overload are excluded from this guarantee as are accessories such as battery packs, bulbs, blades and bits, etc.

In the event of malfunction within the guarantee period, please return the product UNDISMANTLED with proof of purchase, to your dealer or nearest Ryobi Service Centre.  
Your statutory rights in respect of defective products remain unaffected by the warranty.

### DECLARATION OF CONFORMITY

We declare under our sole responsibility that this product is in conformity with the following standards or standardised documents.  
89/336/EEC, 98/37/EC, EN50260, EN55014, EN61000 EN60745

<b>Sound pressure level</b>	81 dB (A)
<b>Sound power level</b>	92 dB (A)
<b>Weighted root mean Square acceleration value</b>	11.5 m/s <sup>2</sup>

Machine: **CORDLESS ORBITAL JIGSAW**

Type: **CJSP-1801QEOM**

Name of company: RYOBI TECHNOLOGIES (UK) LIMITED. Name/Title:  
Address: ANVIL HOUSE, TUNS LANE,  
HENLEY-ON-THAMES,  
OXFORDSHIRE, RG9 1SA  
UNITED KINGDOM  
Tel: +44-1491-848700 Fax: +44-1491-848701

Mark Pearson  
Managing Director

Signature:



